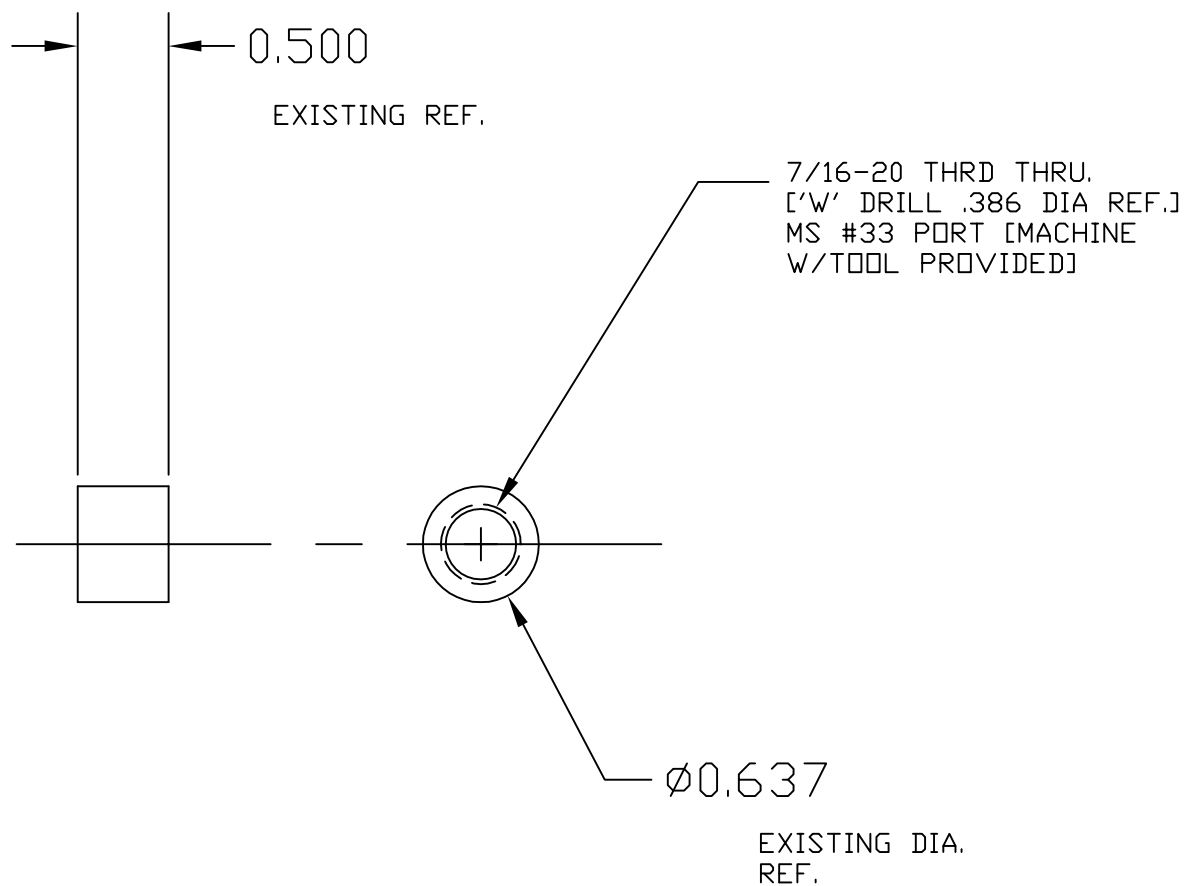


NOTES: (UNLESS OTHERWISE SPECIFIED)

MATERIAL: THREADED FITTING SUPPLIED  
MC MASTER CARR 4452 K511

MODIFY AS SHOWN



REV.	DATE	DCN #	DRAWING TREE #
A	4/21/04	E040214-00-D	

ITEM NO.	REQ.	SPARE	TOT. QUANTITY	PART NUMBER	DESCRIPTION	SUPPLIER
PARTS LIST						
UNLESS OTHERWISE SPECIFIED: DIMENSIONS ARE IN INCHES				DRAWN	DATE	NAME
TOLERANCES: .XX±: .XXX±: ANGULAR:±				CHECKED	4/21/04	KENM
MATERIAL SEE NOTE				LIGO CALIFORNIA INSTITUTE OF TECHNOLOGY MASSACHUSETTS INSTITUTE OF TECHNOLOGY		
FINISH N/A				SYSTEM EPI		
				SUB-SYSTEM HEPI		
				NEXT ASSY TBD		
				PART NAME MANIFOLD SENSOR FITTING		
				SIZE	DWG. NO.	REV
				B	D030578-A	A
				SCALE:	SHEET 1 OF 1	