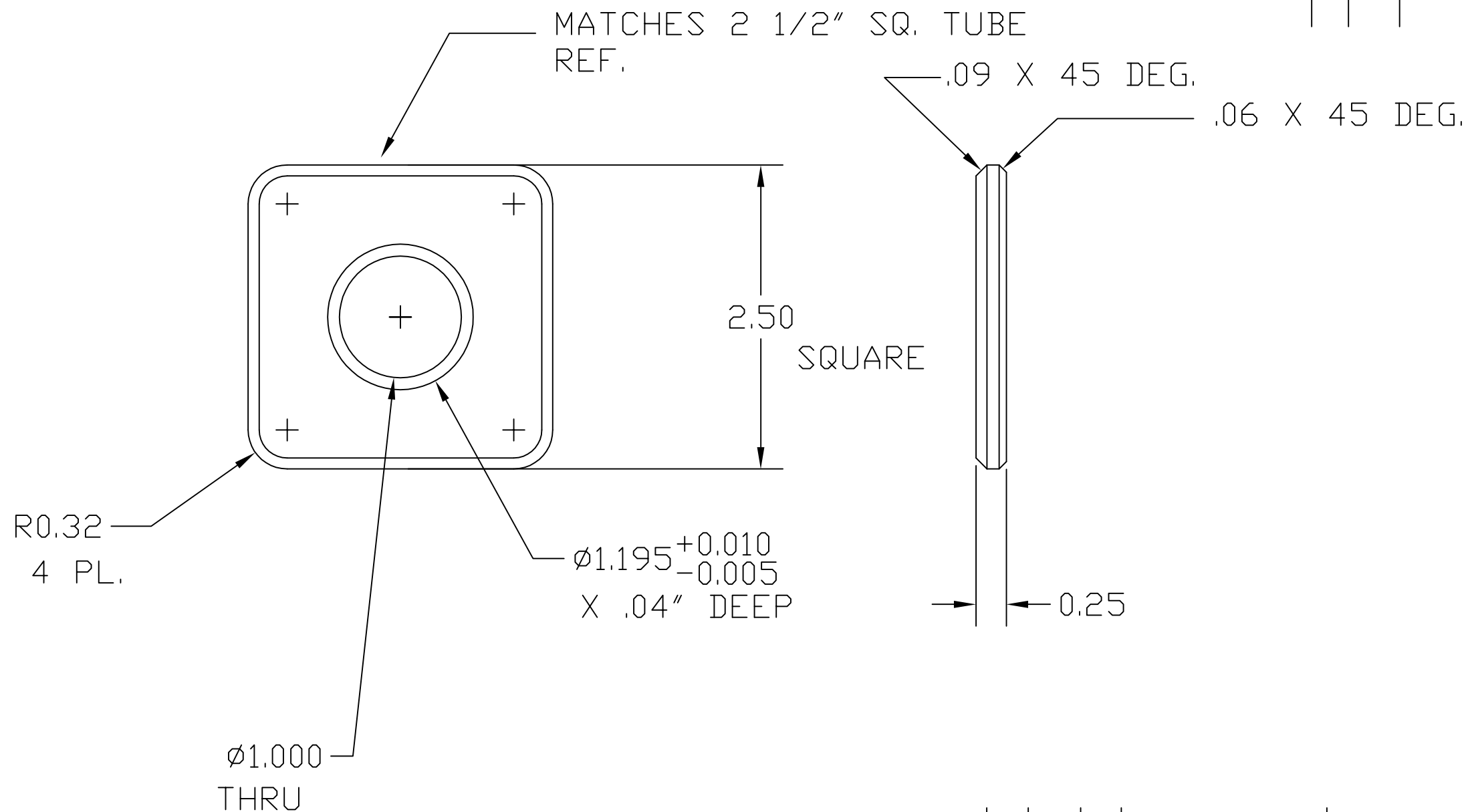


NOTES: (UNLESS OTHERWISE SPECIFIED)

REV.	DATE	DCN #	DRAWING TREE #
A	4/21/04	E040214-00-D	



304 STAINLESS STEEL
MAKE 1 PER ASSEMBLY

ITEM NO.	REQ.	SPARE	TOT. QUANTITY	PART NUMBER	DESCRIPTION	SUPPLIER
PARTS LIST						
UNLESS OTHERWISE SPECIFIED: DIMENSIONS ARE IN INCHES				DATE	NAME	LIGO CALIFORNIA INSTITUTE OF TECHNOLOGY MASSACHUSETTS INSTITUTE OF TECHNOLOGY
TOLERANCES: .XX±: .XXX±: ANGULAR:±				DRAWN	4/21/04	KENM
MATERIAL 303 STAINLESS MC MASTER 9084K683				CHECKED		
FINISH N/A				COMMENTS:		SYSTEM LLO
						SUB-SYSTEM HEPI
						NEXT ASSY TBD
						PART NAME LLO PUMP STATION MANIFOLD END PLATE-VCD
				SIZE	DWG. NO.	REV
				B	D030723-A	A
				SCALE:	SHEET 1 OF 1	