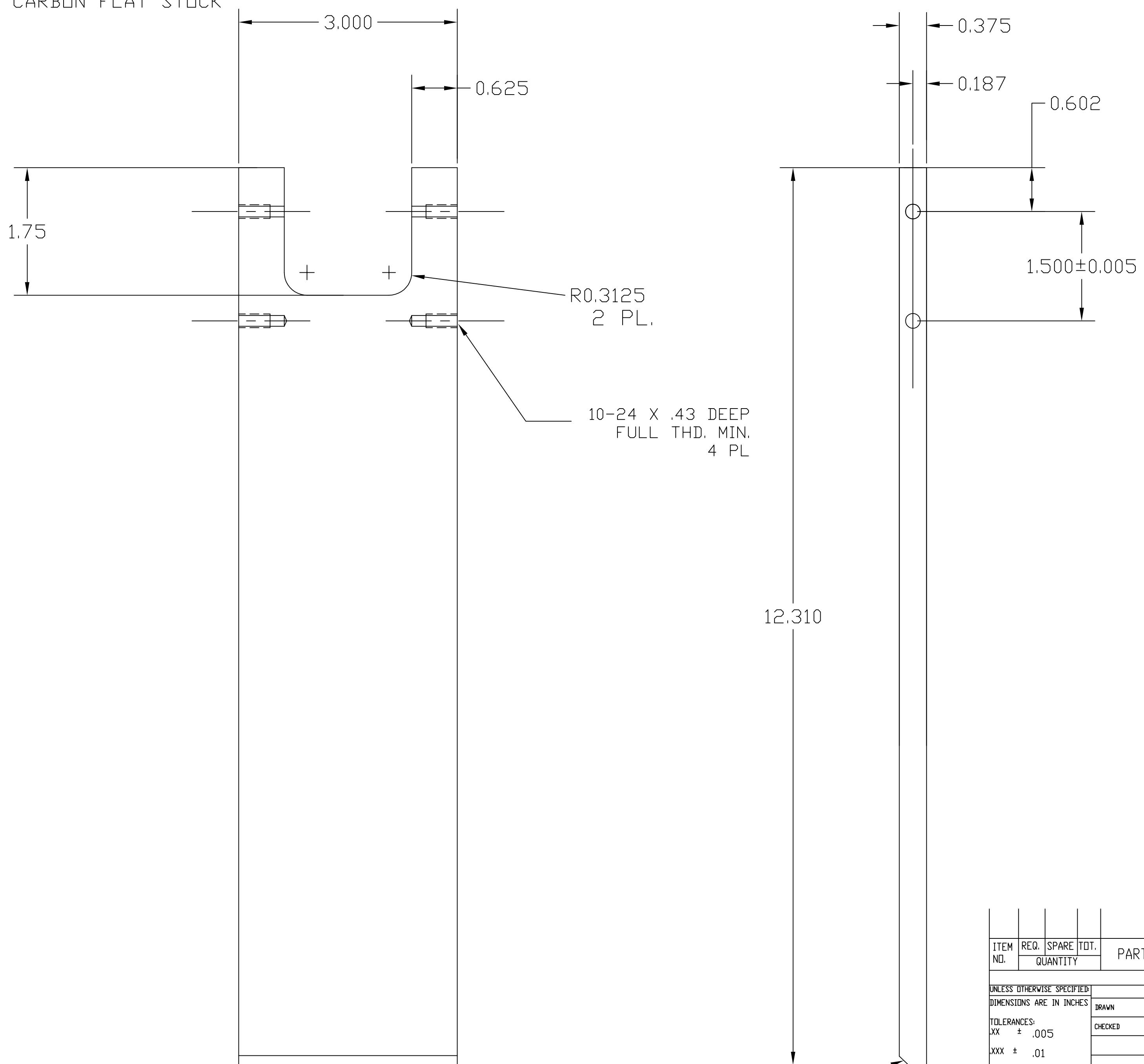


NOTES: (UNLESS OTHERWISE SPECIFIED)
 MAKE 1 PART PER ASSEMBLY
 LOW CARBON FLAT STOCK

REV.	DATE	DCN #	DRAWING TREE #
A	4-21-04	E040214-00-D	



.125 X 45 DEG.
 2 PL.

ITEM NO.	REQ. QUANTITY	SPARE	TOT. QUANTITY	PART NUMBER	DESCRIPTION	SUPPLIER
PARTS LIST						
UNLESS OTHERWISE SPECIFIED: DIMENSIONS ARE IN INCHES				DATE	NAME	
TOLERANCES: XX ± .005 XXX ± .01 ANGULAR ± 3 DEG				DRAWN	4/21/04	KENM
MATERIAL: SEE NOTE				CHECKED		
FINISH: NICKEL PLT.				COMMENTS:		
				SIZE	DWG. NO.	REV
				C	D030752-A	A
				SCALE:	SHEET 1 OF 1	

LIGO CALIFORNIA INSTITUTE OF TECHNOLOGY
 MASSACHUSETTS INSTITUTE OF TECHNOLOGY
 SYSTEM LLO
 SUB-SYSTEM HEPI
 NEXT ASSY N/A
 PART NAME FILTER BRACKET STANDOFF