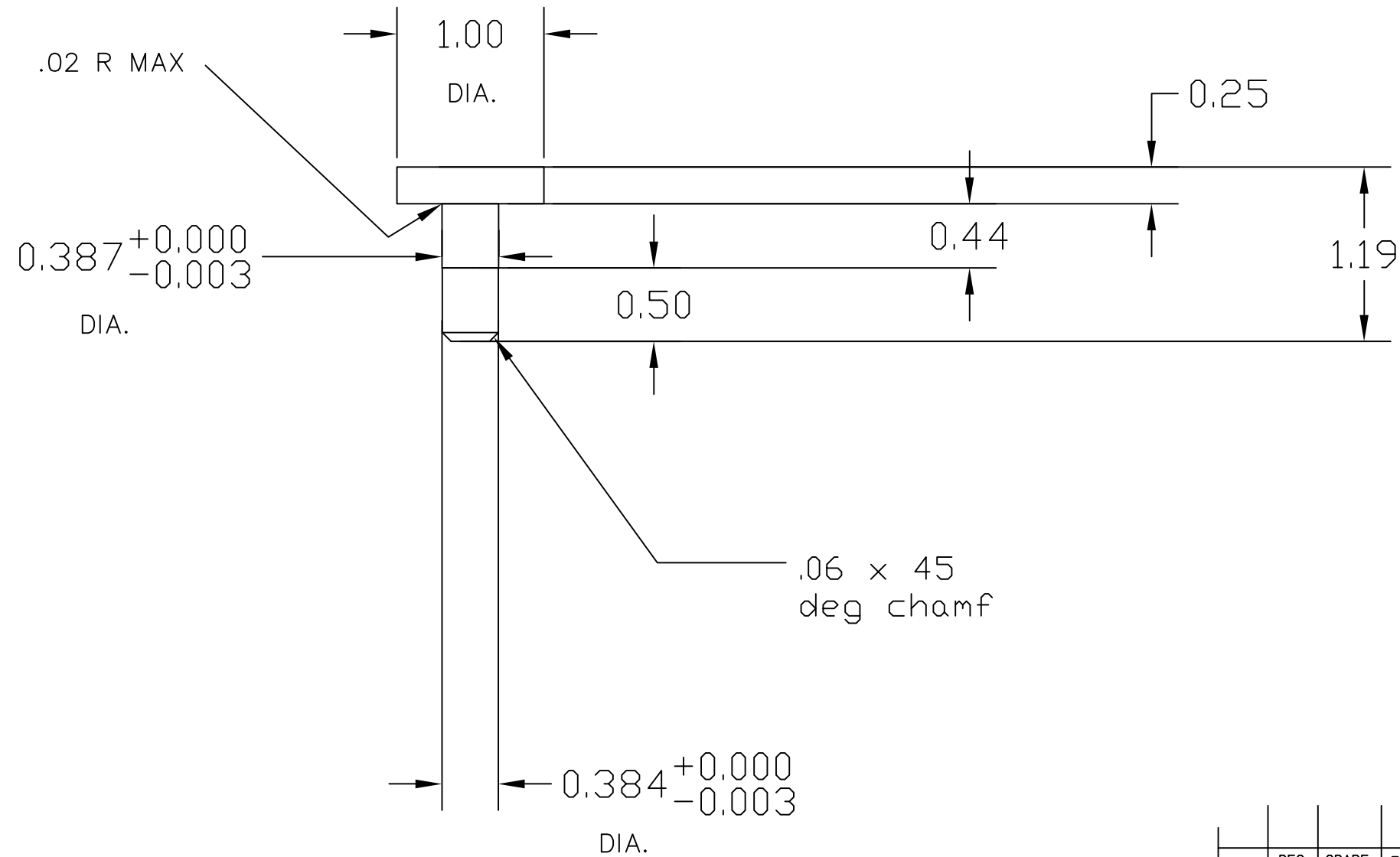


NOTES: (UNLESS OTHERWISE SPECIFIED)

MATERIAL: COPPER
MAKE 4 TOTAL

REV.	DATE	DCN #	DRAWING TREE #
A	4/21/04	E040214-00-D	



ITEM NO.	REQ.	SPARE	TOT.	PART NUMBER	DESCRIPTION	SUPPLIER
					PARTS LIST	
UNLESS OTHERWISE SPECIFIED:				DATE	NAME	
DIMENSIONS ARE IN INCHES				DRAWN	4/21/04	KENM
TOLERANCES:				CHECKED		
.XX±:						
.XXX±:						
ANGULAR:±						
MATERIAL				COMMENTS:		
SEE NOTE						
FINISH				N/A		
				SCALE:		
				SIZE	DWG. NO.	REV
				B	D030763-A	A
						SHEET 1 OF 1