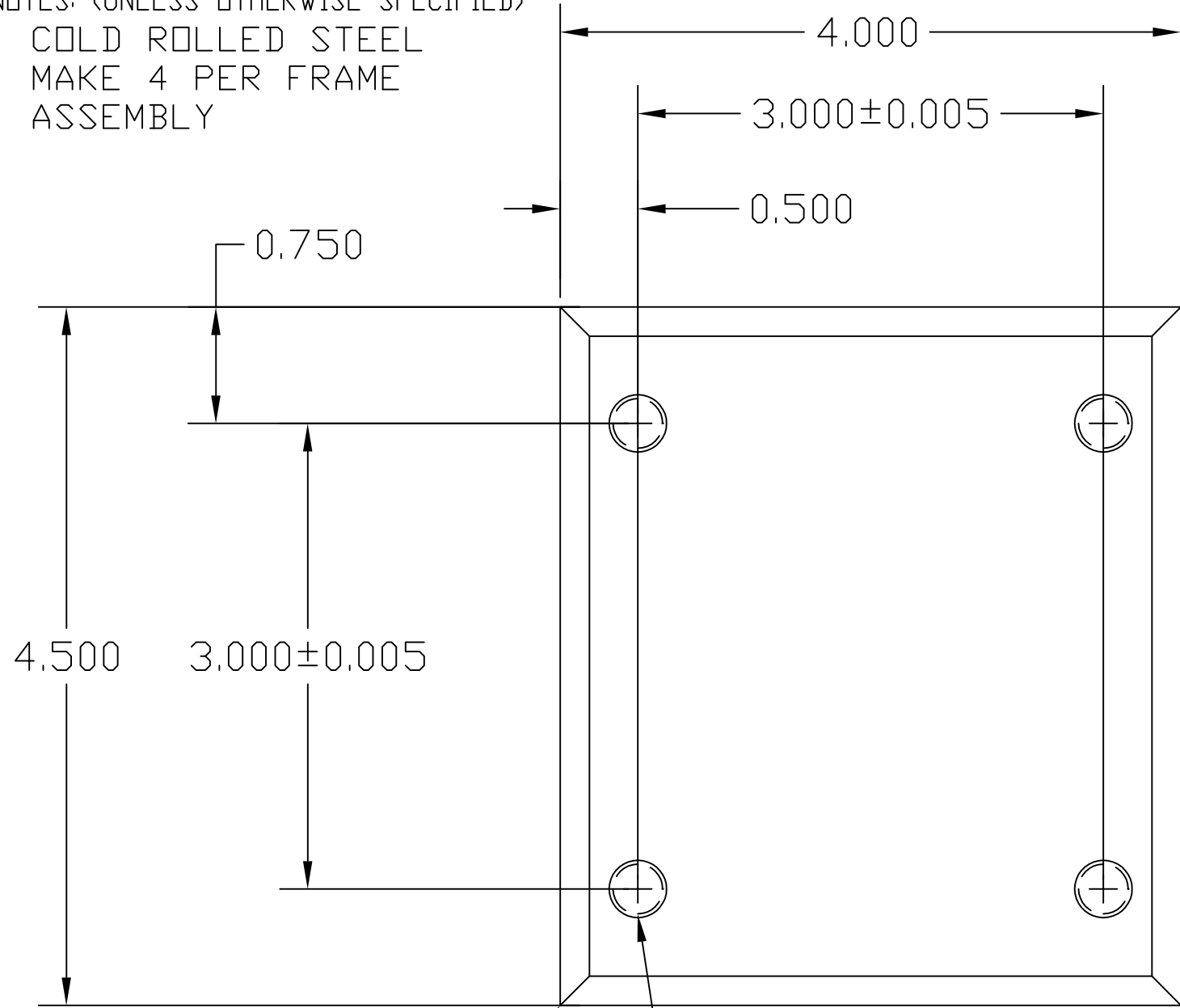


NOTES: (UNLESS OTHERWISE SPECIFIED)  
 COLD ROLLED STEEL  
 MAKE 4 PER FRAME  
 ASSEMBLY




0.500  
 STOCK

BREAK  
 SHARP  
 CORNER TYP

.18 x 45  
 Deg Chamf

3/8-16  
 THRU  
 4PL.

REV.	DATE	DCN #	DRAWING TREE #
A	4/21/04	E040214-00-D	

ITEM NO.	REQ.	SPARE	TOT. QUANTITY	PART NUMBER	DESCRIPTION	SUPPLIER
PARTS LIST						
UNLESS OTHERWISE SPECIFIED: DIMENSIONS ARE IN INCHES				DRAWN	DATE	NAME
TOLERANCES: .XX±: .XXX±: ANGULAR:±				CHECKED	4/21/04	KENM
MATERIAL SEE NOTE				 CALIFORNIA INSTITUTE OF TECHNOLOGY MASSACHUSETTS INSTITUTE OF TECHNOLOGY SYSTEM LLO SUB-SYSTEM HEPI NEXT ASSY TBD PART NAME CASTER PLATE		
FINISH N/A						
				SIZE	DWG. NO.	REV
				B	D030764-A	A
				SCALE:	SHEET 1 OF 1	