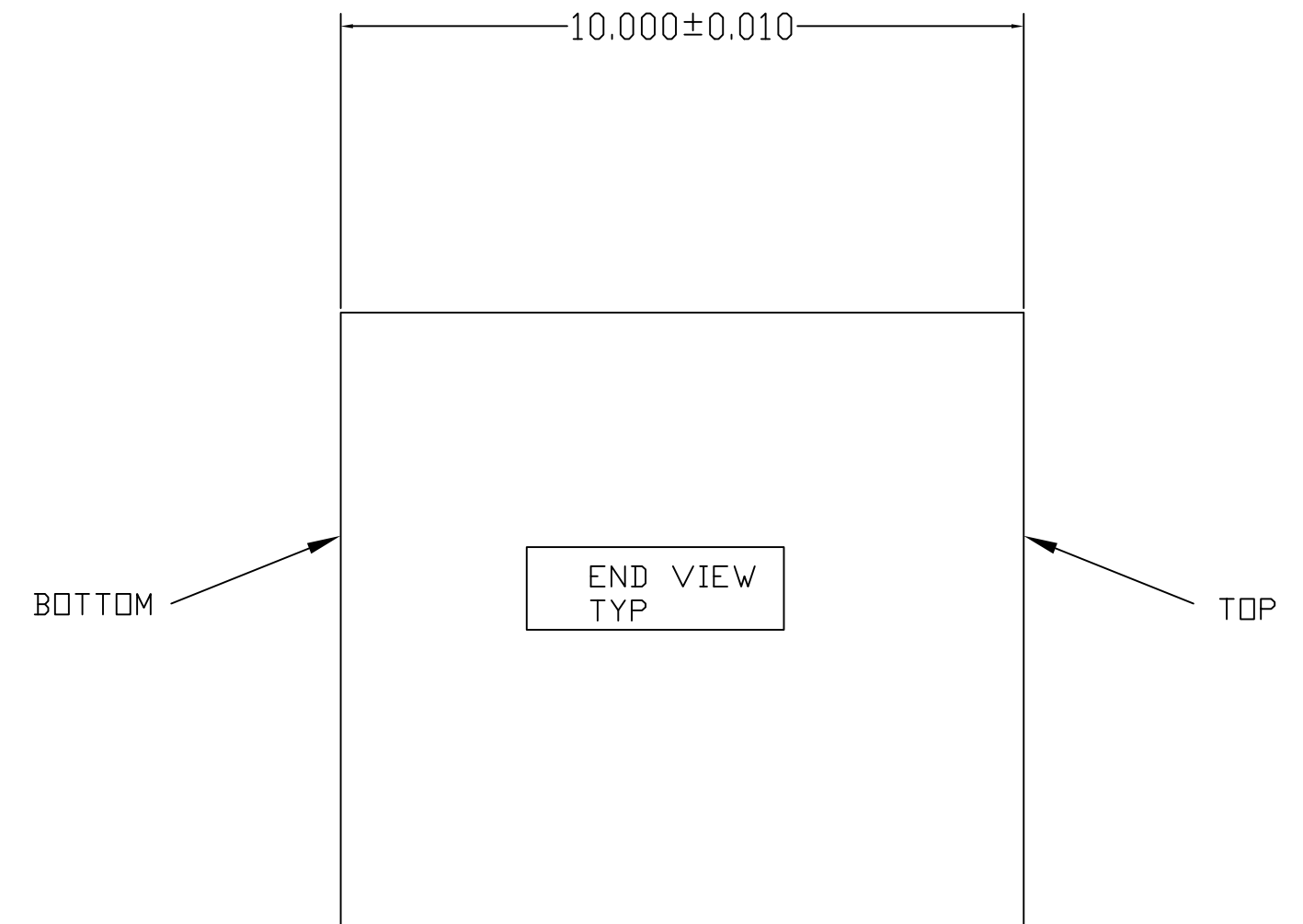
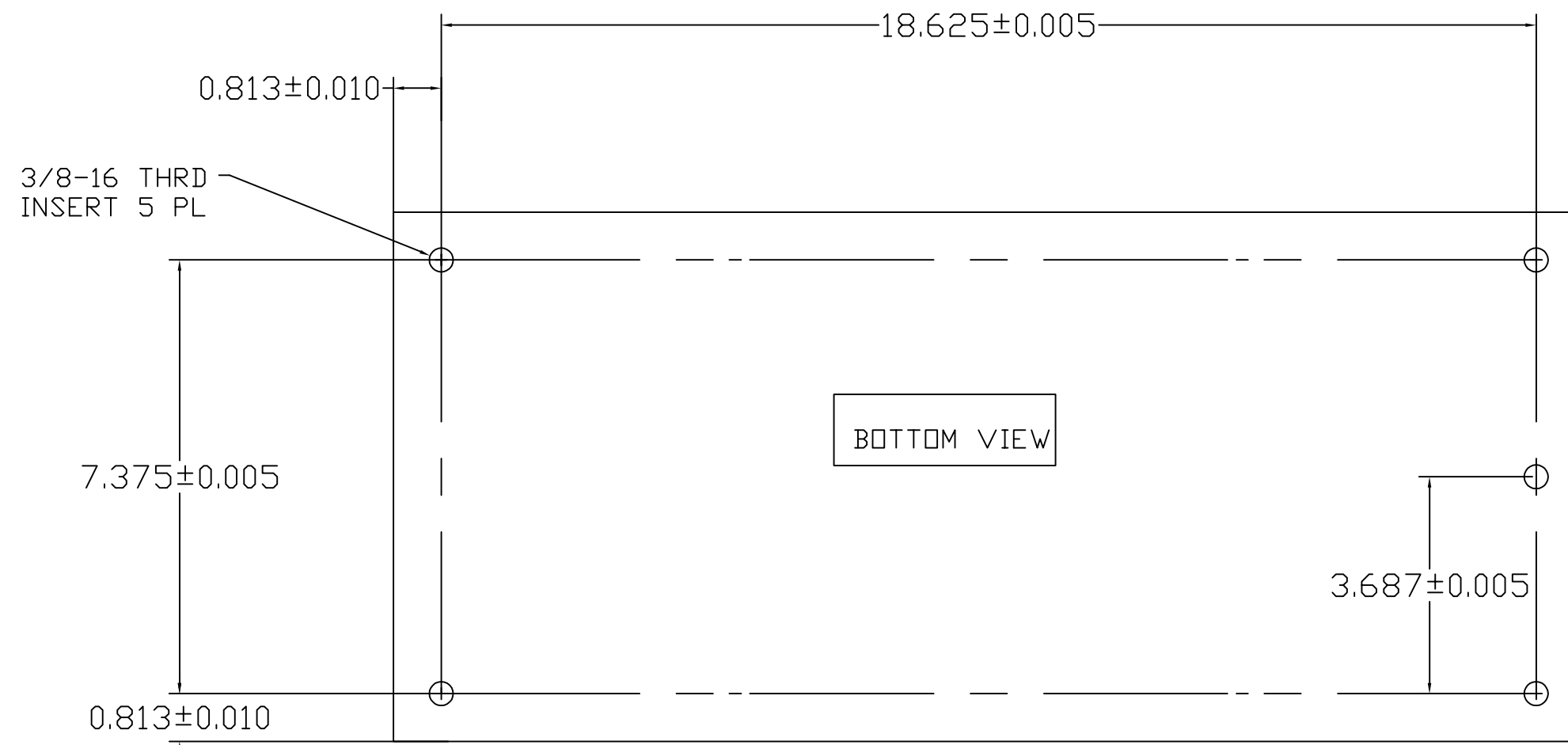
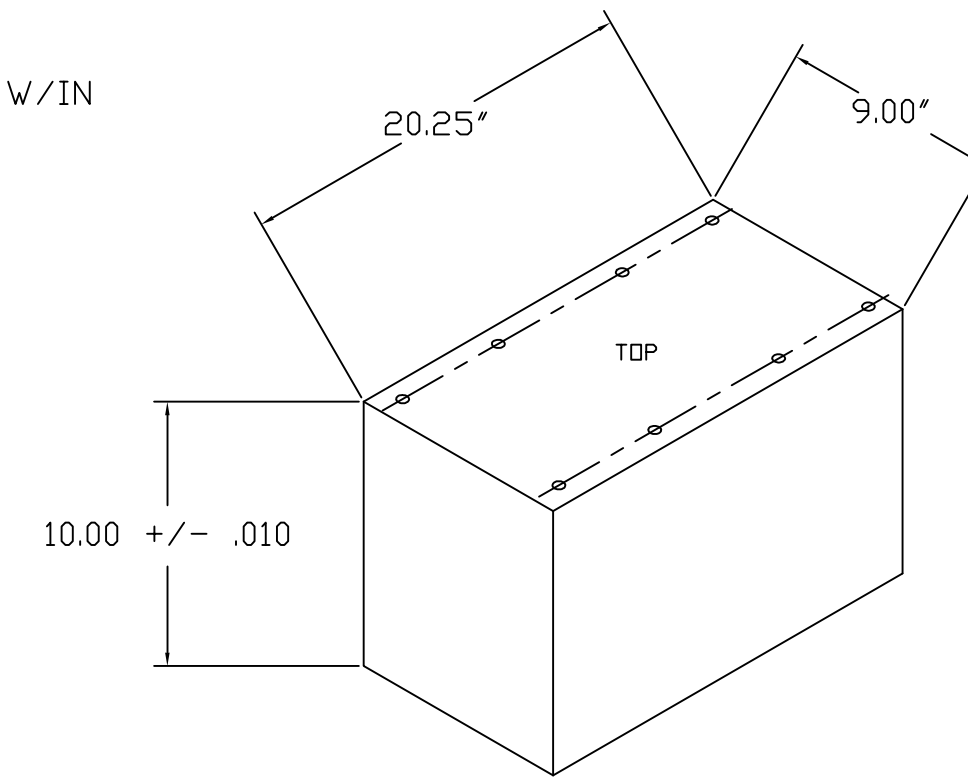
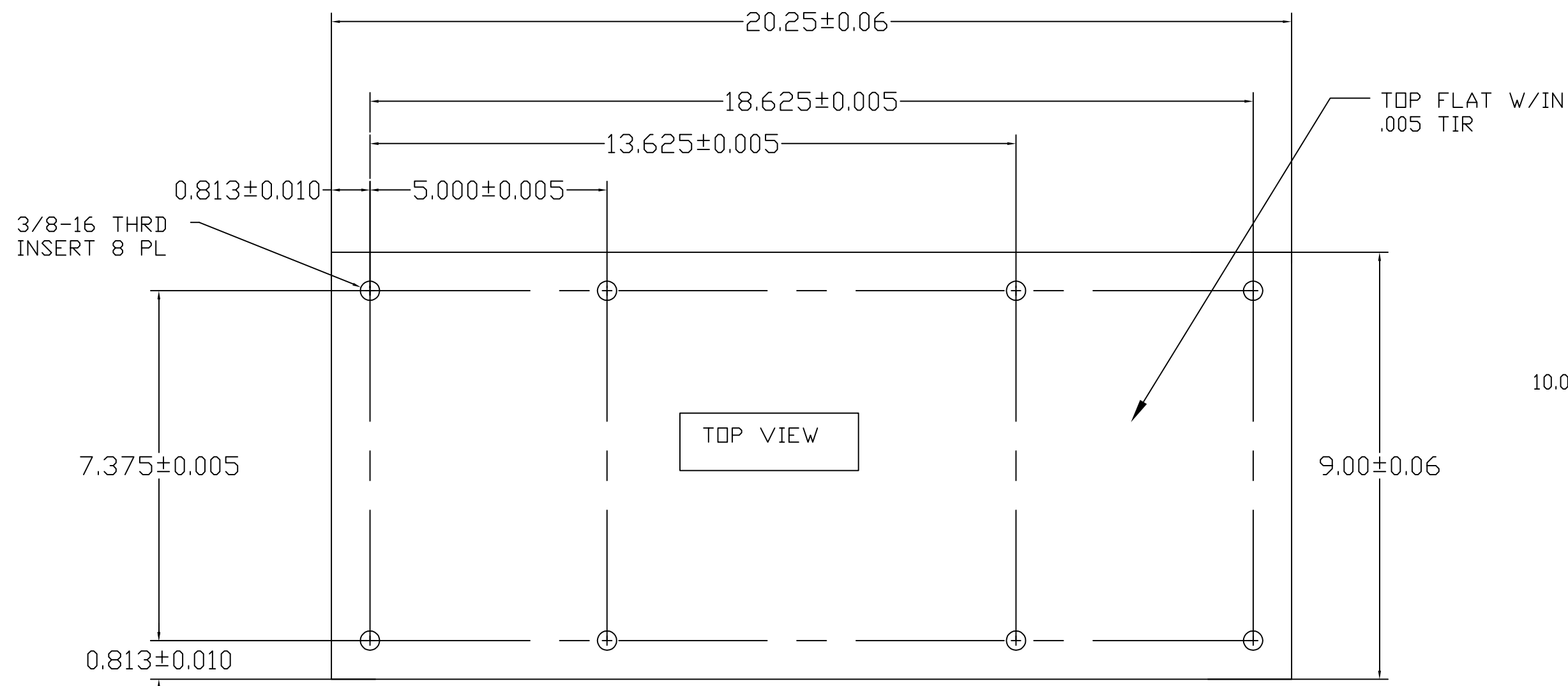


NOTES: (UNLESS OTHERWISE SPECIFIED)  
 MAKE 1 PER ASSEMBLY  
 REF WT. APPROX 185 LBS

| REV. | DATE   | DCN #        | DRAWING TREE # |
|------|--------|--------------|----------------|
| A    | 4/21/4 | E040214-00-D |                |
|      |        |              |                |
|      |        |              |                |



BLACK GRANITE

| UNLESS OTHERWISE SPECIFIED: |               |       |         | PARTS LIST                             |         |  |              |
|-----------------------------|---------------|-------|---------|--|---------|--|--------------|
| DIMENSIONS ARE IN INCHES    |               |       |         | DATE                                   | NAME    | LIGO CALIFORNIA INSTITUTE OF TECHNOLOGY<br>MASSACHUSETTS INSTITUTE OF TECHNOLOGY |              |
| TOLERANCES:                 |               |       |         | DRAWN                                  | 4/21/04 | KENM   |              |
| XX                          | ±             | .005  | CHECKED |  |         | SYSTEM   | LASTI        |
| XXX                         | ±             | .01   |         |  |         | SUB-SYSTEM   | LLD          |
| ANGULAR±                    |               | 3 DEG |         |  |         | NEXT ASSY  | HEPI         |
| MATERIAL:                   | BLACK GRANITE |       |         | PART NAME LLD PUMPSTATION GRANITE BASE |         |  |              |
| FINISH:                     | NONE          |       |         | COMMENTS:                              | SIZE    | DWG. NO.   | REV          |
|                             |               |       |         |  | C       | D030781-A  | A            |
|                             |               |       |         |  | SCALE:  |  | SHEET 1 OF 1 |