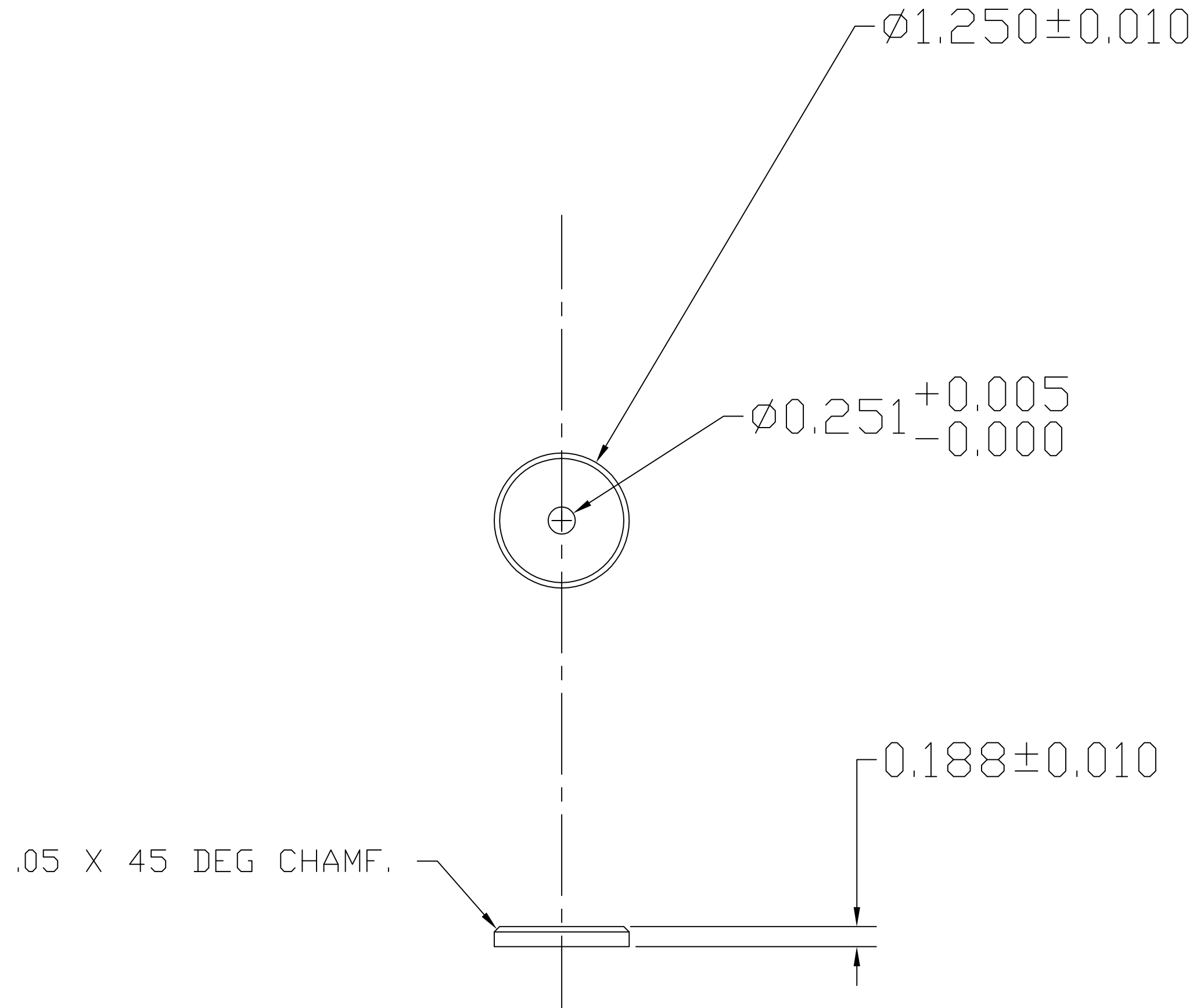


NOTES: (UNLESS OTHERWISE SPECIFIED)

MAKE 4 PER PUMP STATION

REV.	DATE	DCN #	DRAWING TREE #
A	4-21-04	E040214-00-D	



ITEM NO.	REQ. QUANTITY	SPARE	TOT. QUANTITY	PART NUMBER	DESCRIPTION	SUPPLIER
PARTS LIST						
UNLESS OTHERWISE SPECIFIED:				DATE	NAME	
DIMENSIONS ARE IN INCHES				DRAWN	4/21/04	KENM
TOLERANCES:				CHECKED		
XX	±	.005				
XXX	±	.01				
ANGULAR	±	3 DEG				
MATERIAL:	MILD STEEL			COMMENTS:		
FINISH:	NICKEL PLATE					
SIZE	DWG. NO.	D030790-A		REV	A	
SCALE:				SHEET 1 OF 1		