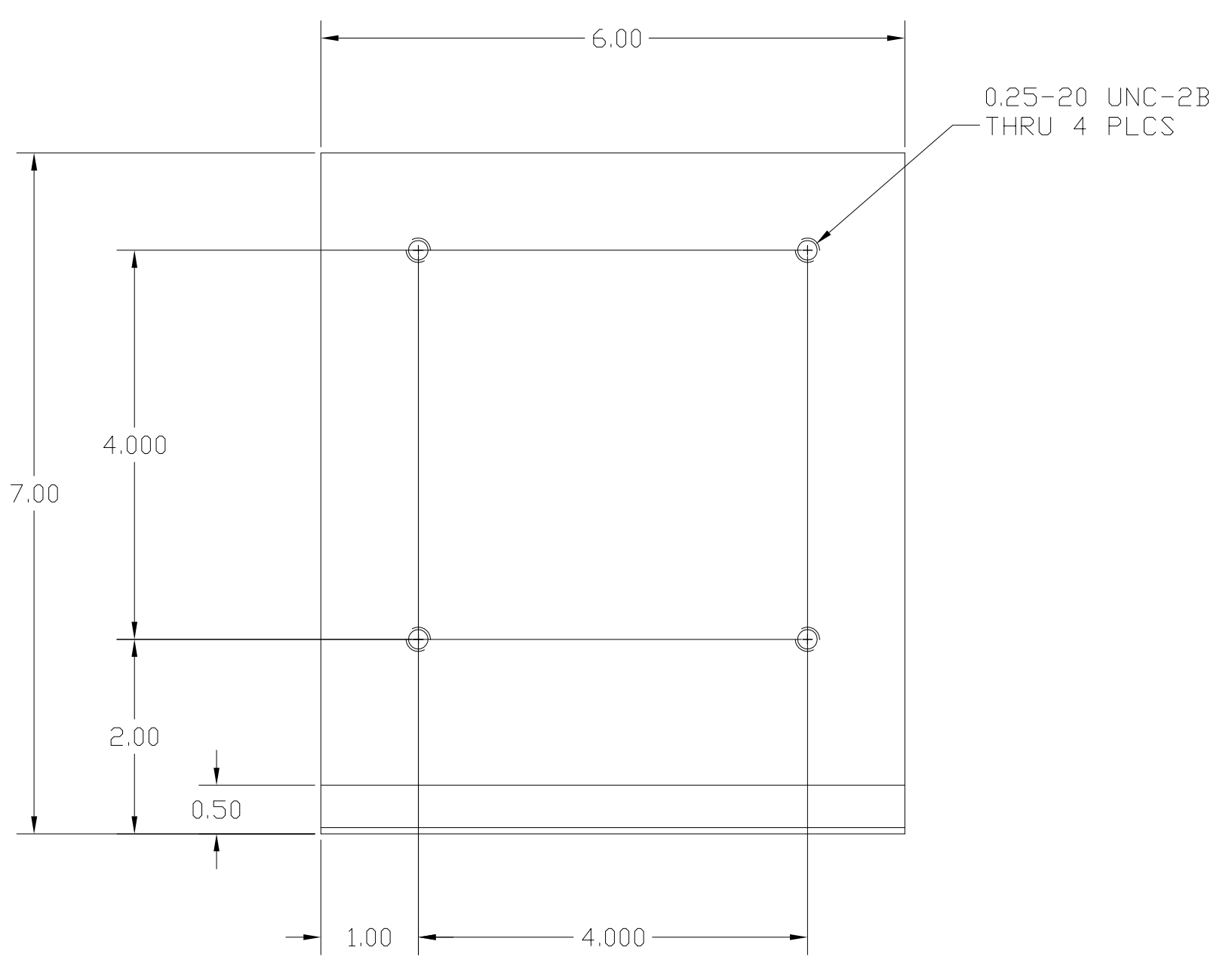
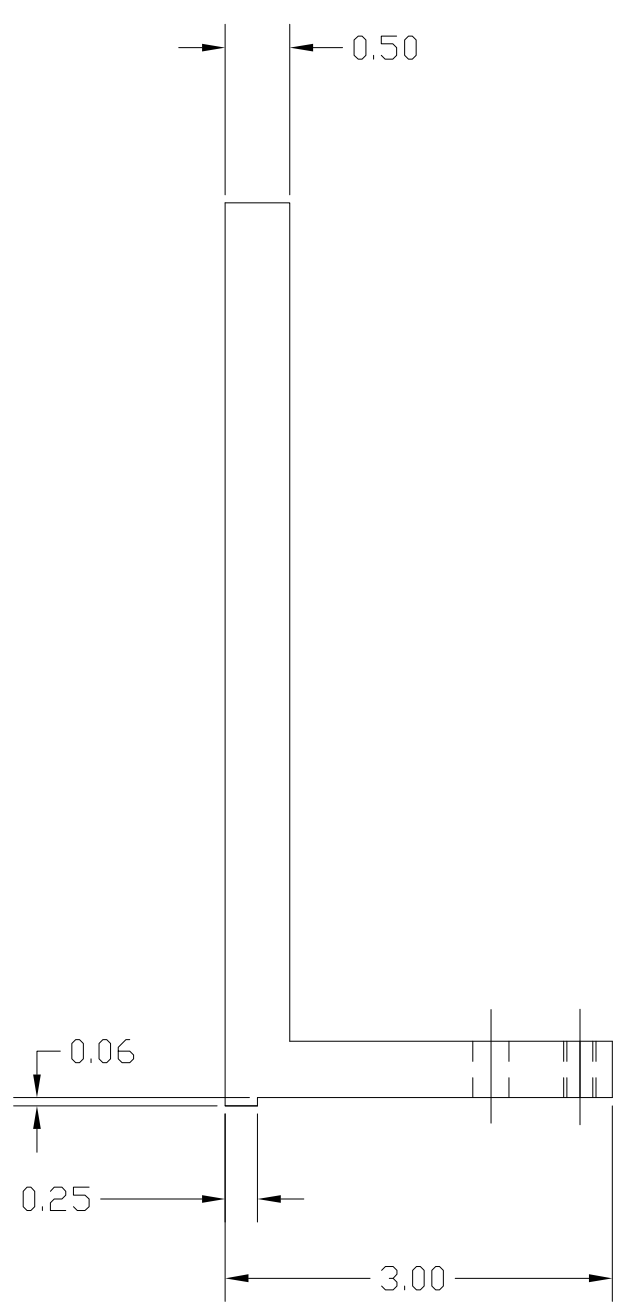
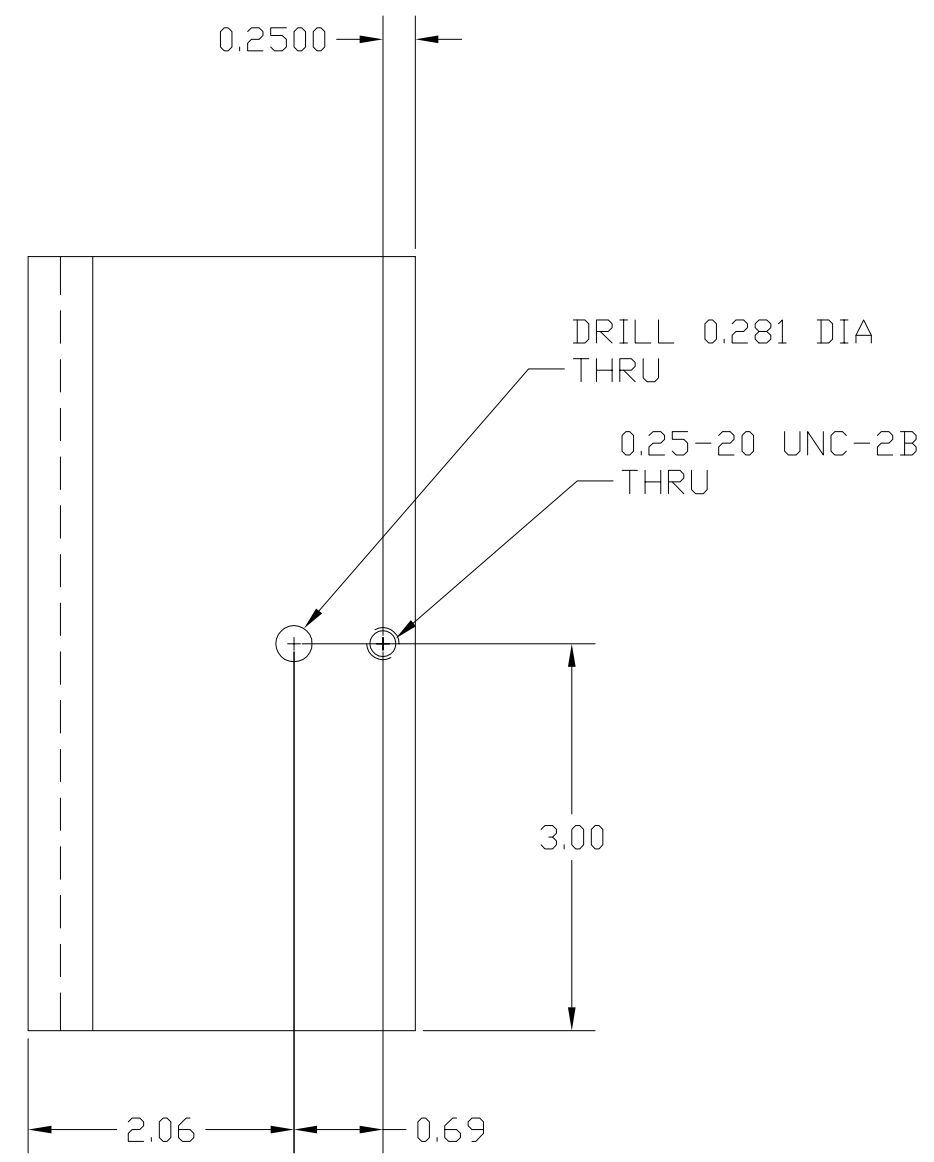


NOTES: (UNLESS OTHERWISE SPECIFIED)

REV.	DATE	DCN #	DRAWING TREE #
A	-	-	



ITEM NO.	REQ. QUANTITY	SPARE	TOT. QUANTITY	PART NUMBER	DESCRIPTION	SUPPLIER
PARTS LIST						
UNLESS OTHERWISE SPECIFIED: DIMENSIONS ARE IN INCHES				DRAWN	DATE	NAME
					12-6-03	SMITH
TOLERANCES: .XX ±0.01 .XXX ±0.005				CHECKED		
ANGULAR *1 DEG						
MATERIAL: ALUM 6061-T6				CALIFORNIA INSTITUTE OF TECHNOLOGY MASSACHUSETTS INSTITUTE OF TECHNOLOGY		
FINISH: BLACK ANODIZE				THERMAL COMPENSATION CD2 LASER MASK PROJECTOR		
				FIXED MOUNT 6 IN		
				SIZE	DWG. NO.	REV
				C	D030809-00-D	00
				SCALE:		SHEET 1 OF 1