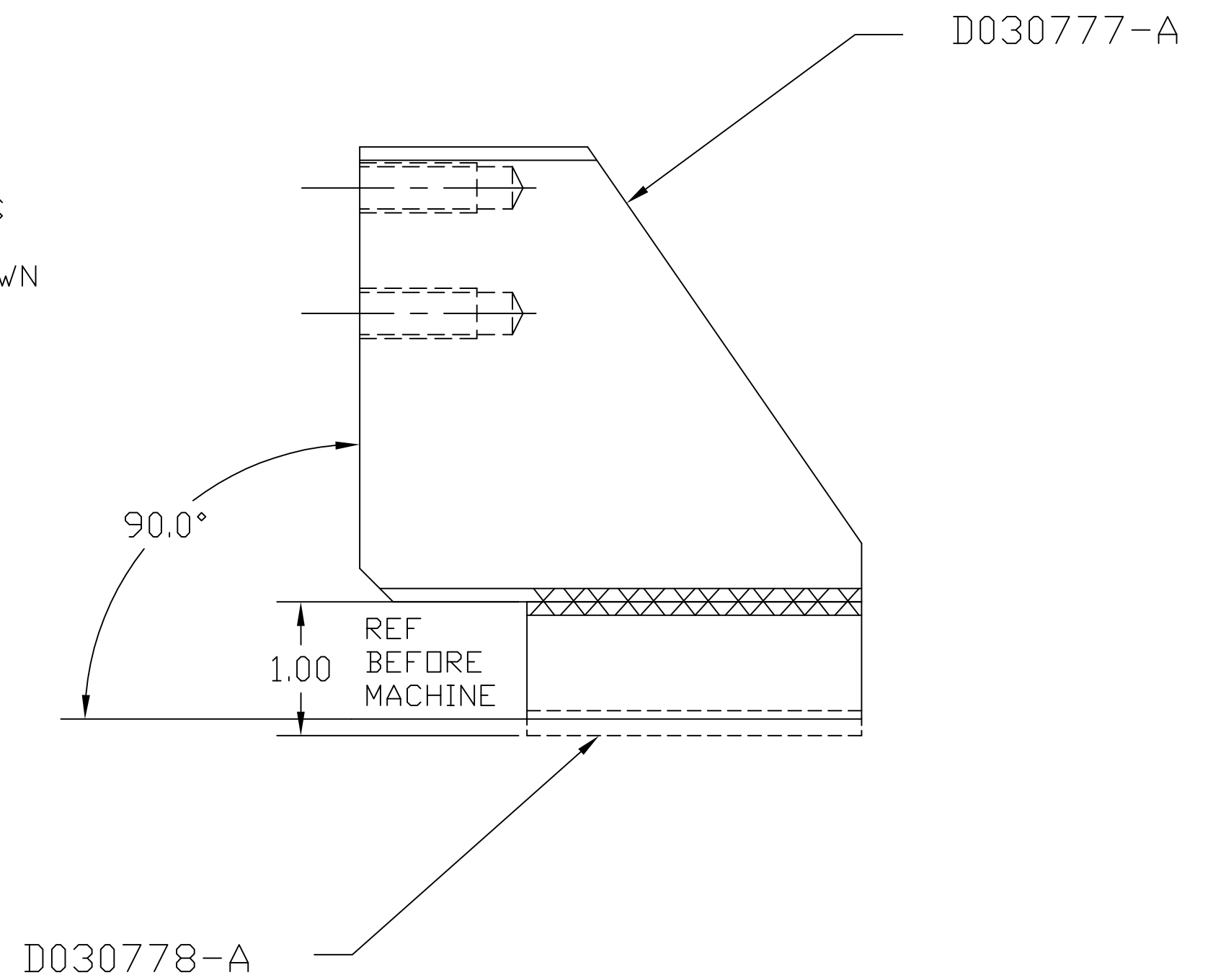
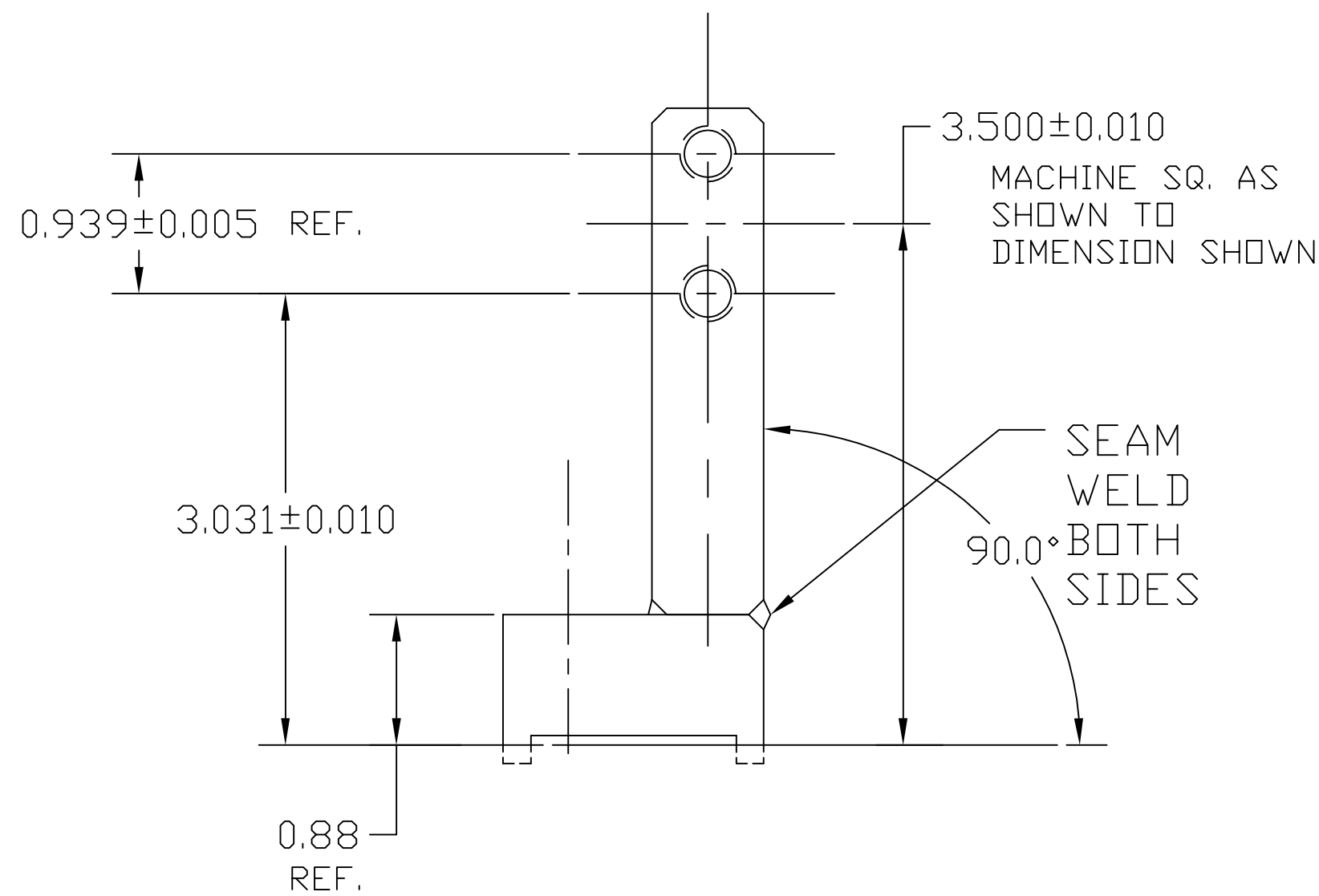


NOTES: (UNLESS OTHERWISE SPECIFIED)

MAKE 2 PER ASSEMBLY

REV.	DATE	DCN #	DRAWING TREE #
A	4-21-04	E040214-00-D	



ITEM NO.	REQ. QUANTITY	SPARE	TOT. QUANTITY	PART NUMBER	DESCRIPTION	SUPPLIER
PARTS LIST						
UNLESS OTHERWISE SPECIFIED:				DATE	NAME	
DIMENSIONS ARE IN INCHES				DRAWN	LIGO	
TOLERANCES:				4/21/04	KENM	
XX ± .005				CHECKED		
XXX ± .01					SYSTEM LLO	
ANGULAR ± 3 DEG					SUB-SYSTEM HEPI	
MATERIAL: MILD STEEL					NEXT ASSY N/A	
FINISH: NONE				COMMENTS:	PART NAME MANIFOLD BAR BRACKET SECOND OPERATION	
				SIZE	DWG. NO.	REV
				C	D030814-A	A
				SCALE:	SHEET 1 OF 1	