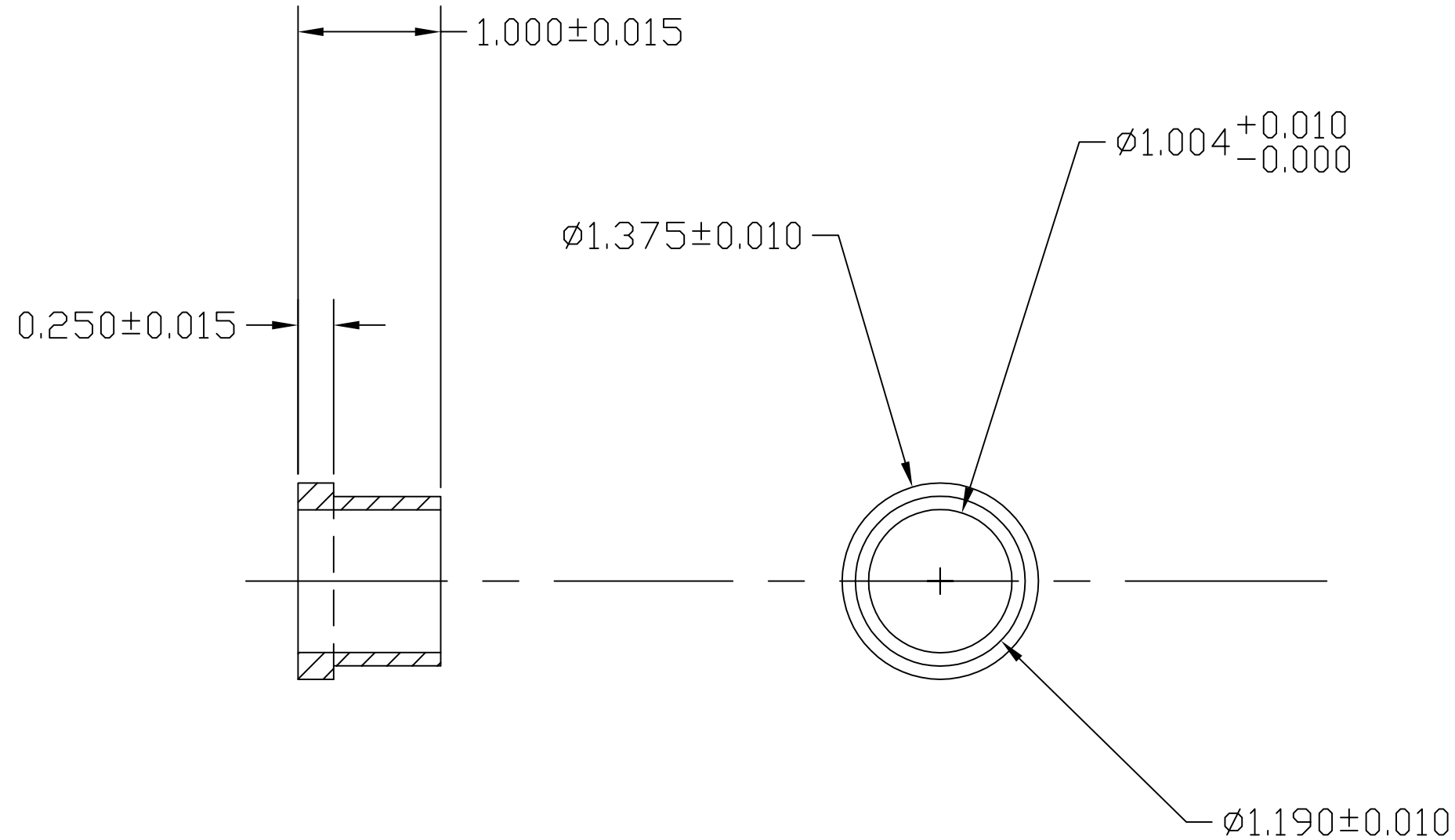


NOTES: (UNLESS OTHERWISE SPECIFIED)
 303 STAINLESS STEEL STOCK
 MAKE 1 PER ASSEMBLY

REV.	DATE	DCN #	DRAWING TREE #
A	4/21/04	E040214-00-D	



ITEM NO.	REQ. QUANTITY	SPARE	TOT.	PART NUMBER	DESCRIPTION	SUPPLIER
PARTS LIST						
UNLESS OTHERWISE SPECIFIED: DIMENSIONS ARE IN INCHES				DATE	NAME	LIGO CALIFORNIA INSTITUTE OF TECHNOLOGY MASSACHUSETTS INSTITUTE OF TECHNOLOGY
TOLERANCES: .XX±: .XXX±: ANGULAR:±				DRAWN	4/21/04	KENM
MATERIAL 303 STAINLESS				CHECKED		SYSTEM LLO
FINISH N/A						SUB-SYSTEM HEPI
						NEXT ASSY TBD
				COMMENTS:		PART NAME MANIFOLD INLET ADAPTOR
						SIZE B DWG. NO. D030830-A REV A
						SCALE: SHEET 1 OF 1