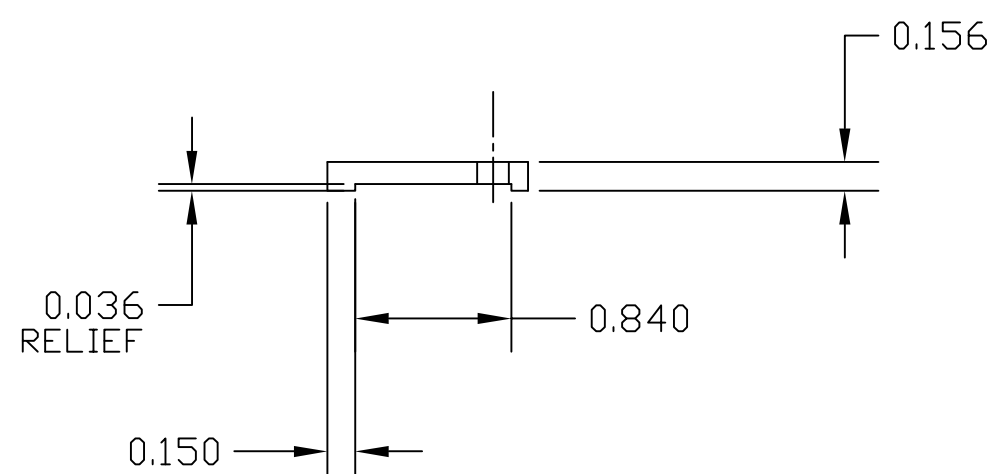
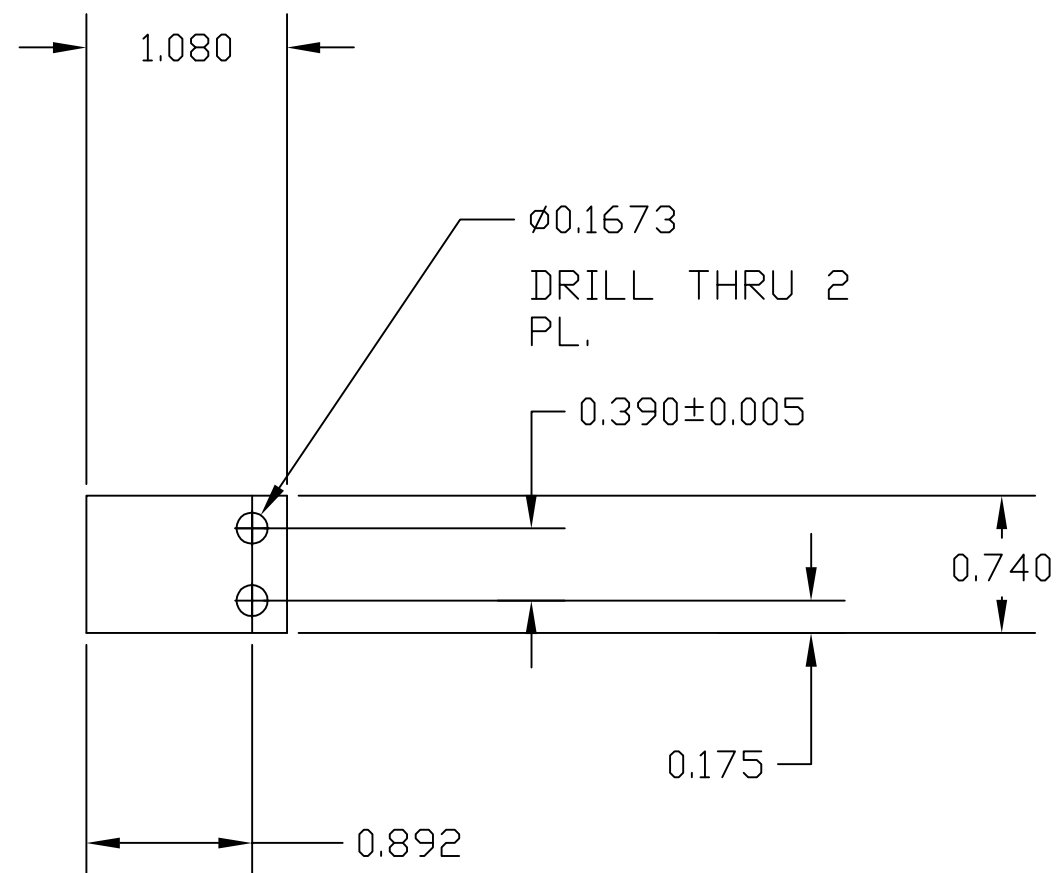


NOTES: (UNLESS OTHERWISE SPECIFIED)

MAKE 1 PER ASSEMBLY

6061/7075 ALUMINUM

REV.	DATE	DCN #	DRAWING TREE #
A	4-21-04	E040214-00-D	



ITEM NO.	REQ. QUANTITY	SPARE	TOT. QUANTITY	PART NUMBER	DESCRIPTION	SUPPLIER
PARTS LIST						
UNLESS OTHERWISE SPECIFIED:				DATE	NAME	
DIMENSIONS ARE IN INCHES				DRAWN	4/21/04	KENM
TOLERANCES:				CHECKED		
XX ± .005						
XXX ± .01						
ANGULAR ± 3 DEG						
MATERIAL see note				COMMENTS:		
FINISH BLK ANODIZE				SIZE	DWG. NO.	REV
				C	D030834-A	A
				SCALE:	SHEET 1 OF 1	

LIGO CALIFORNIA INSTITUTE OF TECHNOLOGY
 MASSACHUSETTS INSTITUTE OF TECHNOLOGY
 SYSTEM LLO/LHO
 SUB-SYSTEM LLO
 NEXT ASSY N/A
 PART NAME ACCELEROMETER BRACKET SPACER (PUMP)