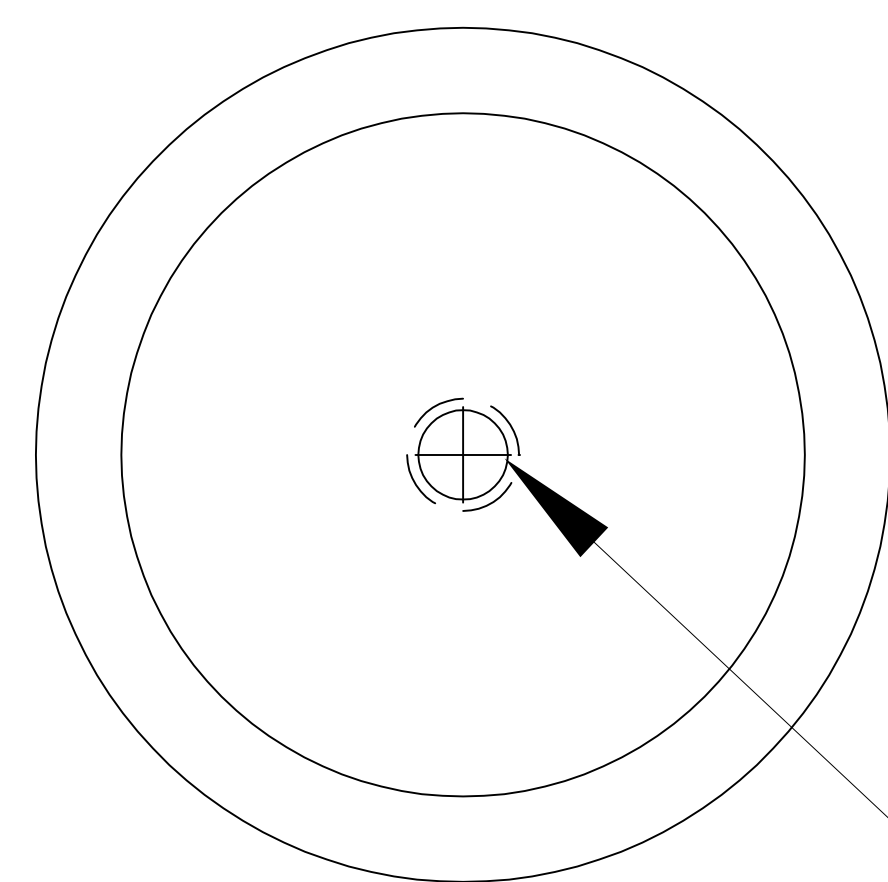


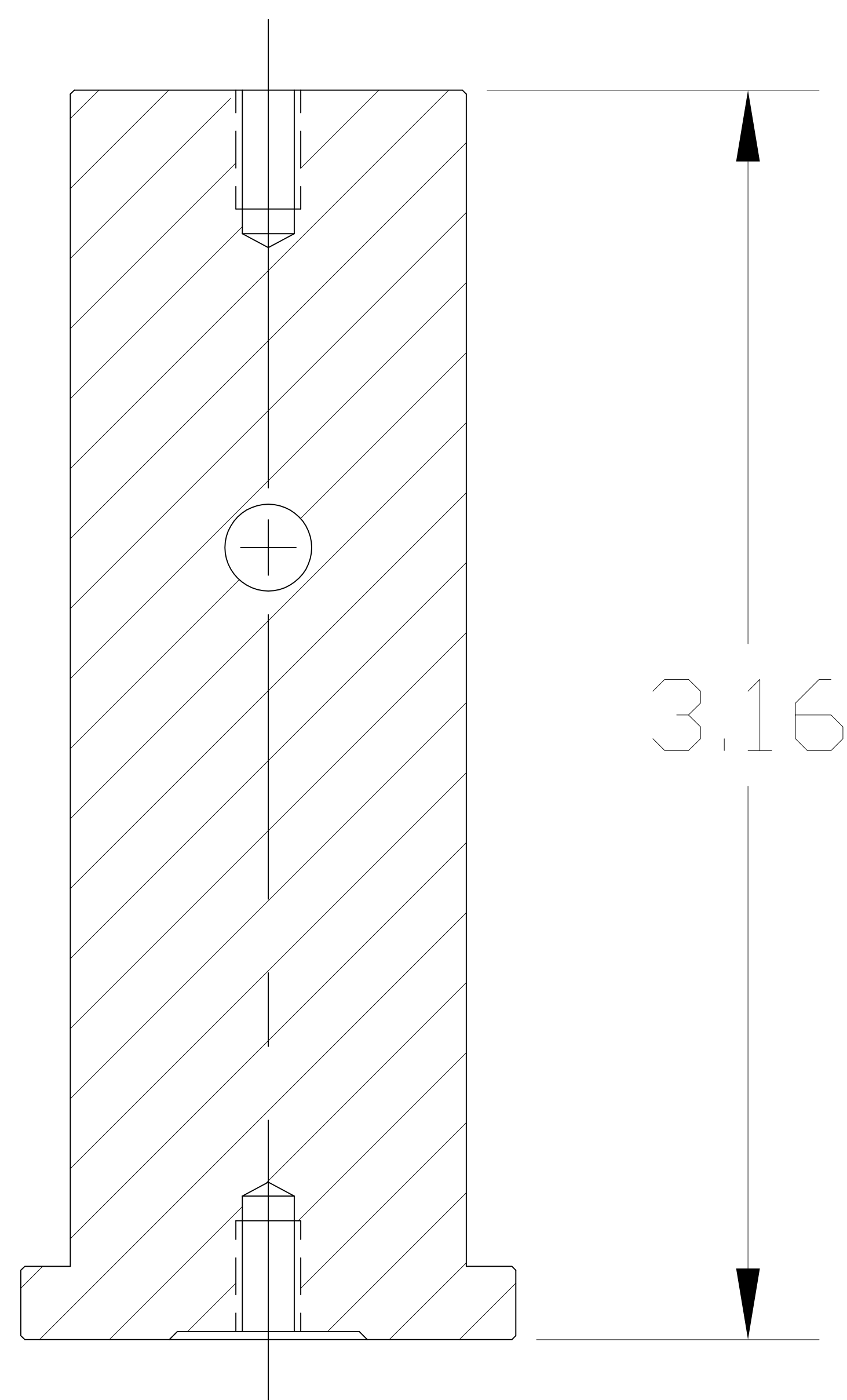
NOTES: (UNLESS OTHERWISE SPECIFIED)


MAKE FROM P/N RS4P THORLABS

REV.	DATE	DCN #	DRAWING TREE #
A	6.2.04	E040280-00	



TAP 8-32
UNC-2B X 0.30
DP



ITEM NO.	REQ. QUANTITY	SPARE	TOT.	PART NUMBER	DESCRIPTION	SUPPLIER
PARTS LIST						
UNLESS OTHERWISE SPECIFIED: DIMENSIONS ARE IN INCHES				DRAWN	DATE	NAME
				CHECKED	1-29-04	M.R. SMITH
TOLERANCES: .XX ± 0.01 .XXX ± 0.005 ANGULAR: X ± 1 DEG .XX ± 0.2 DEG				COMMENTS: BREAK CORNERS AND EDGES REMOVE ALL BURRS		 CALIFORNIA INSTITUTE OF TECHNOLOGY MASSACHUSETTS INSTITUTE OF TECHNOLOGY SYSTEM: THERMAL COMPENSATION SUBSYSTEM: CO2 LASER MASK PROJECTOR NEXT ASSY: IRIS DIAPHRAGM PEDESTAL
MATERIAL: 903 SS						SIZE DWG. NO. B D040055-A-D
FINISH: NATURAL						REV A
SCALE:						SHEET 1 OF 1