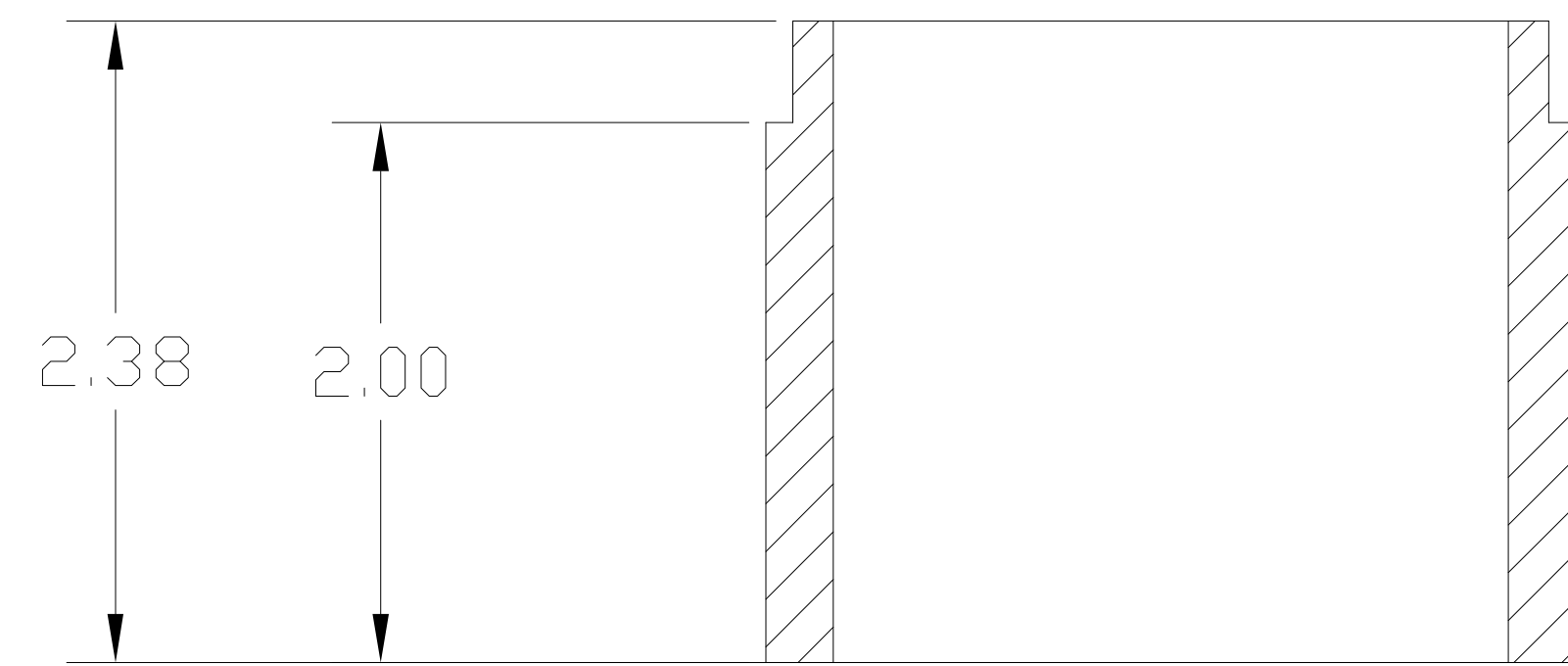
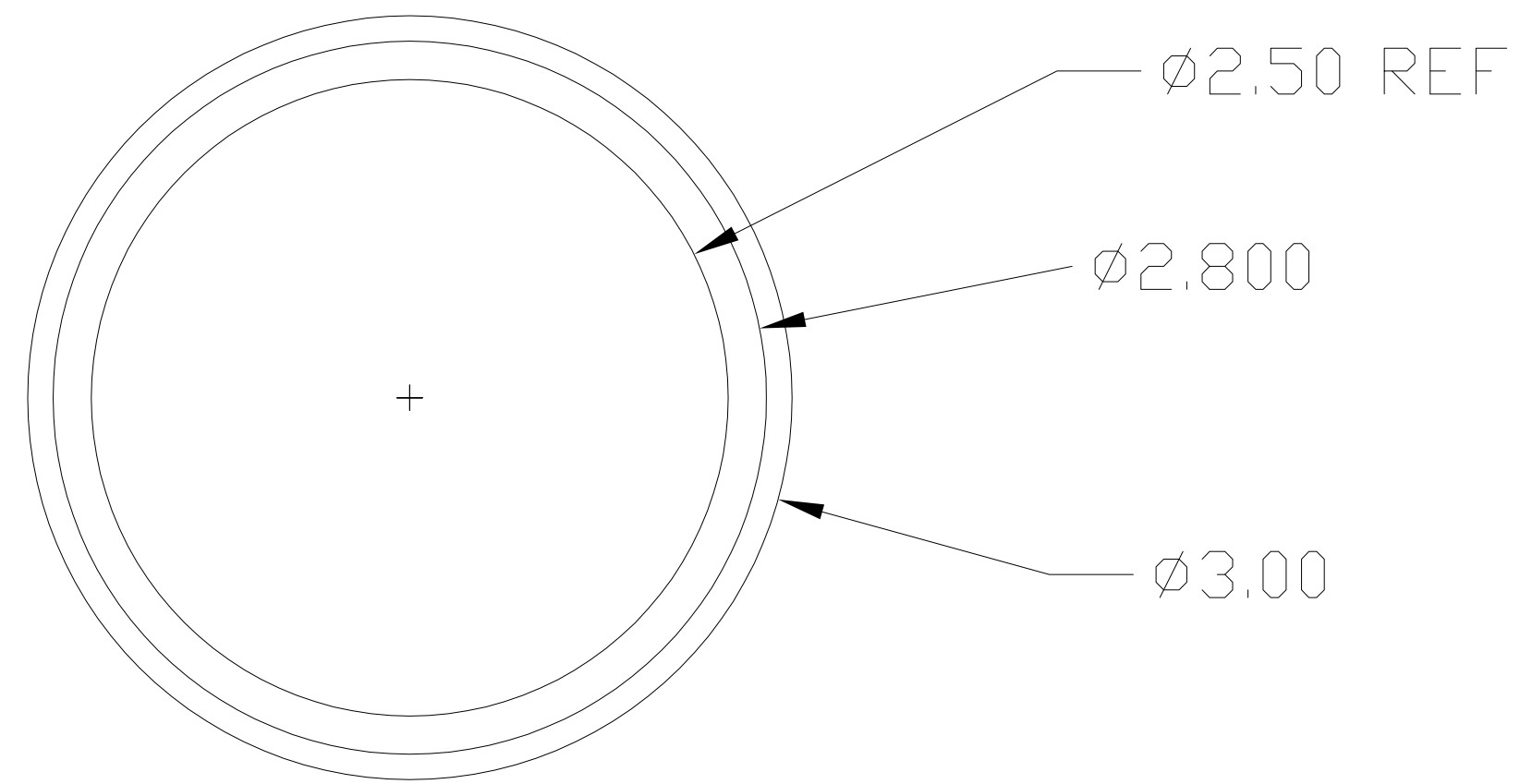


NOTES: (UNLESS OTHERWISE SPECIFIED)

MAKE FROM 3.00 OD X 0.25 WALL ALUM TUBE

REV.	DATE	DCN #	DRAWING TREE #
A	-	-	



ITEM NO.	REQ. QUANTITY	SPARE	TOT. QUANTITY	PART NUMBER	DESCRIPTION	SUPPLIER
PARTS LIST						
UNLESS OTHERWISE SPECIFIED:				DATE	NAME	CALIFORNIA INSTITUTE OF TECHNOLOGY
DIMENSIONS ARE IN INCHES:				DRAWN	1-29-04	SMITH
TOLERANCES:				CHECKED		THERMAL COMPENSATION
.XX ±0.01						CO2 LASER MASK PROJECTOR
.XXX ±0.005						
ANGULAR *1 DEG						TUBE AUX MIRROR MOUNT
MATERIAL				COMMENTS:	SIZE DWG. NO.	REV
ALUM 6061-T6					C	00
BLACK ANODIZE					D040058-00-D	
				SCALE:		SHEET 1 OF 1