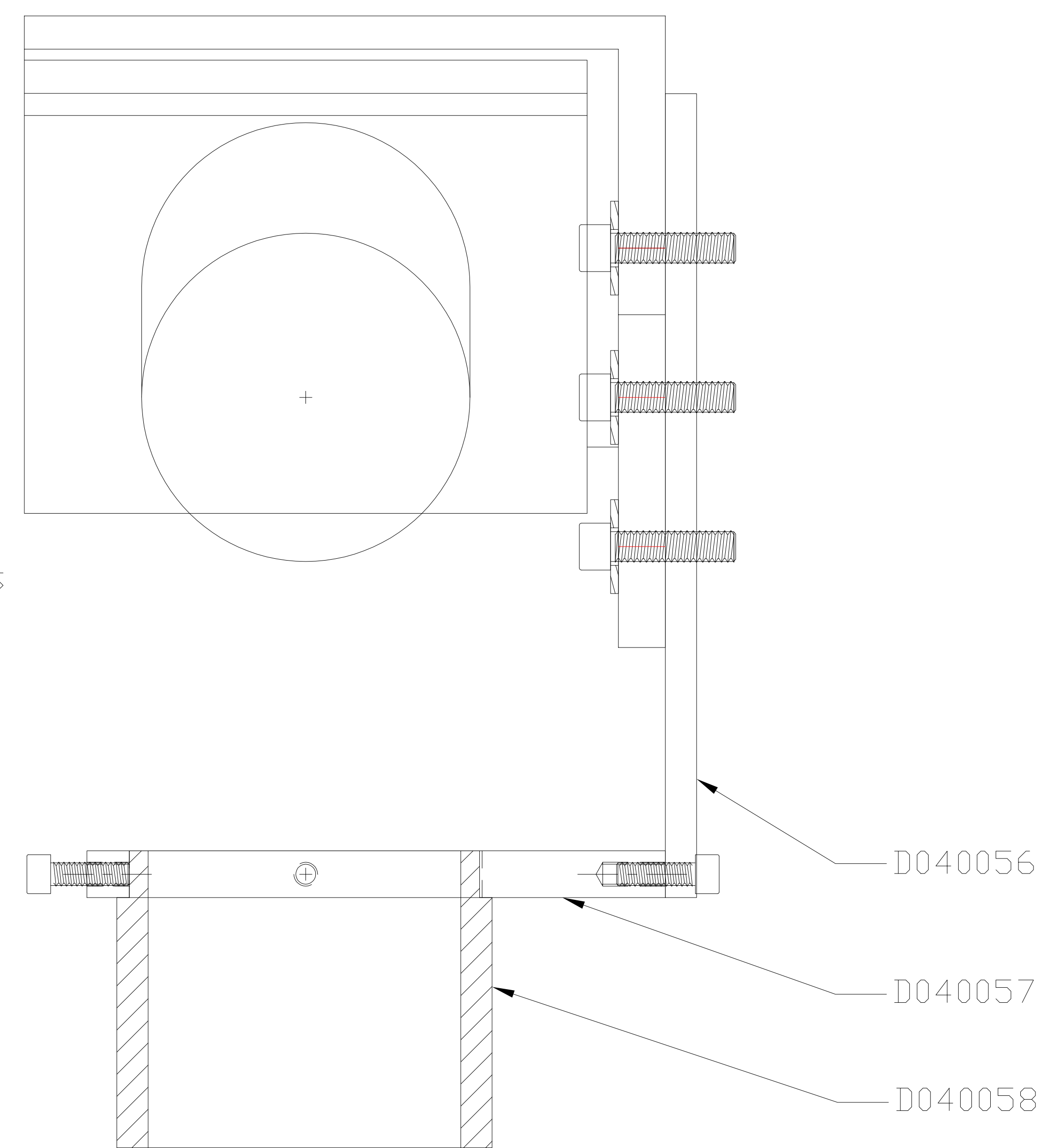
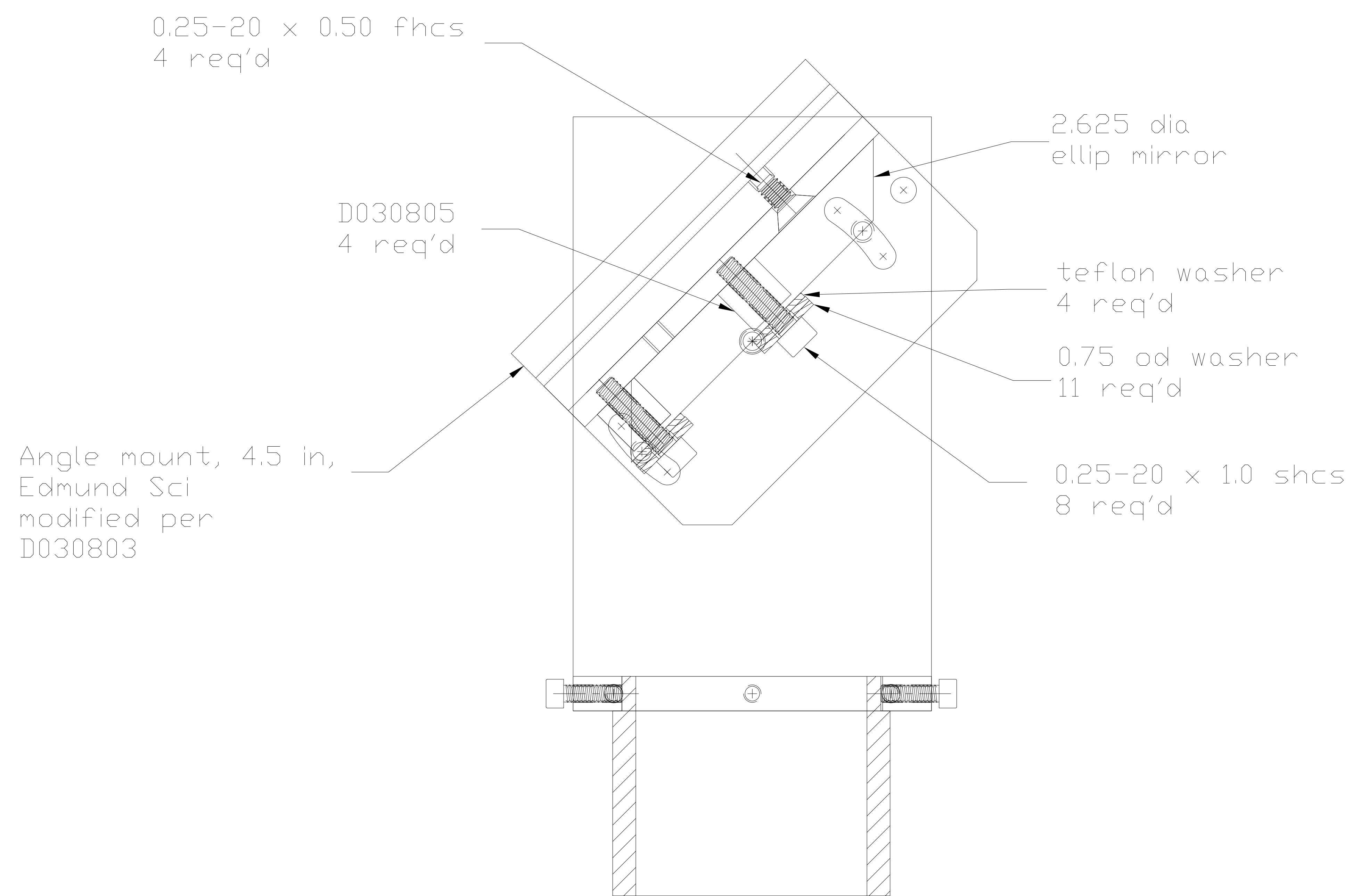
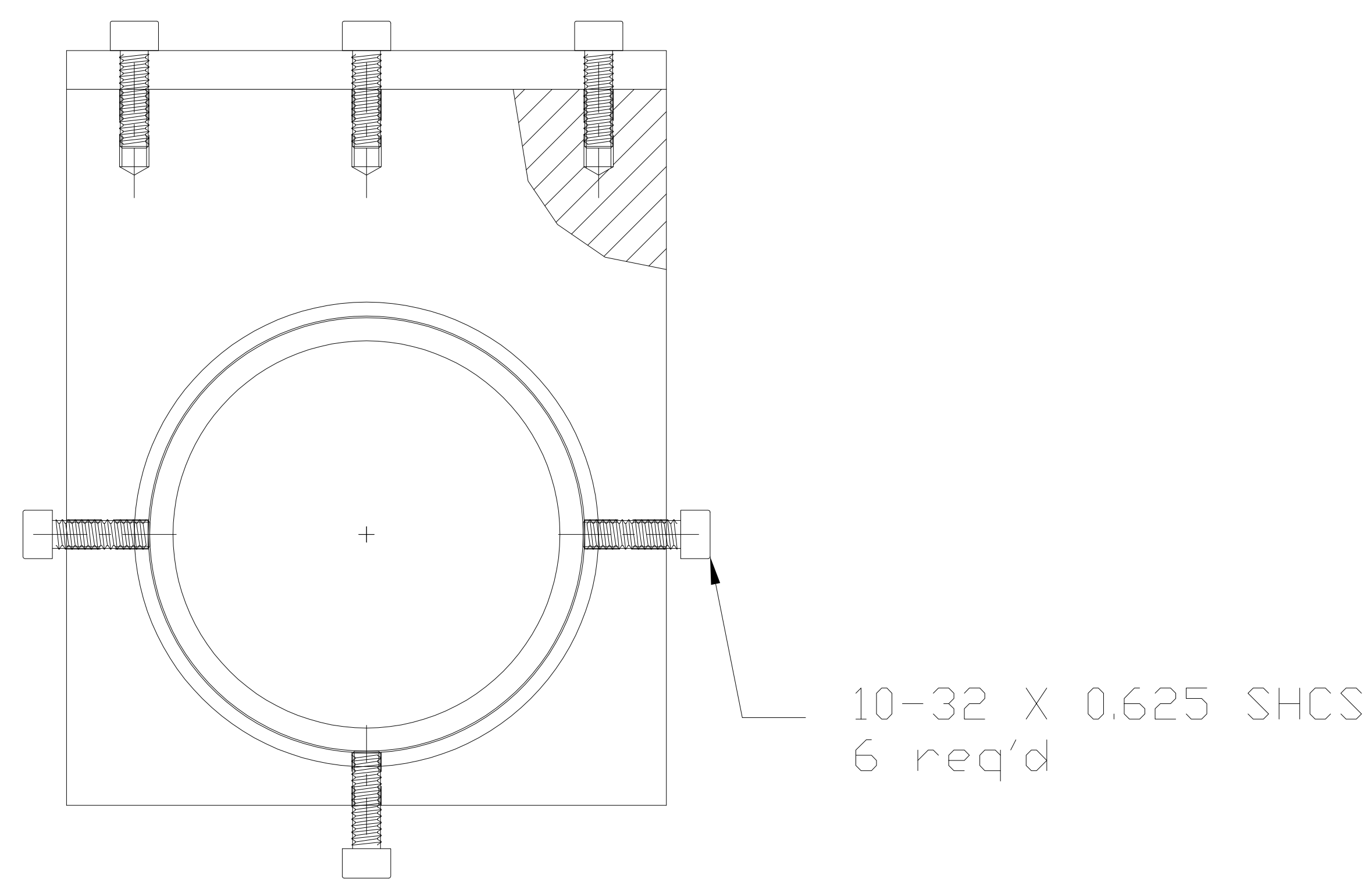


NOTES: (UNLESS OTHERWISE SPECIFIED)

REV.	DATE	DCN #	DRAWING TREE #
A	-	-	



ITEM NO.	REQ. QUANTITY	SPARE	TOT. QUANTITY	PART NUMBER	DESCRIPTION	SUPPLIER
PARTS LIST						
UNLESS OTHERWISE SPECIFIED: DIMENSIONS ARE IN INCHES				DRAWN	DATE	NAME
TOLERANCES: .XX ±0.01 .XXX ±0.005				CHECKED	1-29-04	SMITH
ANGULAR *1 DEG MATERIAL ALUM 6061-T6 FINISH NATURAL				COMMENTS:		
					CALIFORNIA INSTITUTE OF TECHNOLOGY MASSACHUSETTS INSTITUTE OF TECHNOLOGY	
					THERMAL COMPENSATION CO2 LASER MASK PROJECTOR	
					AUX MIRROR MOUNT ASSY	
					SIZE DWG. NO.	REV
					C D040061-00-D	00
					SCALE:	SHEET 1 OF 1