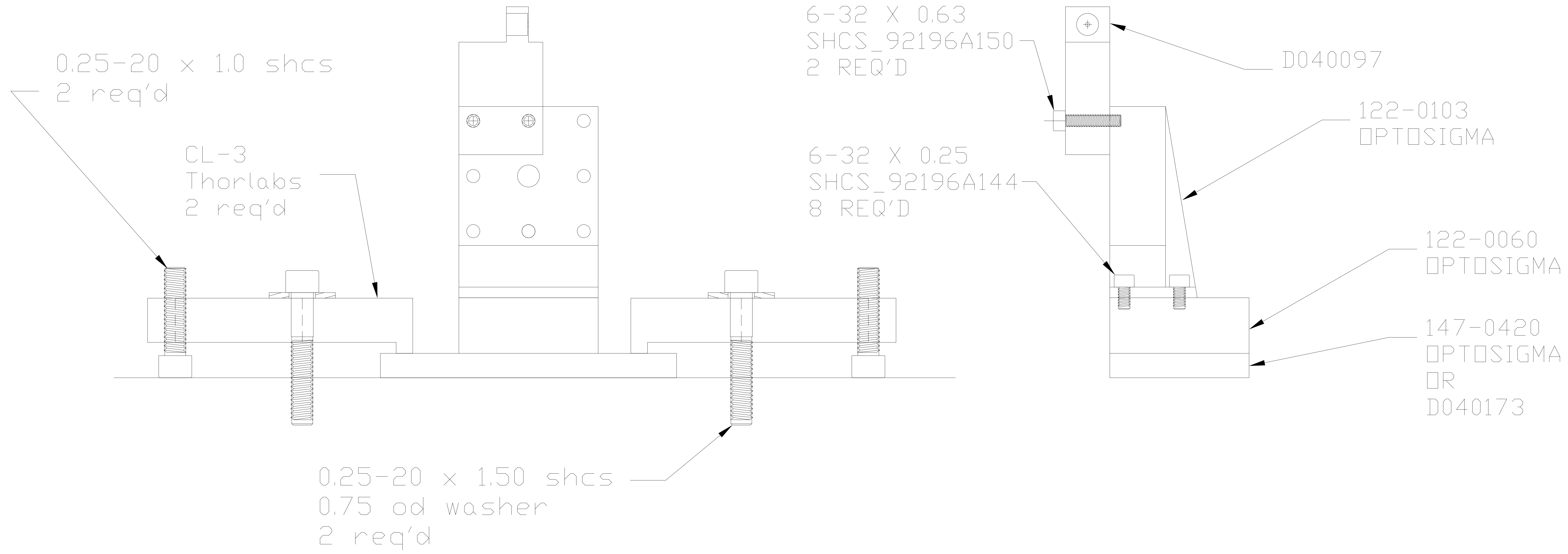
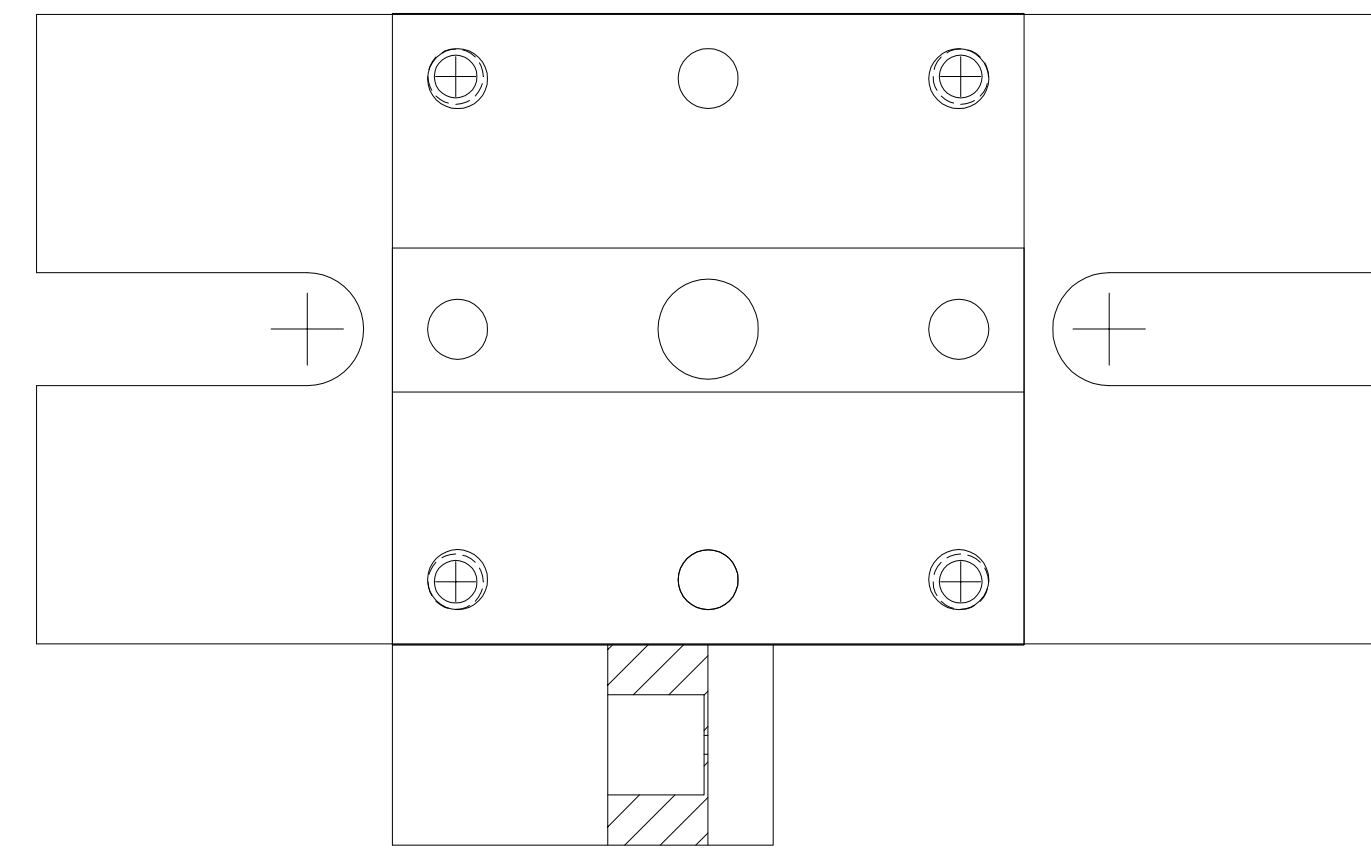


NOTES: (UNLESS OTHERWISE SPECIFIED)

REV.	DATE	DCN #	DRAWING TREE #
A	6.2.04	E040280-00	



ITEM NO.	REQ. QUANTITY	SPARE	TOT. QUANTITY	PART NUMBER	DESCRIPTION	SUPPLIER
PARTS LIST						
UNLESS OTHERWISE SPECIFIED: DIMENSIONS ARE IN INCHES				DATE	NAME	CALIFORNIA INSTITUTE OF TECHNOLOGY MASSACHUSETTS INSTITUTE OF TECHNOLOGY
				3-5-04	SMITH	
TOLERANCES: XX ±0.01 XXX ±0.005				CHECKED		SYSTEM: THERMAL COMPENSATION
ANGULAR *1 DEG						SUBSYSTEM: CO2 LASER MASK PROJECTOR
MATERIAL: ALUM 6061-T6				COMMENTS:		NEXT ASSY:
FINISH: CLEAR ANODIZE						BESSEL APERTURE_REV1 ASSY
				SIZE	DWG. NO.	REV
				C	D040098-A-D	A
				SCALE:		SHEET 1 OF 1