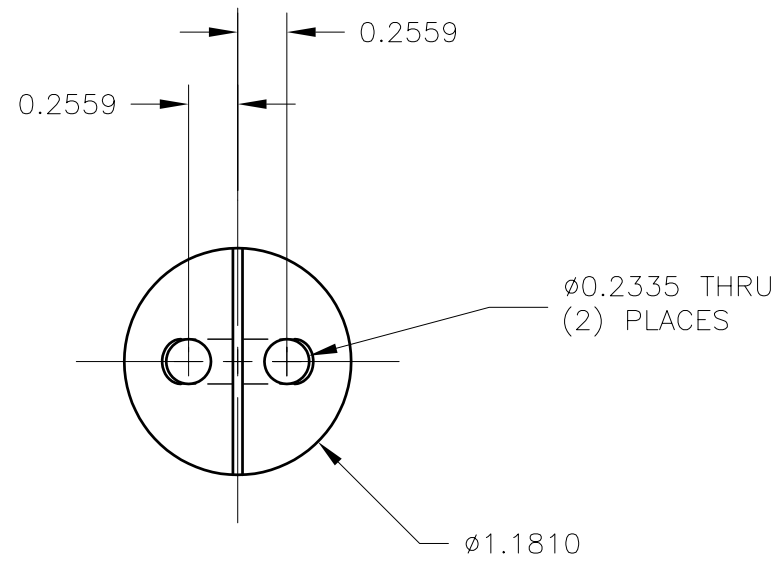
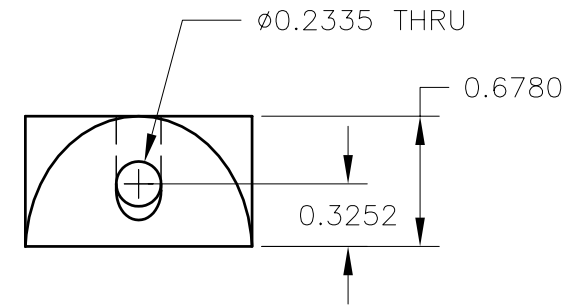
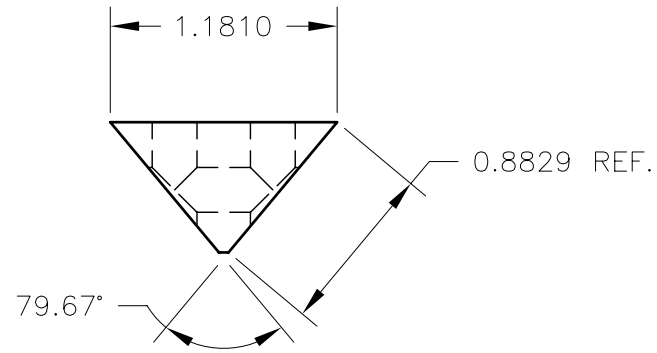



NOTES: (UNLESS OTHERWISE SPECIFIED)

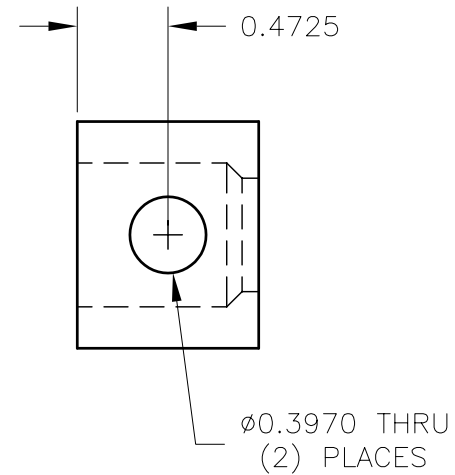
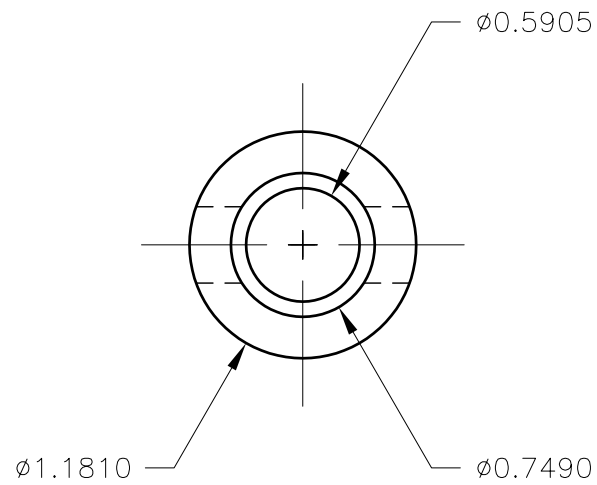
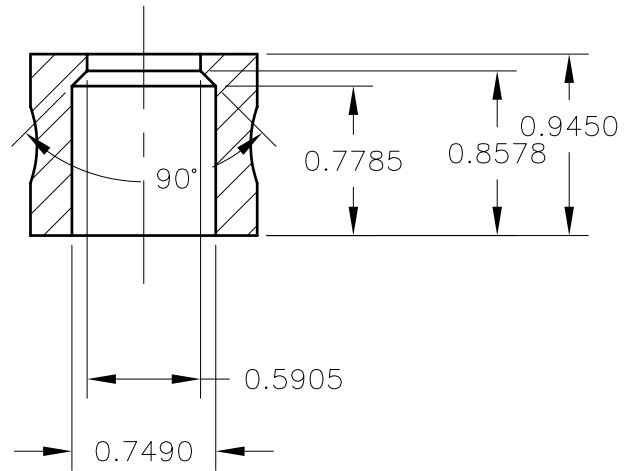
REV.	DATE	DCN #	DRAWING TREE #



ITEM NO.	REQ.	SPARE	TOT.	PART NUMBER	DESCRIPTION	SUPPLIER
PARTS LIST						
UNLESS OTHERWISE SPECIFIED DIMENSIONS ARE IN INCHES				DATE	NAME	 CALIFORNIA INSTITUTE OF TECHNOLOGY MASSACHUSETTS INSTITUTE OF TECHNOLOGY SYSTEM LIGO SUB-SYSTEM OUTPUT MODECLEANER PROTOTYPE NEXT ASSY OUTPUT MODECLEANER PROTOTYPE PART NAME PRISM SIZE DWG. NO. REV B D040151-D 00 SCALE: 1:1 PRISM.DWG SHEET 1 OF 6
TOLERANCES: .XX ±: .XXX ±: ANGULAR: ±				DRAWN	04/20/04 P. KING	
MATERIAL FUSED SILICA				CHECKED		
FINISH FINE GROUND				COMMENTS:		

NOTES: (UNLESS OTHERWISE SPECIFIED)

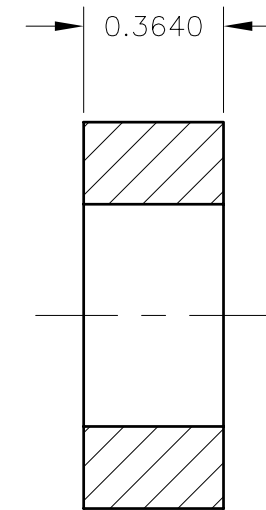
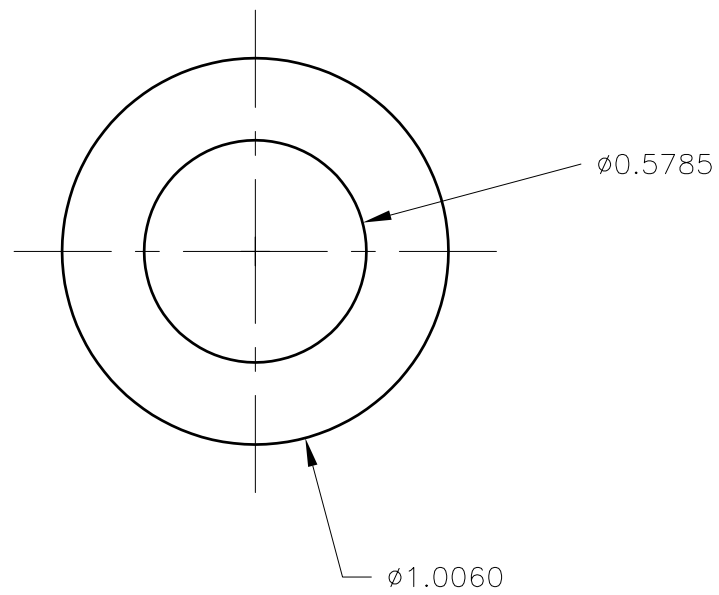
REV.	DATE	DCN #	DRAWING TREE #




ITEM NO.	REQ.	SPARE	TOT.	PART NUMBER	DESCRIPTION	SUPPLIER
PARTS LIST						
UNLESS OTHERWISE SPECIFIED DIMENSIONS ARE IN INCHES				DATE	NAME	CALIFORNIA INSTITUTE OF TECHNOLOGY MASSACHUSETTS INSTITUTE OF TECHNOLOGY SYSTEM LIGO SUB-SYSTEM OUTPUT MODECLEANER PROTOTYPE NEXT ASSY OUTPUT MODECLEANER PROTOTYPE PART NAME SPACER SIZE DWG. NO. REV B D040151-D 00 SCALE: 1:1 SPACER.DWG SHEET 2 OF 6
TOLERANCES: .XX ±: .XXX ±: ANGULAR: ±				DRAWN	04/19/04 P. KING	
MATERIAL FUSED SILICA				CHECKED		
FINISH FINE GROUND				COMMENTS:		

NOTES: (UNLESS OTHERWISE SPECIFIED)

PZT INFORMATION
 PIEZOMECHANIK Dr. Lutz Pickelmann GmbH
 HPSt 1000/25-15/5
 WIRING INFORMATION
 RED +
 BLACK -



ITEM NO.	REQ.	SPARE	TOT.	PART NUMBER	DESCRIPTION	SUPPLIER
PARTS LIST						
UNLESS OTHERWISE SPECIFIED DIMENSIONS ARE IN INCHES				DATE	NAME	 CALIFORNIA INSTITUTE OF TECHNOLOGY MASSACHUSETTS INSTITUTE OF TECHNOLOGY SYSTEM LIGO SUB-SYSTEM OUTPUT MODECLEANER PROTOTYPE NEXT ASSY OUTPUT MODECLEANER PROTOTYPE PART NAME PZT SIZE DWG. NO. B D040151-D REV 00 SCALE: 2:1 PZT.DWG SHEET 3 OF 6
TOLERANCES: .XX ±: .XXX ±: ANGULAR: ±				04/20/04	P. KING	
MATERIAL PZT						
FINISH						
COMMENTS:						


REV.	DATE	DCN #	DRAWING TREE #

NOTES: (UNLESS OTHERWISE SPECIFIED)

MIRROR SPECIFICATION
 ELECTRON BEAM COATING
 S1: R = 90%, s-POLARISATION
 S2: AR COATED

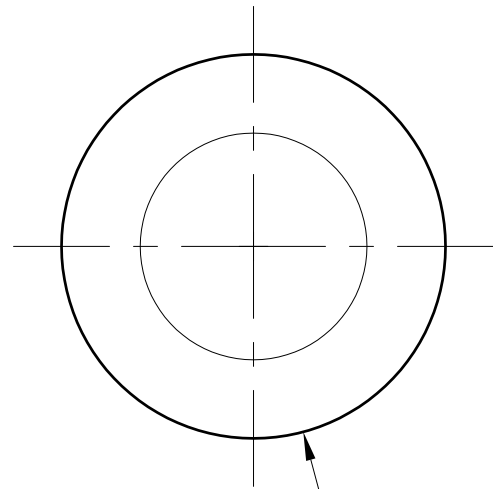
REV.	DATE	DCN #	DRAWING TREE #



ITEM NO.	REQ.	SPARE	TOT.	PART NUMBER	DESCRIPTION	SUPPLIER
PARTS LIST						
UNLESS OTHERWISE SPECIFIED DIMENSIONS ARE IN INCHES				DATE	NAME	 CALIFORNIA INSTITUTE OF TECHNOLOGY MASSACHUSETTS INSTITUTE OF TECHNOLOGY SYSTEM LIGO SUB-SYSTEM OUTPUT MODECLEANER PROTOTYPE NEXT ASSY OUTPUT MODECLEANER PROTOTYPE PART NAME INPUT COUPLER SIZE DWG. NO. REV B D040151-D 00 SCALE: 2:1 COUPLER.DWG SHEET 4 OF 6
TOLERANCES: .XX ±: .XXX ±: ANGULAR: ±				DRAWN	04/20/04 P. KING	
MATERIAL				CHECKED		
FINISH						
				COMMENTS:		

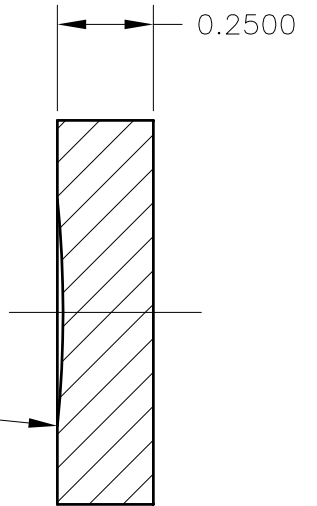
NOTES: (UNLESS OTHERWISE SPECIFIED)

MIRROR SPECIFICATION
 NOMINAL ROC 75mm
 ELECTRON BEAM COATING
 S1: R = 99.8%




$\phi 1.0000$

R2.9523

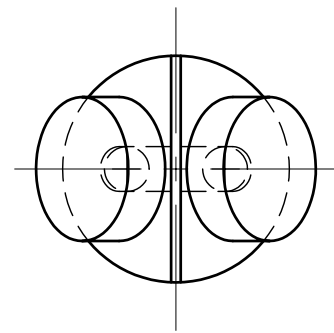
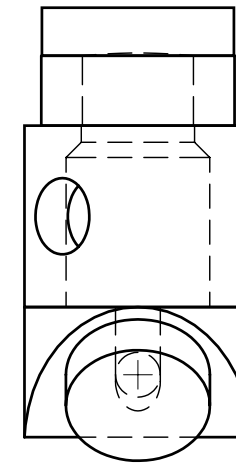
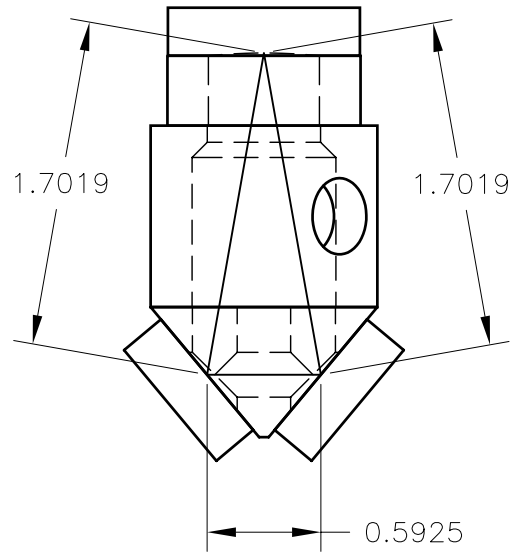


0.2500


ITEM NO.	REQ.	SPARE	TOT.	PART NUMBER	DESCRIPTION	SUPPLIER
PARTS LIST						
UNLESS OTHERWISE SPECIFIED DIMENSIONS ARE IN INCHES				DATE	NAME	 CALIFORNIA INSTITUTE OF TECHNOLOGY MASSACHUSETTS INSTITUTE OF TECHNOLOGY SYSTEM LIGO SUB-SYSTEM OUTPUT MODECLEANER PROTOTYPE NEXT ASSY OUTPUT MODECLEANER PROTOTYPE PART NAME PLANO/CONCAVE MIRROR SIZE DWG. NO. B D040151-D REV 00 SCALE: 2:1 MIRROR.DWG SHEET 5 OF 6
DRAWN				04/20/04	P. KING	
TOLERANCES: .XX ±: .XXX ±: ANGULAR: ±				CHECKED		
MATERIAL				COMMENTS:		
FINISH						

NOTES: (UNLESS OTHERWISE SPECIFIED)

CALCULATED ROUND-TRIP LENGTH
 $RTL = 2 \times 1.7019 + 0.5925$
 $= 3.9963$
 $= 101.51 \text{ mm}$



REV.	DATE	DCN #	DRAWING TREE #

ITEM NO.	REQ.	SPARE	TOT.	PART NUMBER	DESCRIPTION	SUPPLIER
PARTS LIST						
UNLESS OTHERWISE SPECIFIED DIMENSIONS ARE IN INCHES				DATE	NAME	 CALIFORNIA INSTITUTE OF TECHNOLOGY MASSACHUSETTS INSTITUTE OF TECHNOLOGY SYSTEM LIGO SUB-SYSTEM OUTPUT MODECLEANER PROTOTYPE NEXT ASSY OUTPUT MODECLEANER PROTOTYPE PART NAME ASSEMBLY SIZE DWG. NO. REV B D040151-D 00 SCALE: 1:1 ASSEMBLY.DWG SHEET 6 OF 6
TOLERANCES: .XX ±: .XXX ±: ANGULAR: ±				DRAWN	04/20/04 P. KING	
MATERIAL				CHECKED		
FINISH				COMMENTS:		