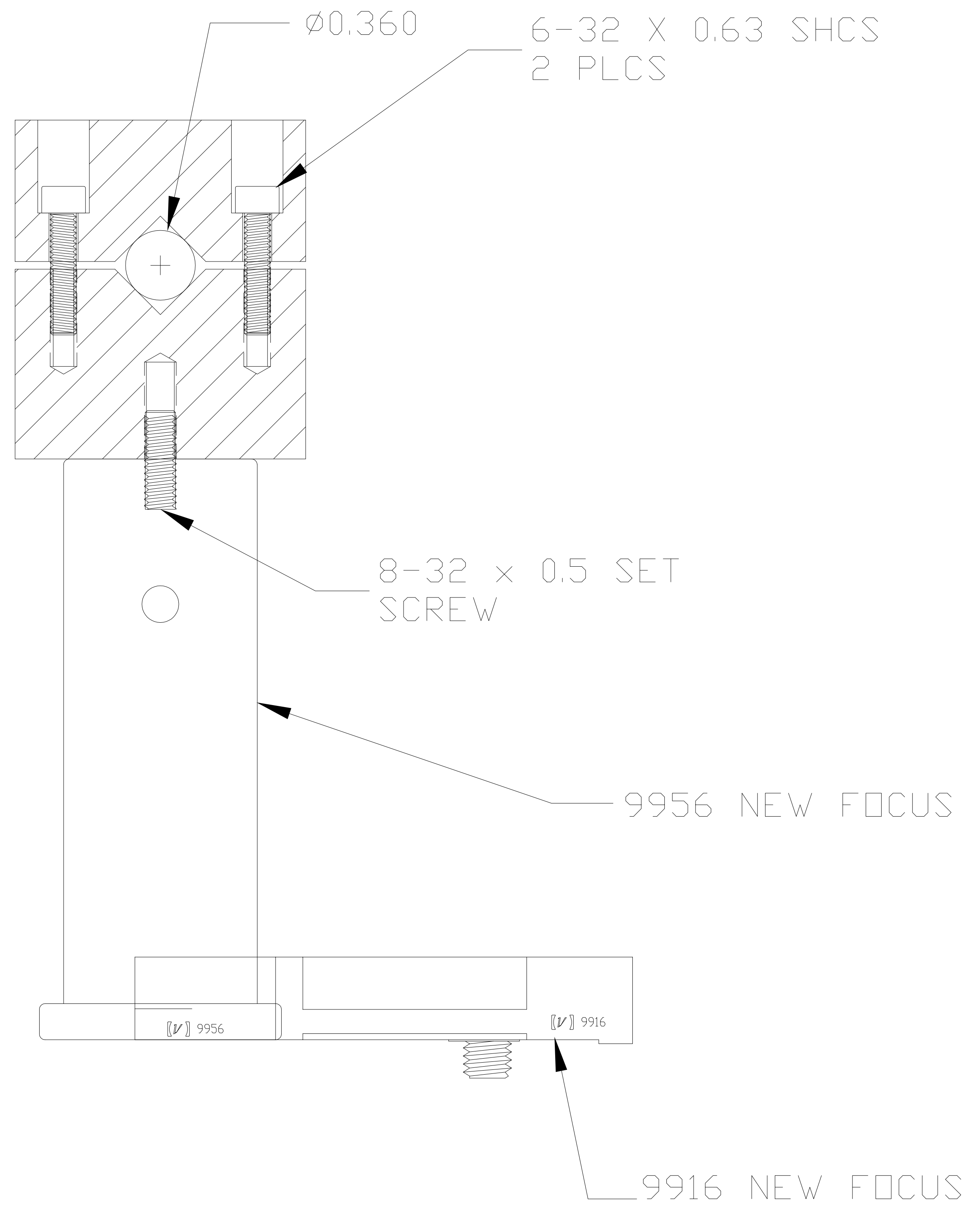
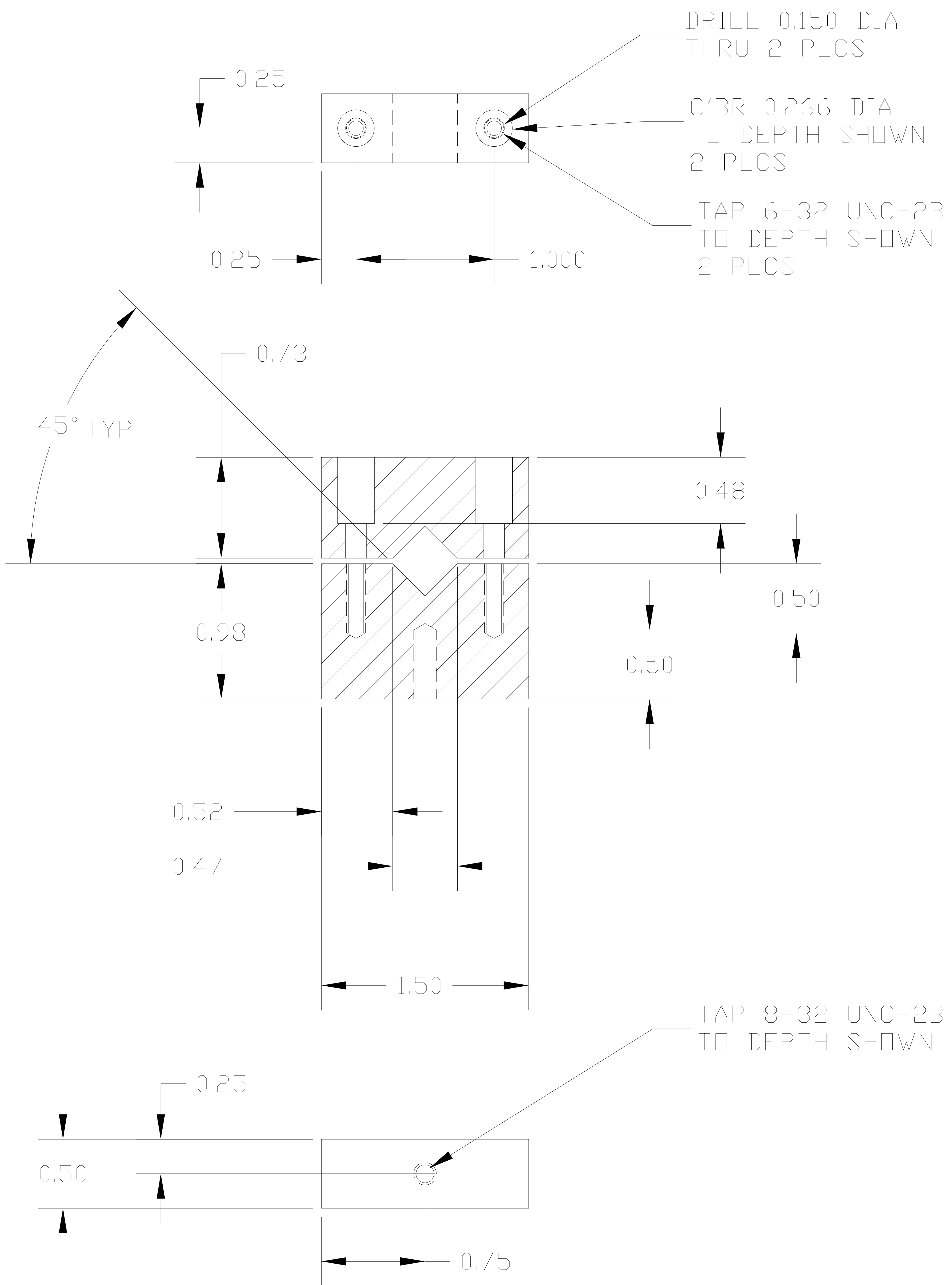


NOTES: (UNLESS OTHERWISE SPECIFIED)

REV.	DATE	DCN #	DRAWING TREE #
A	-	-	



ITEM NO.	REQ. QUANTITY	SPARE QUANTITY	TOT. QUANTITY	PART NUMBER	DESCRIPTION	SUPPLIER
PARTS LIST						
UNLESS OTHERWISE SPECIFIED: DIMENSIONS ARE IN INCHES				DRAWN	DATE	NAME
				CHECKED	4-23-04	SMITH
TOLERANCES: .XX ±0.01 .XXX ±0.005				CALIFORNIA INSTITUTE OF TECHNOLOGY MASSACHUSETTS INSTITUTE OF TECHNOLOGY		
ANGULAR *1 DEG				THERMAL COMPENSATION		
MATERIAL ALUM 6061-T6				CO2 LASER MASK PROJECTOR		
BLACK ANODIZE				AIM LASER MOUNT		
				SIZE	DWG. NO.	REV
				C	D040169-00-D	00
				SCALE:	SHEET 1 OF 1	