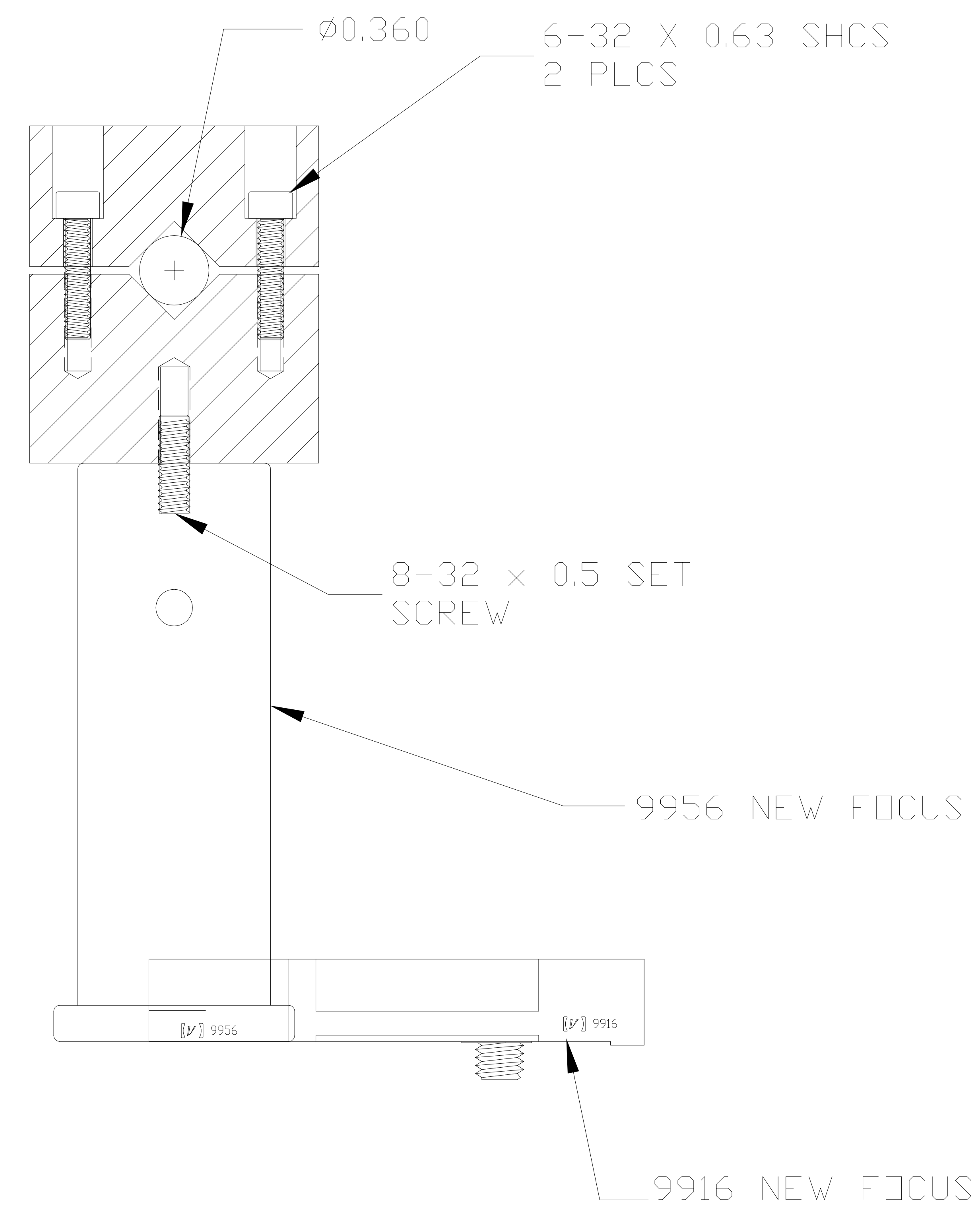
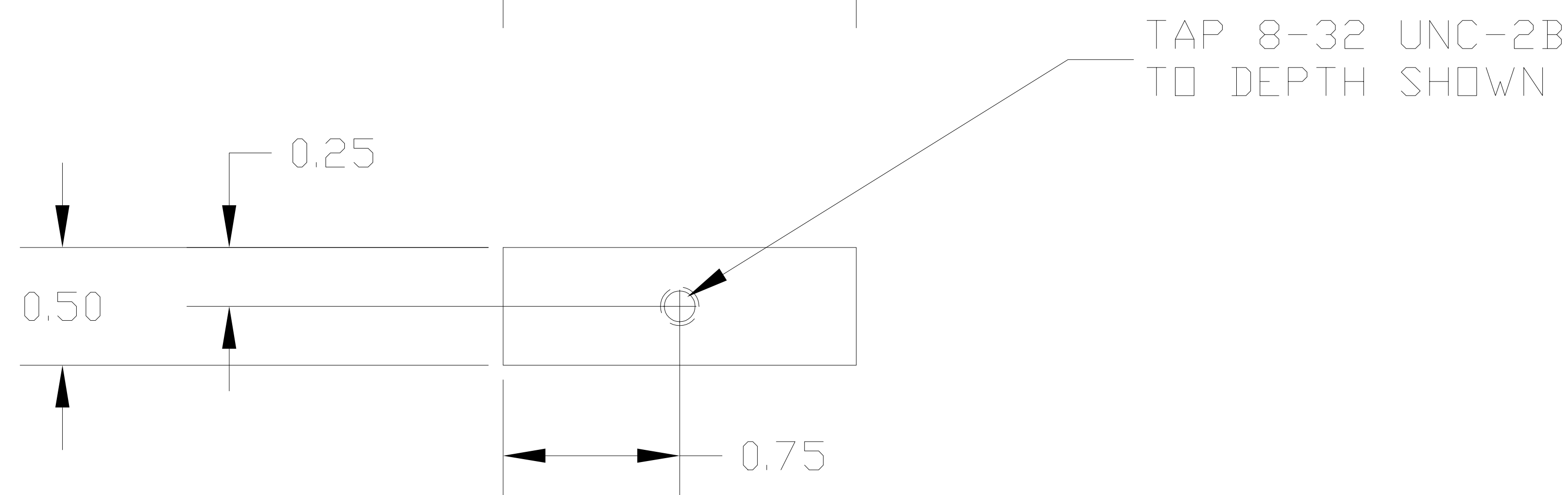
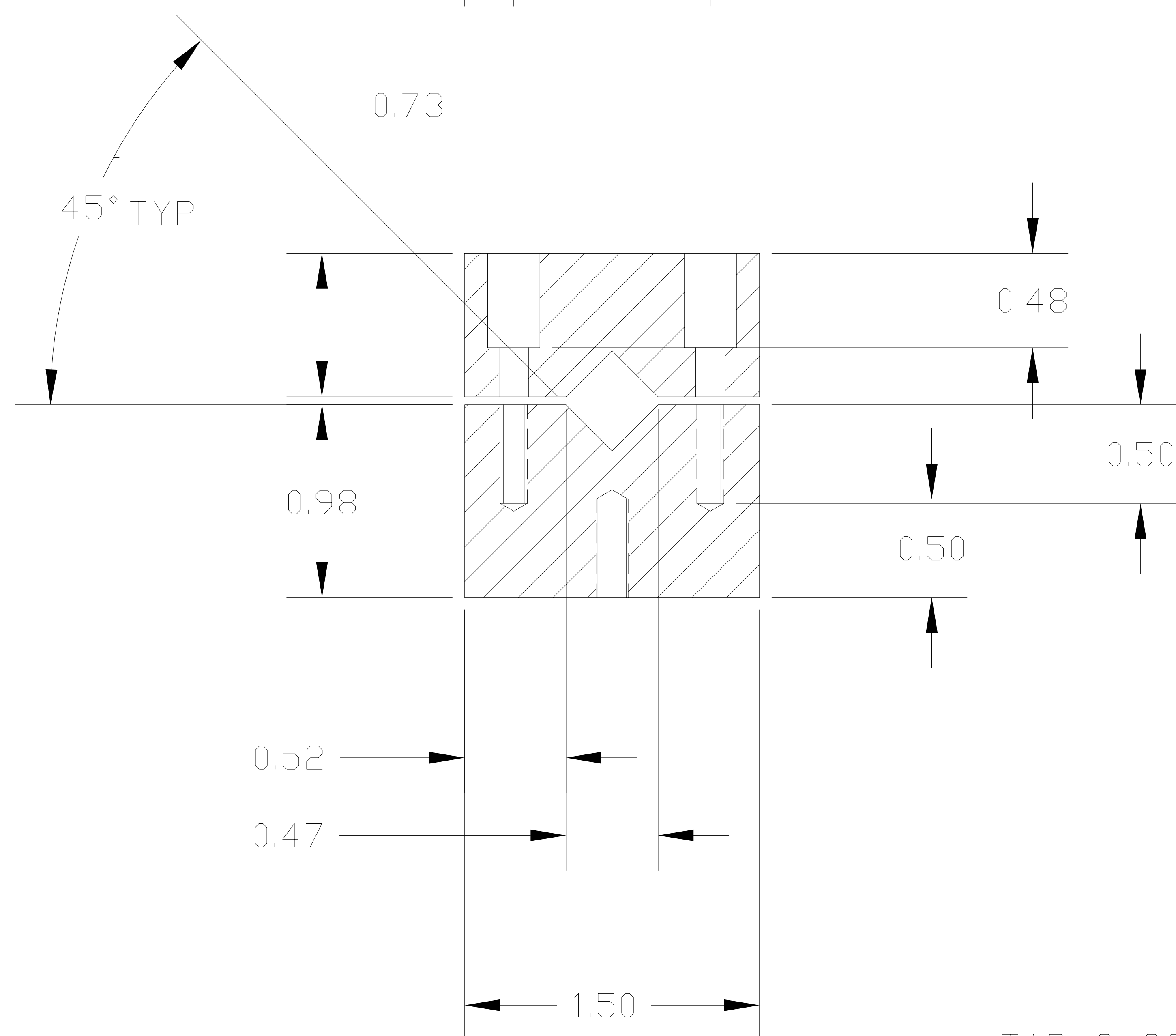
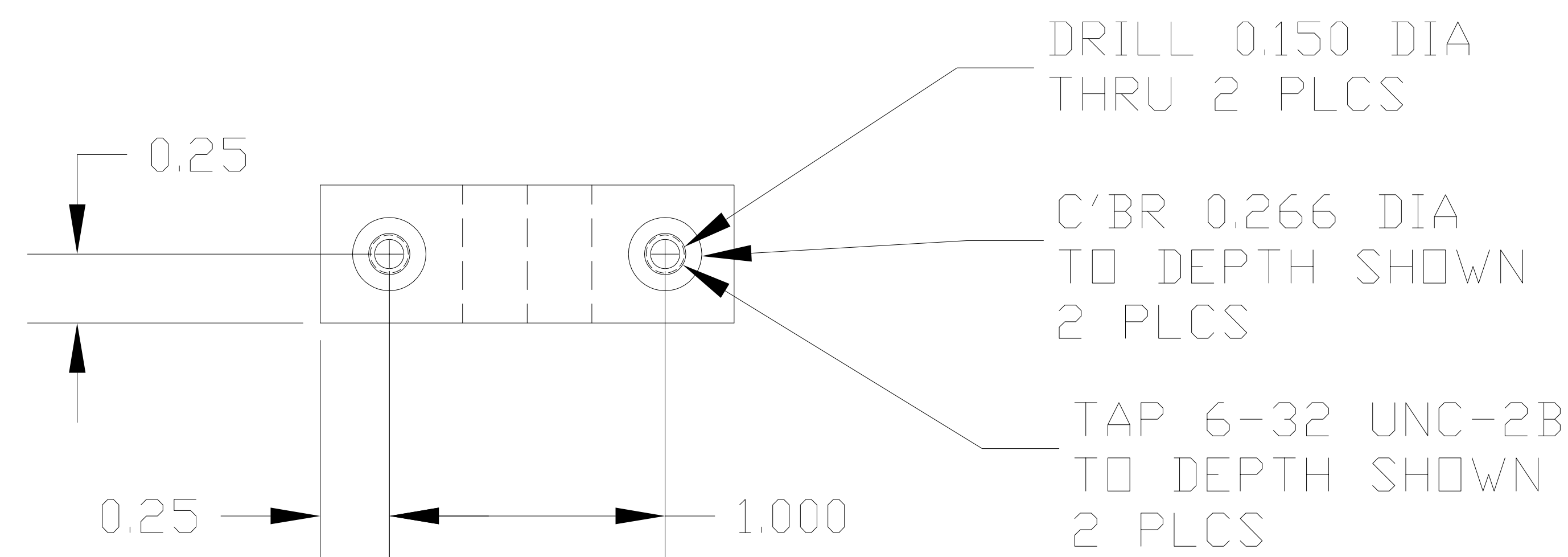


NOTES: (UNLESS OTHERWISE SPECIFIED)

REV.	DATE	DCN #	DRAWING TREE #
A	6.2.04	E040280-00	



ITEM NO.	REQ. QUANTITY	SPARE	TOT. QUANTITY	PART NUMBER	DESCRIPTION	SUPPLIER
PARTS LIST						
UNLESS OTHERWISE SPECIFIED:				DATE	NAME	CALIFORNIA INSTITUTE OF TECHNOLOGY MASSACHUSETTS INSTITUTE OF TECHNOLOGY
DIMENSIONS ARE IN INCHES				4-23-04	SMITH	
TOLERANCES:				CHECKED		SYSTEM: THERMAL COMPENSATION
.XX ±0.01						SUBSYSTEM: CO2 LASER MASK PROJECTOR
.XXX ±0.005						NEXT ASSY:
ANGULAR *1 DEG						AIM LASER MOUNT
MATERIAL ALUM 6061-T6				COMMENTS:		SIZE DWG. NO. D040169-A-D
BLACK ANODIZE						REV A
SCALE:						SHEET 1 OF 1