

8

7

6

5

4

3

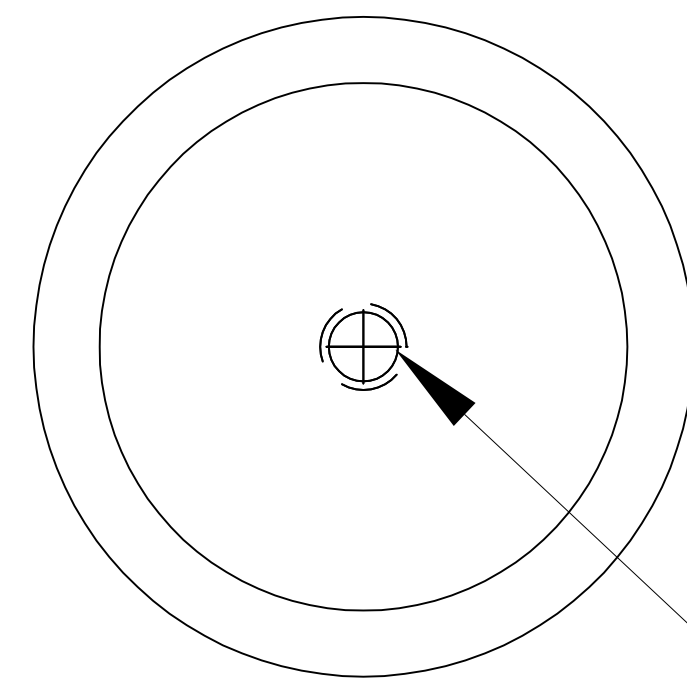
2

1

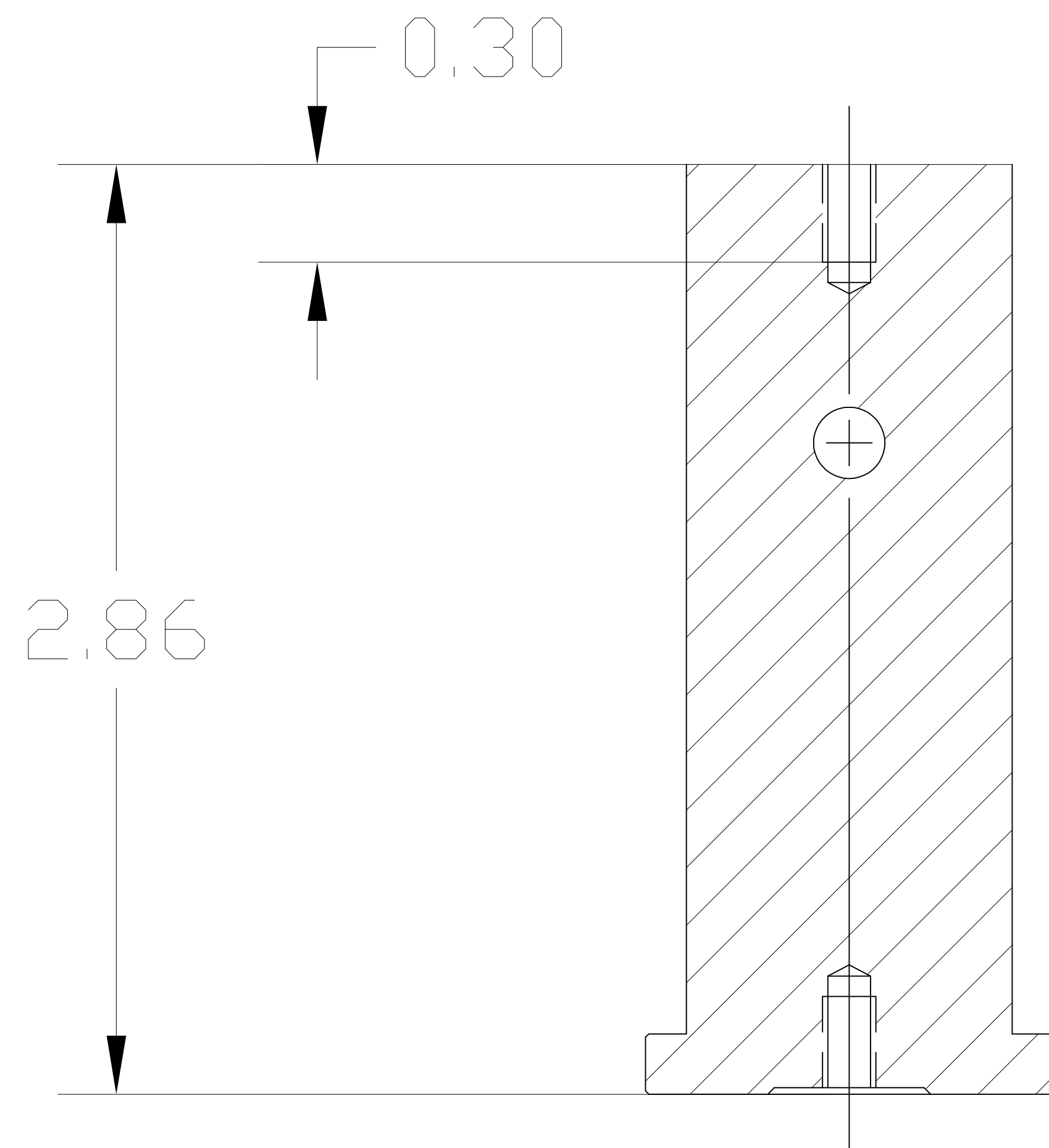
NOTES: (UNLESS OTHERWISE SPECIFIED)

MAKE FROM P/N 9956 NEW FOCUS

REV.	DATE	DCN #	DRAWING TREE #
A	6.2.04	E040280-00	



TAP 8-32
UNC-2B X 0.30
DP



ITEM NO.	REQ.	SPARE	TOT. QUANTITY	PART NUMBER	DESCRIPTION	SUPPLIER
----------	------	-------	---------------	-------------	-------------	----------

UNLESS OTHERWISE SPECIFIED:
DIMENSIONS ARE IN INCHES
TOLERANCES:
.XX ± 0.01
.XXX ± 0.005
ANGULAR:
X ± 1 DEG
.X.X ± 0.2 DEG
MATERIAL:
303 SS
FINISH:
NATURAL

	DATE	NAME
DRAWN	4-24-04	M.R. SMITH
CHECKED		

LIGO CALIFORNIA INSTITUTE OF TECHNOLOGY
MASSACHUSETTS INSTITUTE OF TECHNOLOGY

SYSTEM: THERMAL COMPENSATION
SUBSYSTEM: CO2 LASER MASK PROJECTOR
NEXT ASSY: POLARIZER HOUSING ASSY

POLARIZER PEDESTAL

SIZE DWG. NO. REV
B D040174-A-D A

SCALE: SHEET 1 OF 1

COMMENTS:
BREAK CORNERS AND EDGES
REMOVE ALL BURRS

8

7

6

5

4

3

2

1