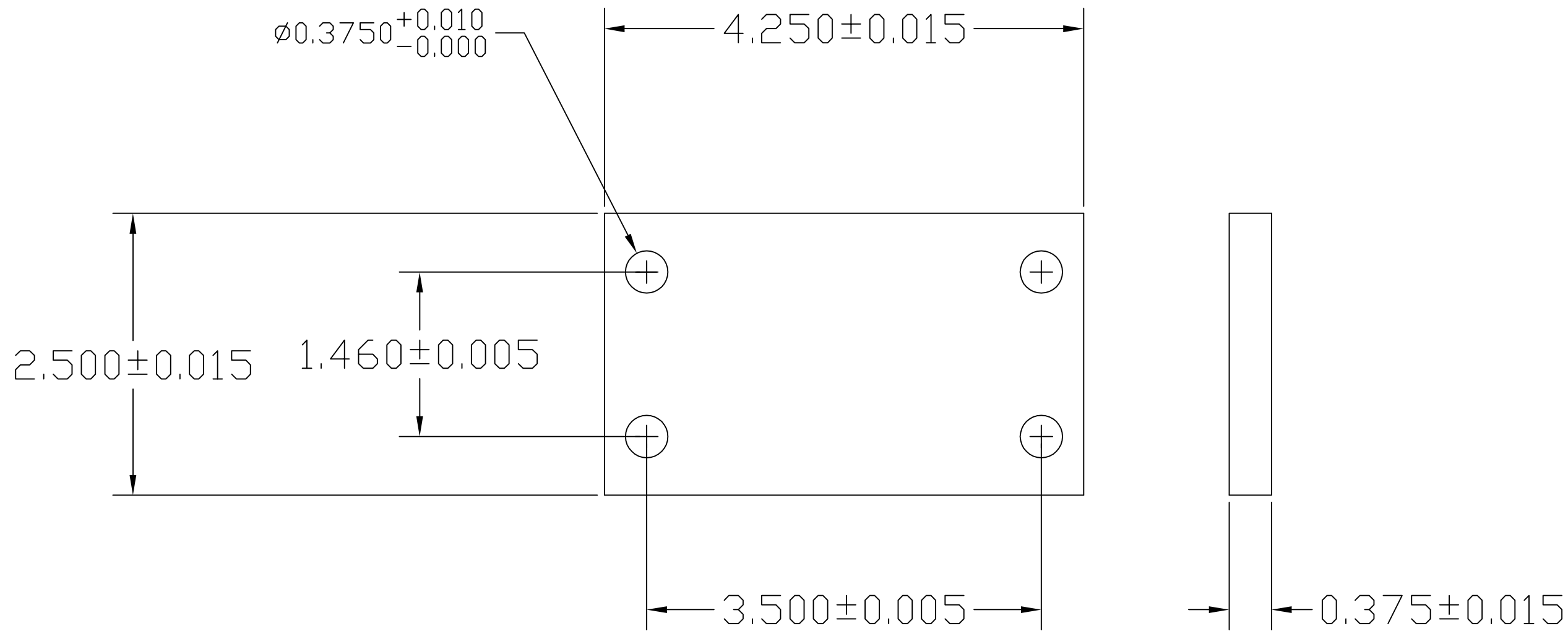


NOTES: (UNLESS OTHERWISE SPECIFIED)

MAKE 1 PER ASSEMBLY
MILD STEEL
BREAK SHARP EDGES AND CORNERS

REV.	DATE	DCN #	DRAWING TREE #
A	4/21/04	E040214-00-D	



ITEM NO.	REQ.	SPARE	TOT.	QUANTITY	PART NUMBER	DESCRIPTION	SUPPLIER
PARTS LIST							
UNLESS OTHERWISE SPECIFIED: DIMENSIONS ARE IN INCHES				DRAWN	DATE	NAME	LIGO CALIFORNIA INSTITUTE OF TECHNOLOGY MASSACHUSETTS INSTITUTE OF TECHNOLOGY
TOLERANCES: .XX±: .XXX±: ANGULAR:±				CHECKED	4/21/04	KENM	SYSTEM EPI
MATERIAL MILD STEEL				COMMENTS:			SUB-SYSTEM HEPI
FINISH LIGO BLUE PAINT							NEXT ASSY TBD
							PART NAME LLO RESERVOIR CLAMP PLATE
							SIZE B DWG. NO. D040204-A REV A
							SCALE: SHEET 1 OF 1