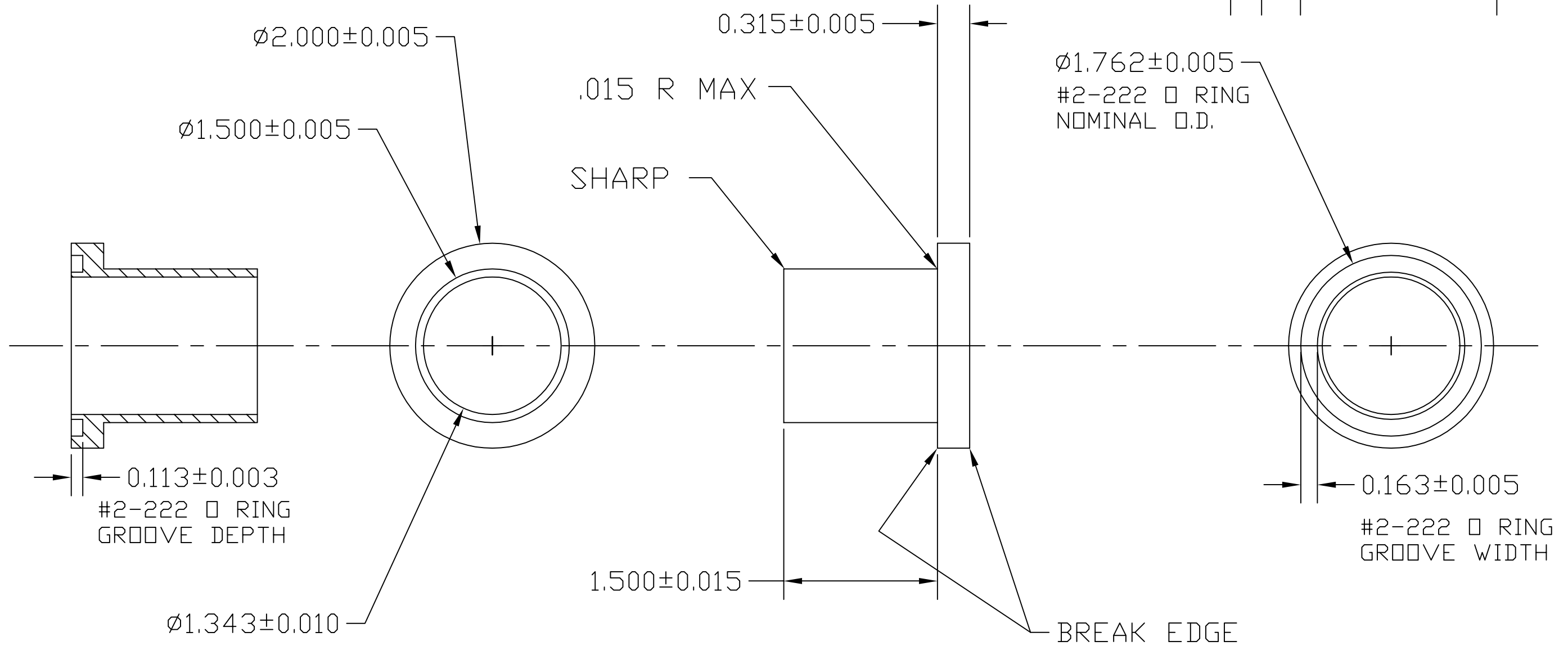


NOTES: (UNLESS OTHERWISE SPECIFIED)

MAKE 2 TOTAL
303/304 STAINLESS

REV.	DATE	DCN #	DRAWING TREE #
A	4/21/04	E040214-00-D	



ITEM NO.	REQ. QUANTITY	SPARE	TOT.	PART NUMBER	DESCRIPTION	SUPPLIER
PARTS LIST						
UNLESS OTHERWISE SPECIFIED: DIMENSIONS ARE IN INCHES				DRAWN	DATE	NAME
TOLERANCES: .XX±: .XXX±: ANGULAR:±				CHECKED	4/21/04	KENM
MATERIAL SEE NOTE				LIGO CALIFORNIA INSTITUTE OF TECHNOLOGY MASSACHUSETTS INSTITUTE OF TECHNOLOGY		
FINISH NONE				SYSTEM LLO		
				SUB-SYSTEM HEPI		
				NEXT ASSY TBD		
				PART NAME LLO VERTEX RESERVOIR/HOUSE PIPE CONNECTOR		
				SIZE	DWG. NO.	REV
				B	D040224-A	A
				SCALE:	SHEET 1 OF 1	