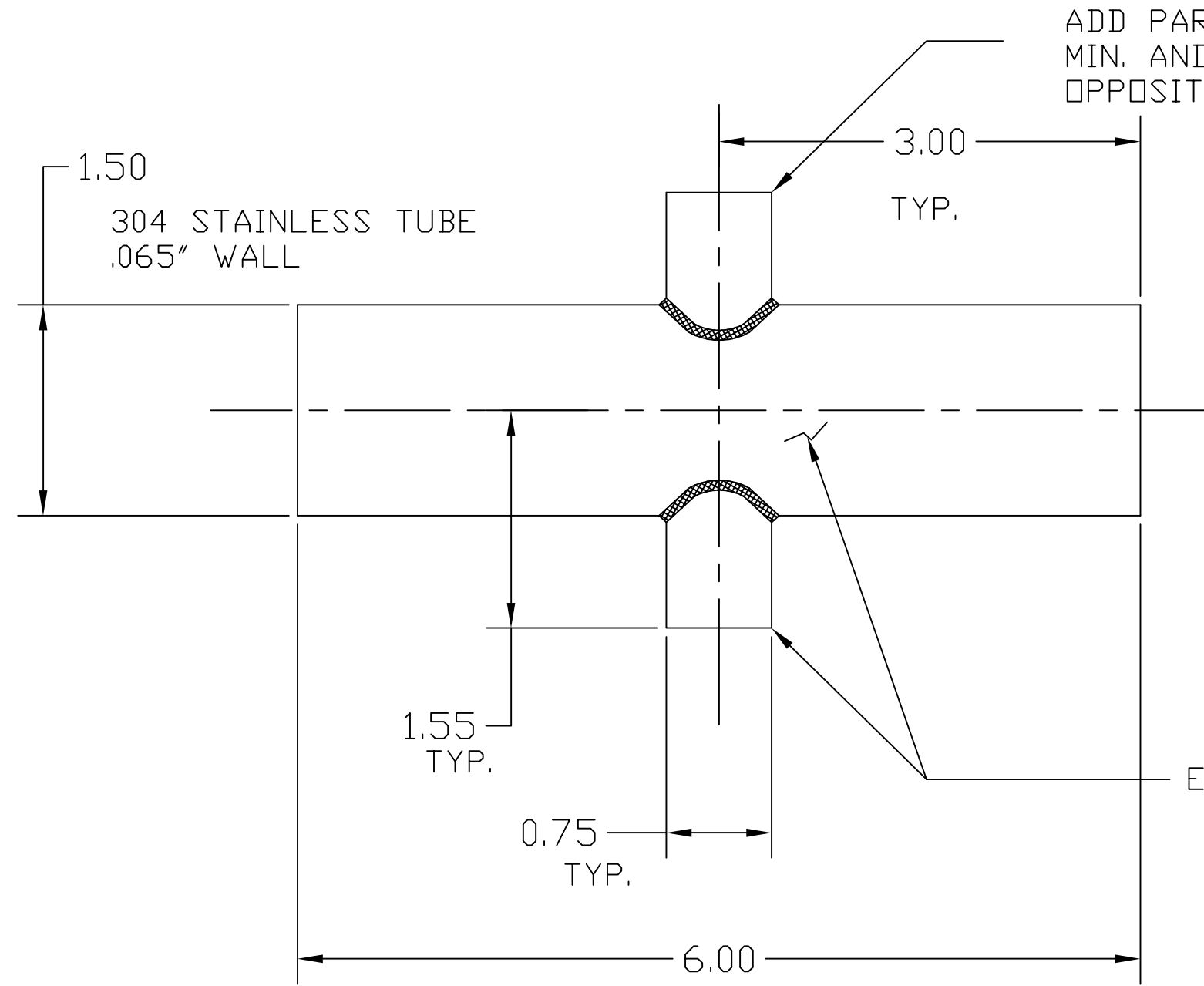
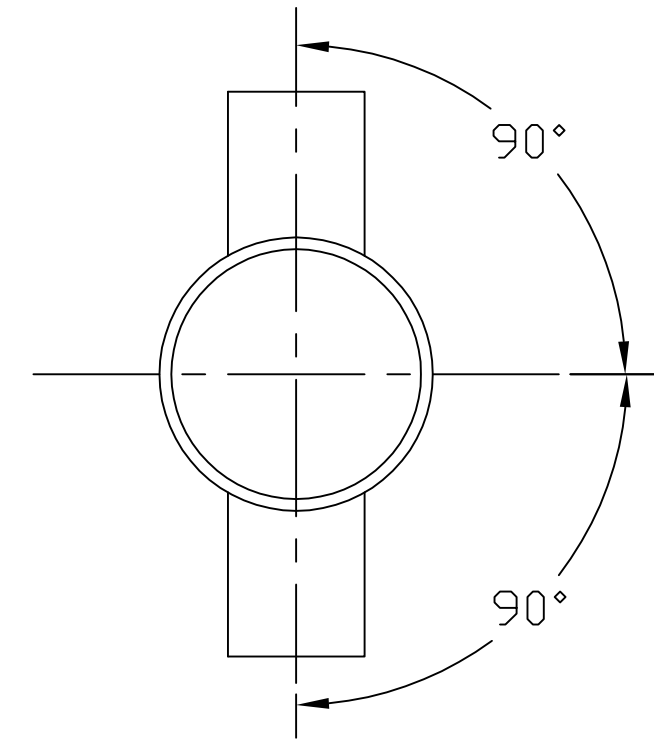


NOTES: (UNLESS OTHERWISE SPECIFIED)
 MAKE 1 FOR LLO VERTEX
 303/304 STAINLESS ASSEMBLY

REV.	DATE	DCN #	DRAWING TREE #
A	4/21/04	E040214-00-D	



ADD PART W/ 7/16-20 THD .50 DEEP
 MIN. AND #33 PORT FEATURE [SAME AS
 OPPOSITE SIDE]



SEE D040213-A FOR
 LOCATION

ITEM NO.	REQ.	SPARE	TOT. QUANTITY	PART NUMBER	DESCRIPTION	SUPPLIER
PARTS LIST						
UNLESS OTHERWISE SPECIFIED: DIMENSIONS ARE IN INCHES				DATE	NAME	LIGO CALIFORNIA INSTITUTE OF TECHNOLOGY MASSACHUSETTS INSTITUTE OF TECHNOLOGY
TOLERANCES: .XX±: .XXX±: ANGULAR:±				DRAWN	4/21/04	KENM
MATERIAL SEE NOTE				CHECKED		SYSTEM EPI
FINISH NA						SUB-SYSTEM HEPI
						NEXT ASSY TBD
				COMMENTS:		PART NAME LLO VERTEX GAGE AND SENSOR FITTING
SIZE B		DWG. NO. D040229-A		REV A		
SCALE:						SHEET 1 OF 1