

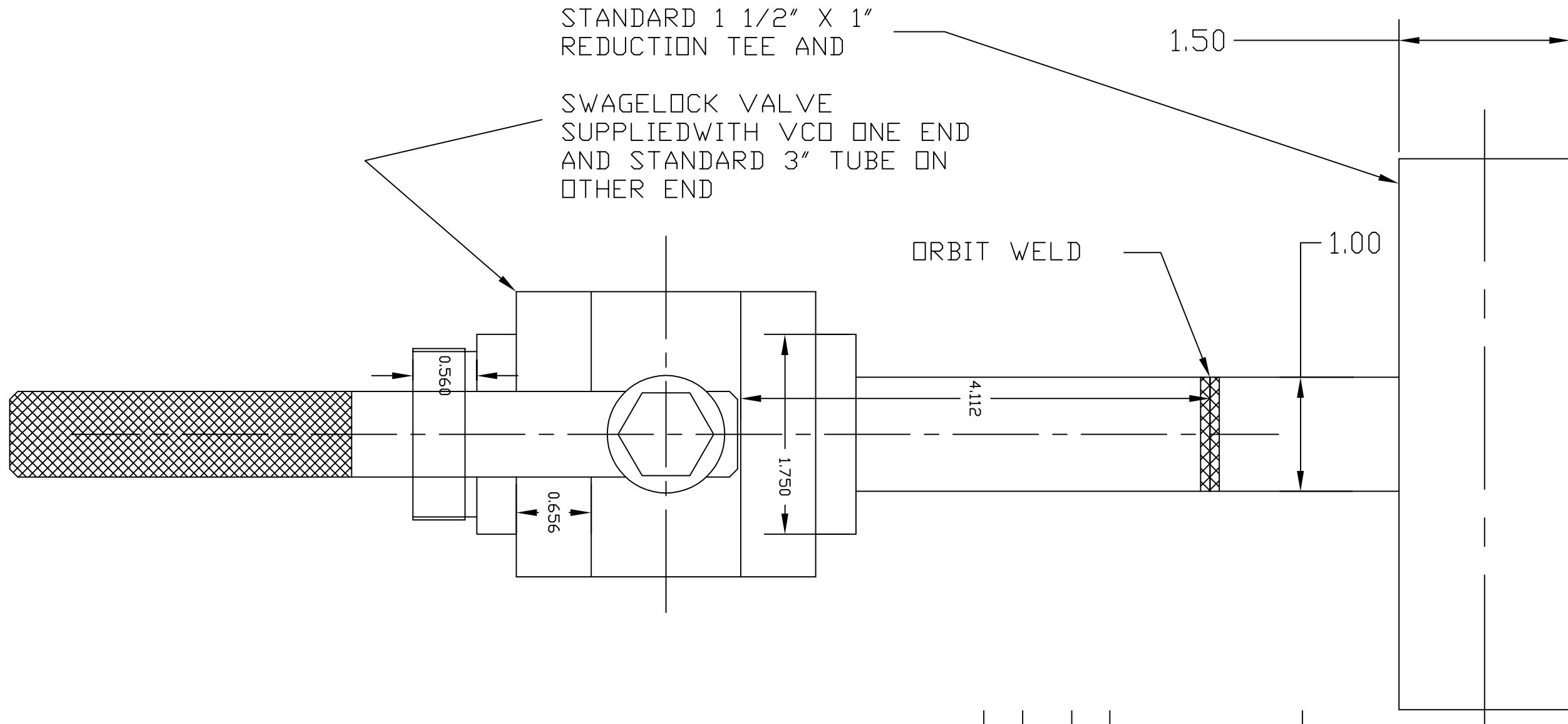
NOTES: (UNLESS OTHERWISE SPECIFIED)

MAKE 8 FOR LLO VERTEX 2 PER PUMP STATION

316 STAINLESS ASSEMBLY

TEE AND VALVE SUPPLIED

REV.	DATE	DCN #	DRAWING TREE #
A	4/21/04	E040214-00-D	



SEE D040213-A FOR LOCATION

ITEM NO.	REQ.	SPARE	TOT. QUANTITY	PART NUMBER	DESCRIPTION	SUPPLIER
PARTS LIST						
UNLESS OTHERWISE SPECIFIED: DIMENSIONS ARE IN INCHES				DATE	NAME	LIGO CALIFORNIA INSTITUTE OF TECHNOLOGY MASSACHUSETTS INSTITUTE OF TECHNOLOGY
TOLERANCES: .XX±: .XXX±: ANGULAR:±				DRAWN	4/21/04	KENM
MATERIAL SEE NOTE				CHECKED		SYSTEM EPI
FINISH NA						SUB-SYSTEM HEPI
						NEXT ASSY TBD
				COMMENTS:		PART NAME LLO VERTEX MANIFOLD VALVE
						SIZE DWG. NO. D040231-A
						REV A
						SCALE: SHEET 1 OF 1