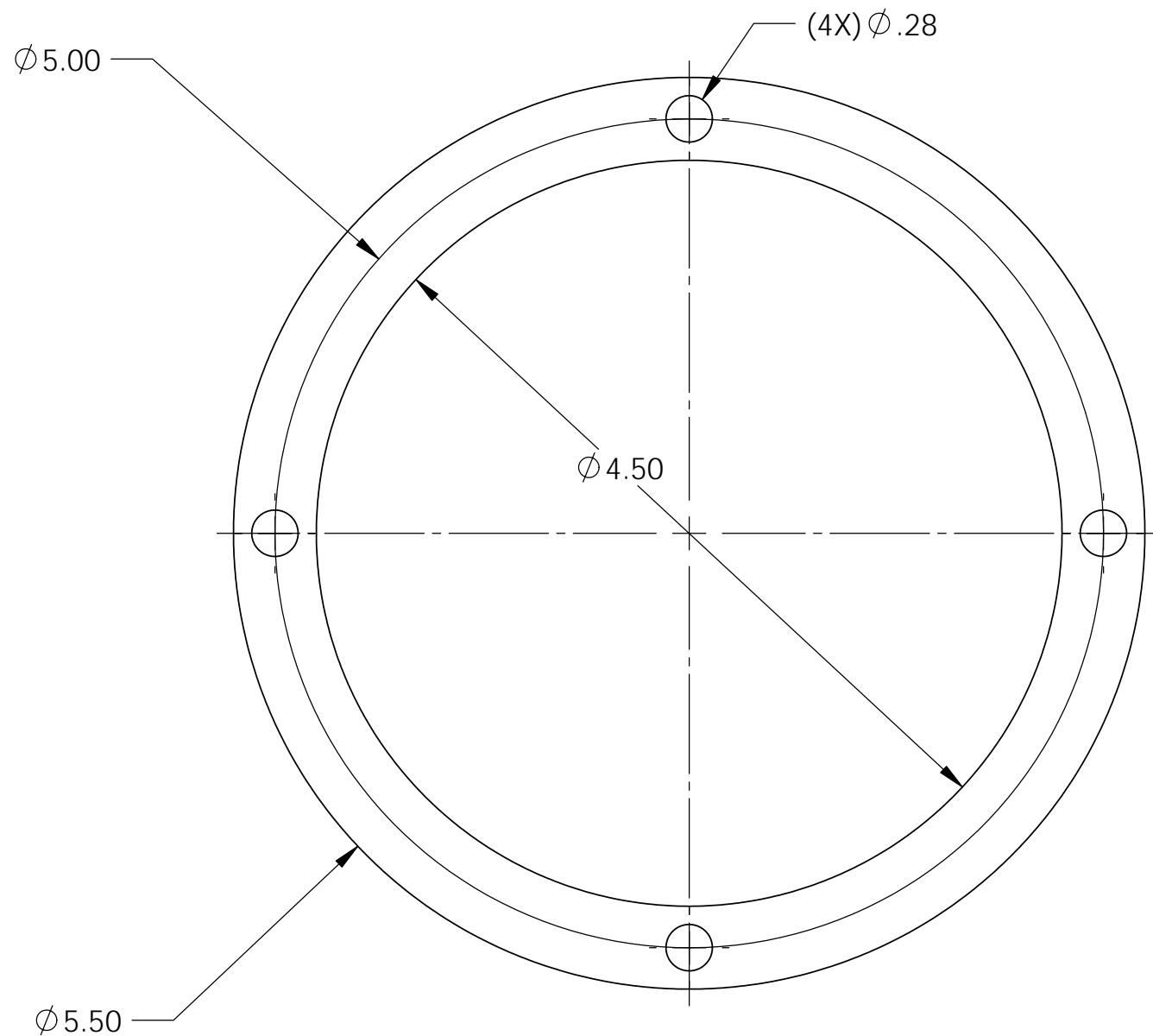



NOTES: (UNLESS OTHERWISE SPECIFIED)

REV.	DATE	DCN #	DRAWING TREE #
A	5/04	E040266-00	



ITEM NO.	REQ.	SPARE	TOT.	PART NUMBER	DESCRIPTION	SUPPLIER
PARTS LIST						
UNLESS OTHERWISE SPECIFIED: DIMENSIONS ARE IN INCHES				DATE	NAME	 CALIFORNIA INSTITUTE OF TECHNOLOGY MASSACHUSETTS INSTITUTE OF TECHNOLOGY
TOLERANCES: .XX±: .01 .XXX±: .005 ANGULAR: ± 1 DEG				DRAWN		
MATERIAL 6061-T6 ALUM				CHECKED	KMASON 5/20/04	SYSTEM
FINISH CLEAR ANODIZE				COMMENTS:		SUB-SYSTEM
						NEXT ASSY LASER THERMAL COMPENSATOR
						PART NAME FLANGE, BEAM TUBE ADAPTER
				SIZE	DWG. NO. D040258-A-D	REV A
				SCALE:		SHEET 1 OF 1