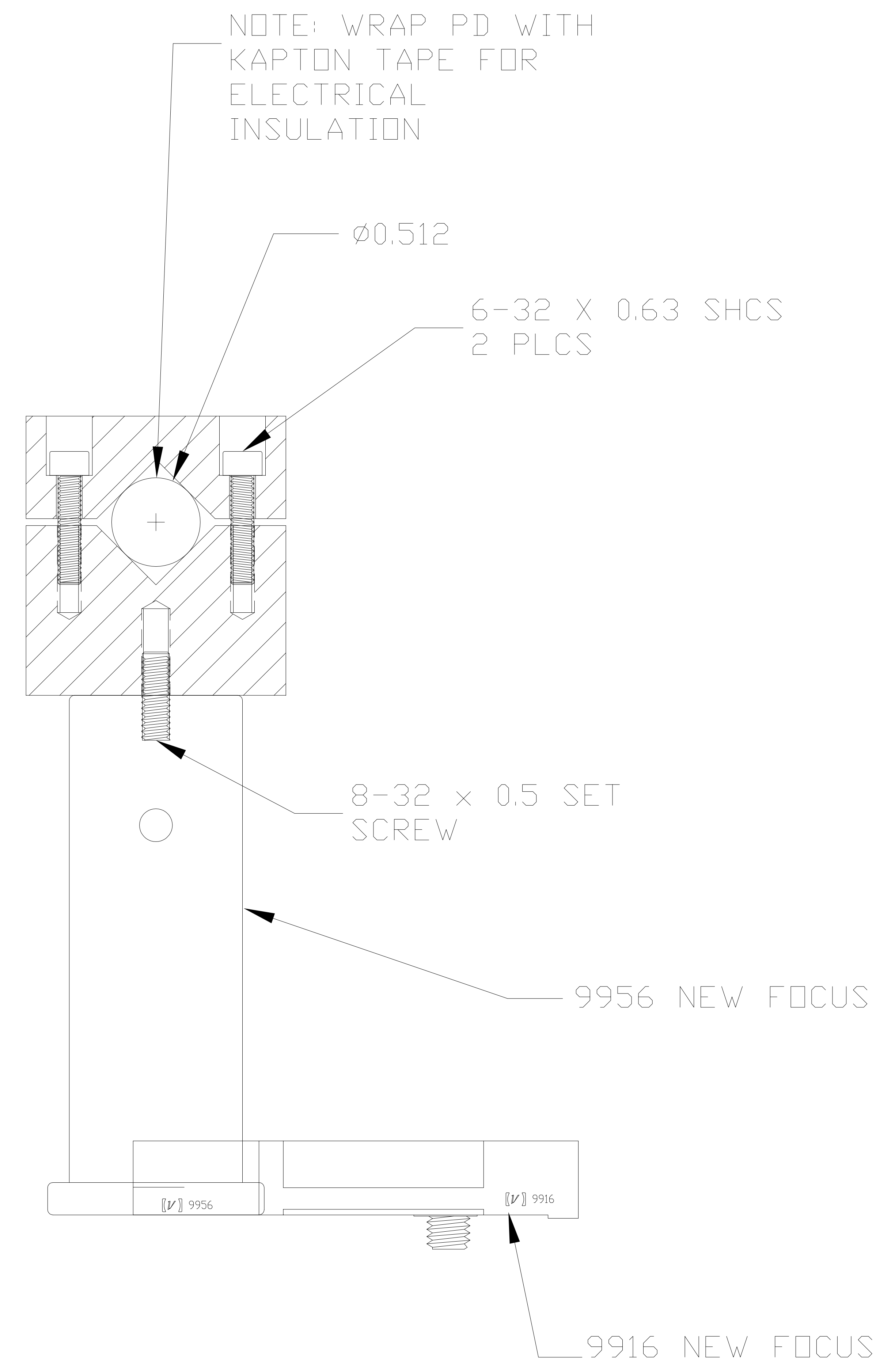
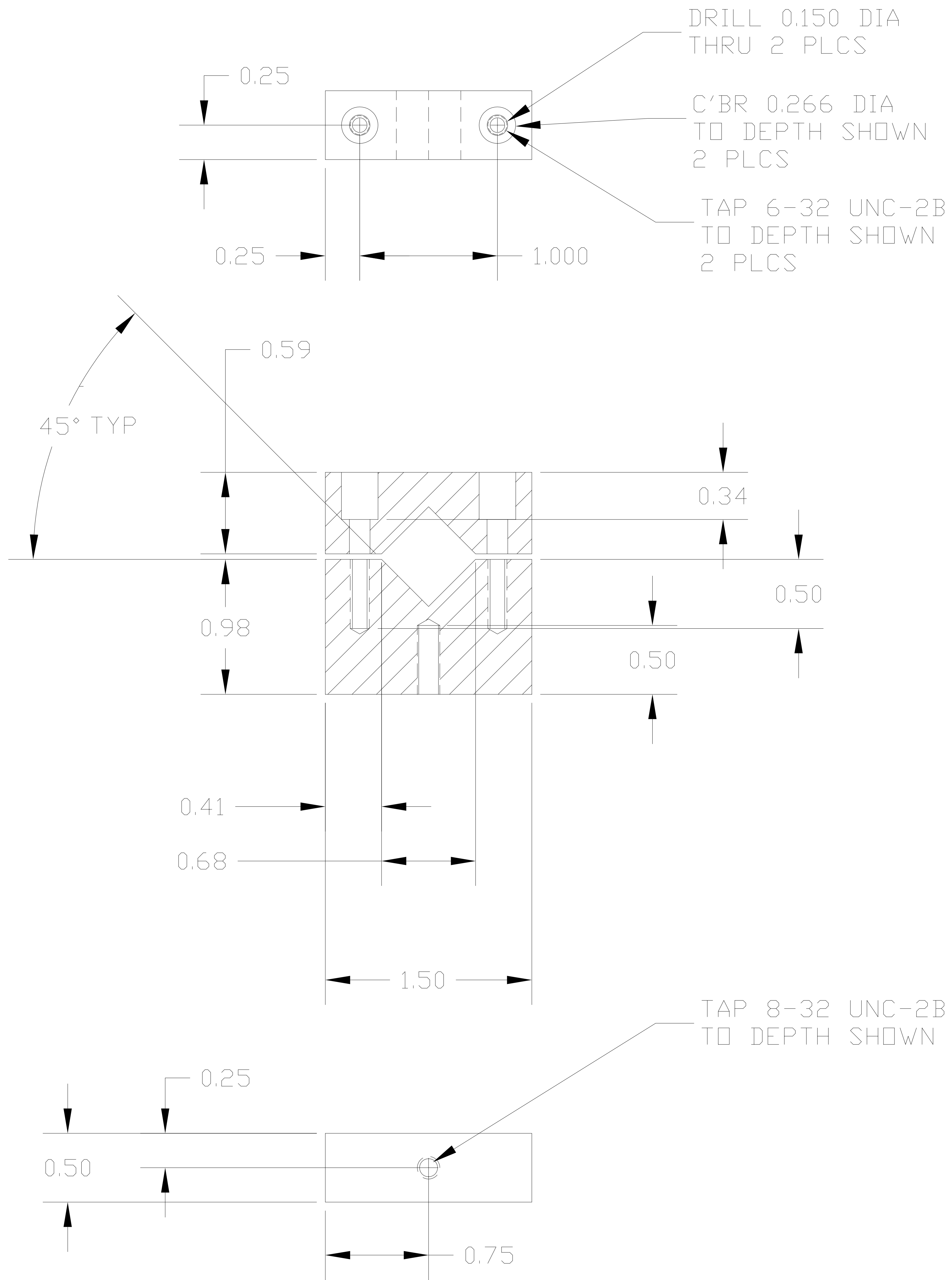


NOTES: (UNLESS OTHERWISE SPECIFIED)

REV.	DATE	DCN #	DRAWING TREE #
A	-	-	



ITEM NO.	REQ. QUANTITY	SPARE QUANTITY	TOT. QUANTITY	PART NUMBER	DESCRIPTION	SUPPLIER
PARTS LIST						
UNLESS OTHERWISE SPECIFIED:				DATE	NAME	CALIFORNIA INSTITUTE OF TECHNOLOGY MASSACHUSETTS INSTITUTE OF TECHNOLOGY
DIMENSIONS ARE IN INCHES				DRAWN	SMITH	
TOLERANCES:				CHECKED		THERMAL COMPENSATION
.XX ±0.01						CO2 LASER MASK PROJECTOR
.XXX ±0.005						
ANGULAR ±1 DEG						PD MOUNT
MATERIAL ALUM 6061-T6				COMMENTS:		SIZE DWG. NO. D040263-00-D
BLACK ANODIZE						REV 00
SCALE:						SHEET 1 OF 1