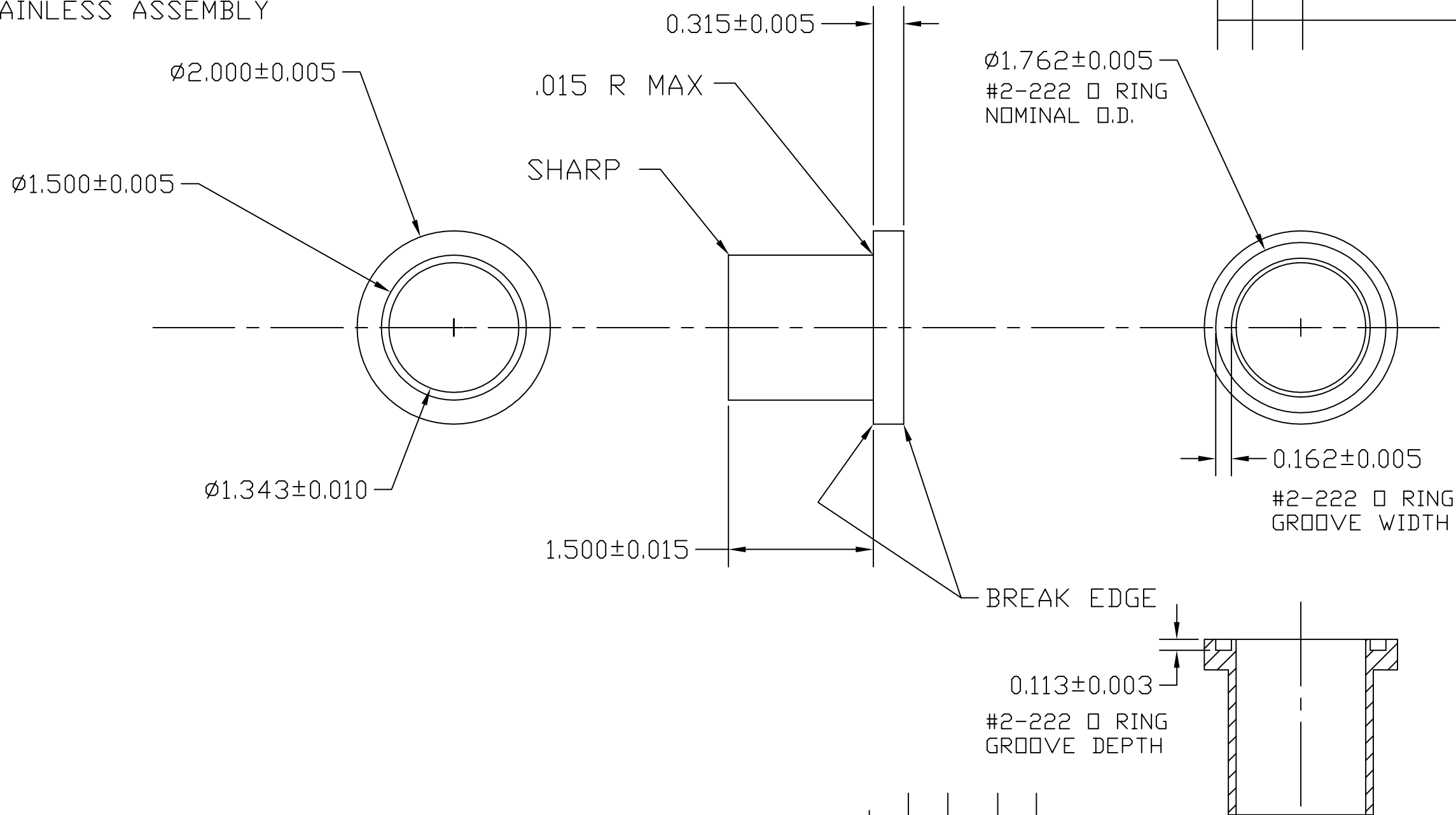


NOTES: (UNLESS OTHERWISE SPECIFIED)
 MAKE 2 FOR LLO VERTEX
 303/304 STAINLESS ASSEMBLY

REV.	DATE	DCN #	DRAWING TREE #
A	4/21/04	E040214-00-D	



SEE D040213-A FOR LOCATION

ITEM NO.	REQ.	SPARE	TOT.	QUANTITY	PART NUMBER	DESCRIPTION	SUPPLIER
PARTS LIST							
UNLESS OTHERWISE SPECIFIED:				DATE	NAME	LIGO CALIFORNIA INSTITUTE OF TECHNOLOGY MASSACHUSETTS INSTITUTE OF TECHNOLOGY	
DIMENSIONS ARE IN INCHES				DRAWN	4/21/04	KENM	
TOLERANCES:				CHECKED			SYSTEM EPI
.XX±:							SUB-SYSTEM HEPI
.XXX±:							NEXT ASSY TBD
ANGULAR:±							PART NAME LLO VERTEX RESERVOIR HOUSE LINE FITTING SAE
MATERIAL				COMMENTS:		SIZE	DWG. NO.
SEE NOTE						B	D040264-A
FINISH NA						REV	A
SCALE:						SHEET 1 OF 1	