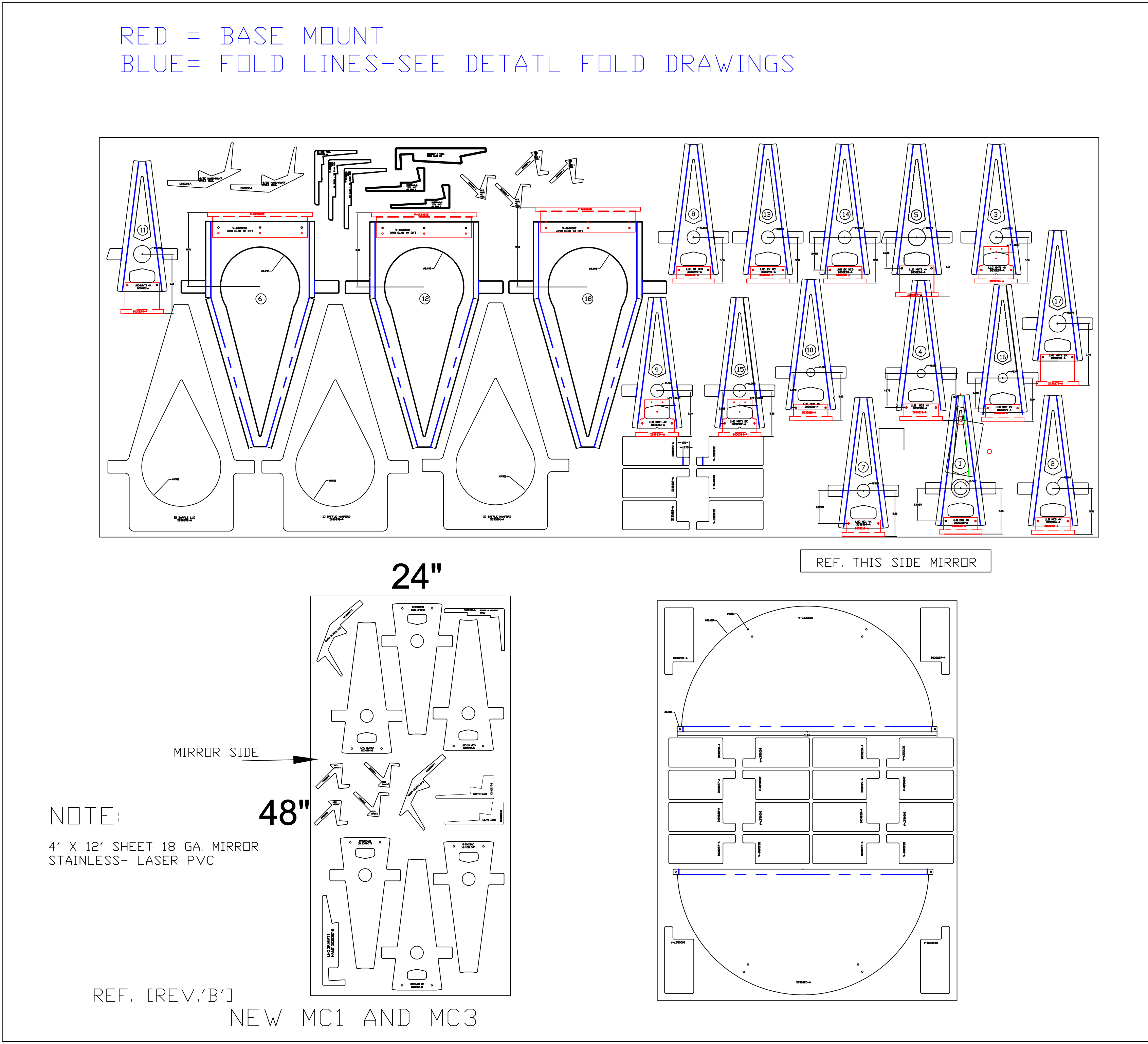


NOTES: (UNLESS OTHERWISE SPECIFIED)

SCALED AT 10% (1/10)

REV.	DATE	DCN #	DRAWING TREE #
A	4-20-04	E040276-A	



ITEM NO.	REQ. QUANTITY	SPARE	TOT.	PART NUMBER	DESCRIPTION	SUPPLIER
PARTS LIST						
UNLESS OTHERWISE SPECIFIED				DATE	NAME	
DIMENSIONS ARE IN INCHES				4-20-04	KEVIN	
TOLERANCES:				DRAWN		
XXX ±				CHECKED		
ANGULAR ±				SYSTEM		
MATERIAL				SUB-SYSTEM LLD/LHD		
FINISH				NEXT ASSY		
HIGH TEMP. BAKE				PART NAME MASTER LASER CUT DRAWING		
COMMENTS				SIZE	DWG. NO.	REV
				D	D040276-A	A
				SCALE:	SHEET 1 OF 1	