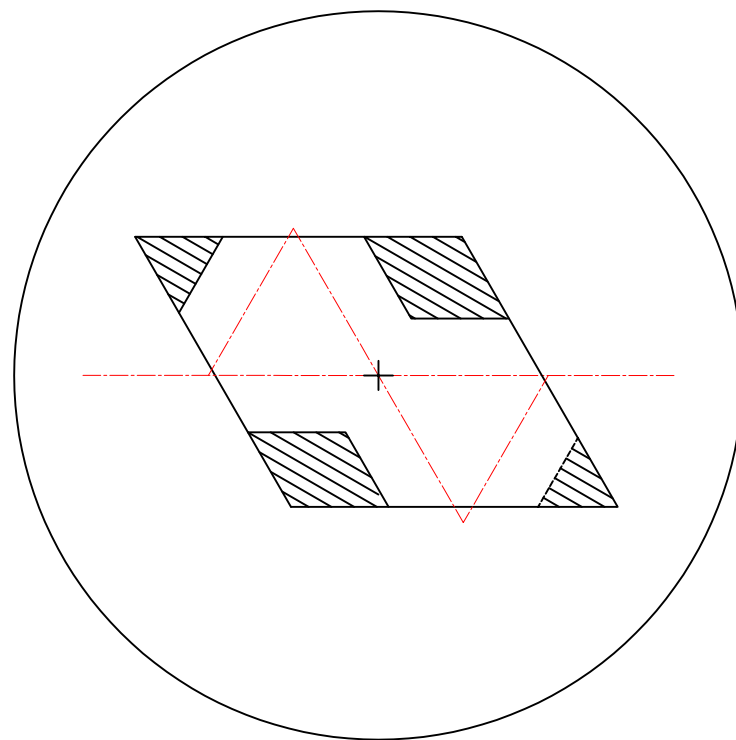
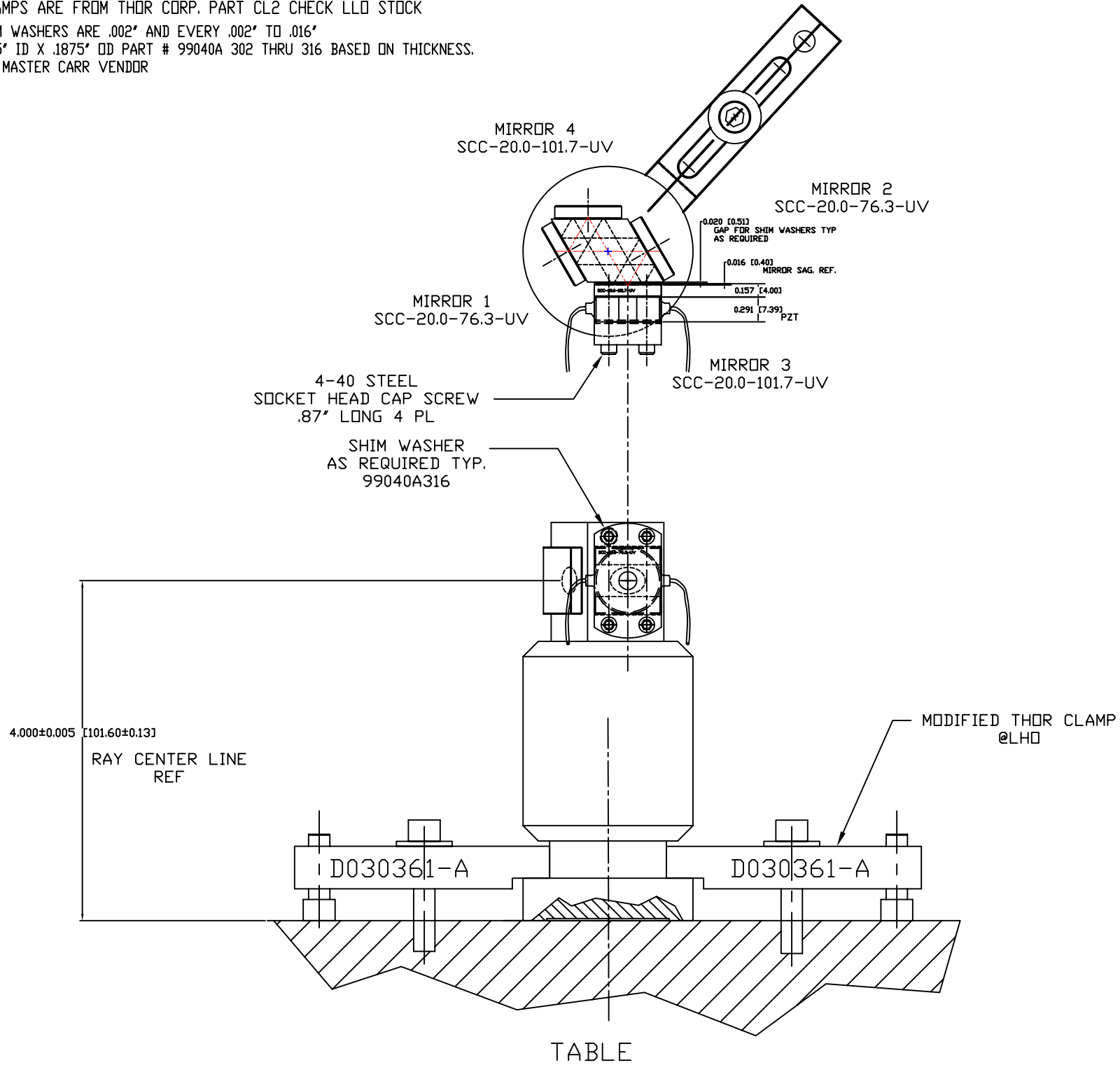


NOTES: (UNLESS OTHERWISE SPECIFIED)

- MIRRORS ARE FROM CVI INC.
- CLAMPS ARE FROM THOR CORP. PART CL2 CHECK LLO STOCK
- SHIM WASHERS ARE .002" AND EVERY .002" TO .016" .125" ID X .1875" OD PART # 99040A 302 THRU 316 BASED ON THICKNESS. MC MASTER CARR VENDOR

REV.	DATE	DCH #	DRAWING TREE #
A	11-16-04	LIGO-E040474-00-D	



TOP VIEW ENLARGED
SECTION VIEW AT BEAM
CENTER LINE

ITEM NO.	REQ. QUANTITY	SPARE	TOT. QUANTITY	PART NUMBER	DESCRIPTION	SUPPLIER
PARTS LIST						
UNLESS OTHERWISE SPECIFIED:				DATE	NAME	
DIMENSIONS ARE IN INCHES				DRAWN	9/1/04	KENN
TOLERANCES:				CHECKED		
XX ± .005						
XXX ± .01						
ANGULAR ± 3 DEG						
MATERIAL				COMMENTS		
INVAR 36						
FREE MACHINING						
FINISH						
NONE						
					SIZE	DWG. NO.
					C	D040444-A
					SCALE:	REV
						SHEET 1 OF 1