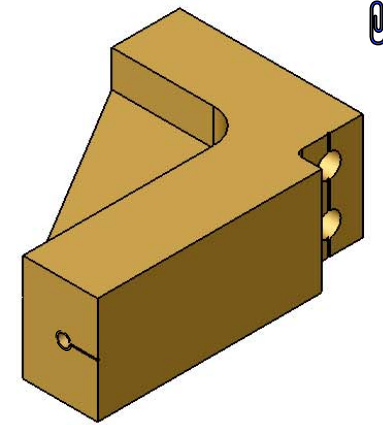
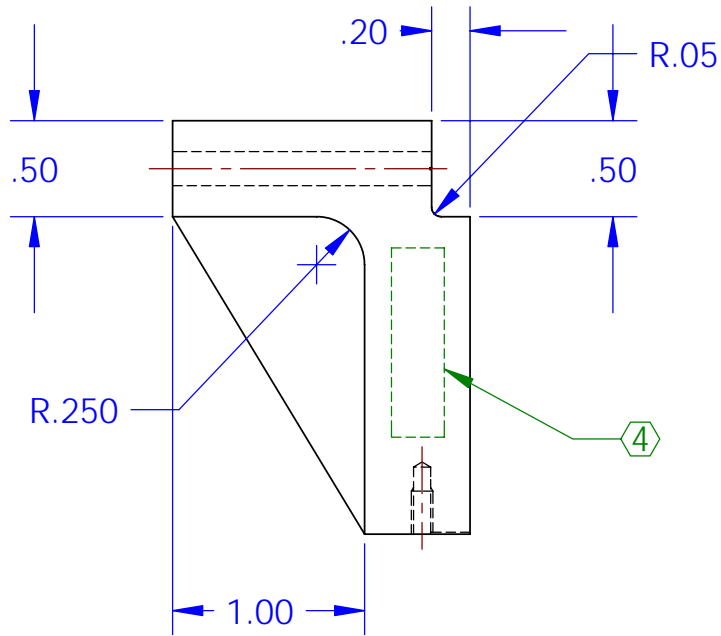
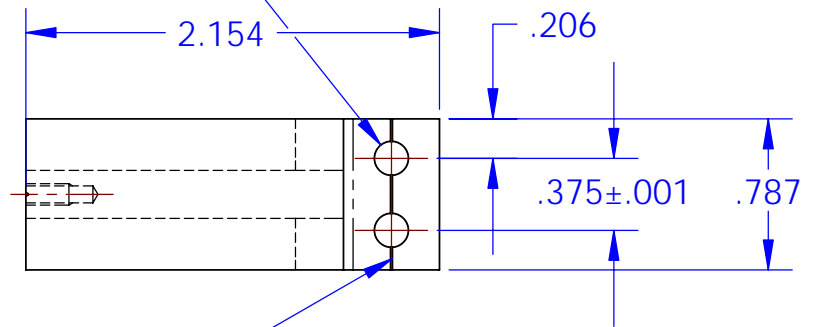
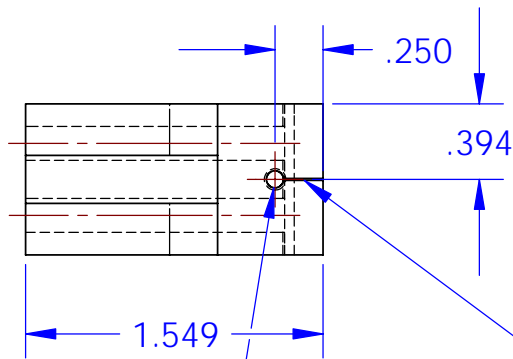


REV.	DATE	DCN #	DRAWING TREE #
A	23MAR05	E050063-00-K	E0500062-A-K



2X  $\phi$ .177 THRU ALL



ADD VENT GROOVES  
.02 WIDE BY .02 DEEP

DRILL PILOT  $\nabla$ .35  
4-40 UNC -2B  $\nabla$ .22  
+.005 OVERSIZE TAP

NOTES: (UNLESS OTHERWISE SPECIFIED)		DIMENSIONS ARE IN INCHES		LIGO CALIFORNIA INSTITUTE OF TECHNOLOGY MASSACHUSETTS INSTITUTE OF TECHNOLOGY IGR, GLASGOW UNIVERSITY GEO 600 GROUP													
1. DO NOT SCALE FROM DRAWING 2. REMOVE ALL SHARP EDGES, R.02 MAX. 3. ALL MACHINING FLUIDS SHALL BE WATER SOLUBLE AND FREE OF SULFUR, CHLORINE AND SILICONE, SUCH AS CINCINNATI MILACRON'S CIMTECH 410 (STAINLESS STEEL)		TOLERANCES: .XX ± 0.01 .XXX ± 0.005 ANGULAR ± 0.5°		SYSTEM <b>ADVANCED LIGO</b>													
④ SCRIBE, ENGRAVE OR MECHANICALLY STAMP DRAWING (NO INKS OR DYES) PART NUMBER, REVISION ON NOTED SURFACE OF PART FOLLOWED ON THE NEXT LINE WITH A THREE DIGIT SERIAL NUMBER. SERIAL NUMBERS START AT 001 FOR THE FIRST ARTICLE AND PROCEED CONSECUTIVELY. USE .12" HIGH CHARACTERS, UNLESS THE SIZE OF THE PART DICTATES SMALL CHARACTERS. A VIBRATORY TOOL MAY BE USED. EXAMPLE: D050035-A S/N 001		MATERIAL <b>6061-T6-AL</b>		SUB-SYSTEM <b>SUS</b>													
		FINISH <b>32 μ inch</b>		NEXT ASSY <b>C-Ptype ETM TOP MASS</b>													
		<table border="1"> <thead> <tr> <th></th> <th>NAME</th> <th>DATE</th> </tr> </thead> <tbody> <tr> <td>DRAWN</td> <td>M.Perreur-Lloyd</td> <td>07JUL04</td> </tr> <tr> <td>CHECKED</td> <td>C.Torrie</td> <td>30SEP04</td> </tr> <tr> <td>APPROVED</td> <td></td> <td></td> </tr> </tbody> </table>			NAME	DATE	DRAWN	M.Perreur-Lloyd	07JUL04	CHECKED	C.Torrie	30SEP04	APPROVED			PART NAME <b>PITCH FLAG MOUNT</b>	
	NAME	DATE															
DRAWN	M.Perreur-Lloyd	07JUL04															
CHECKED	C.Torrie	30SEP04															
APPROVED																	
		<table border="1"> <thead> <tr> <th>SIZE</th> <th>DWG. NO.</th> <th>REV.</th> </tr> </thead> <tbody> <tr> <td><b>A</b></td> <td><b>D040461</b></td> <td><b>A</b></td> </tr> </tbody> </table>		SIZE	DWG. NO.	REV.	<b>A</b>	<b>D040461</b>	<b>A</b>	SCALE: 1:2 PROJECTION:  SHEET 1 OF 1							
SIZE	DWG. NO.	REV.															
<b>A</b>	<b>D040461</b>	<b>A</b>															