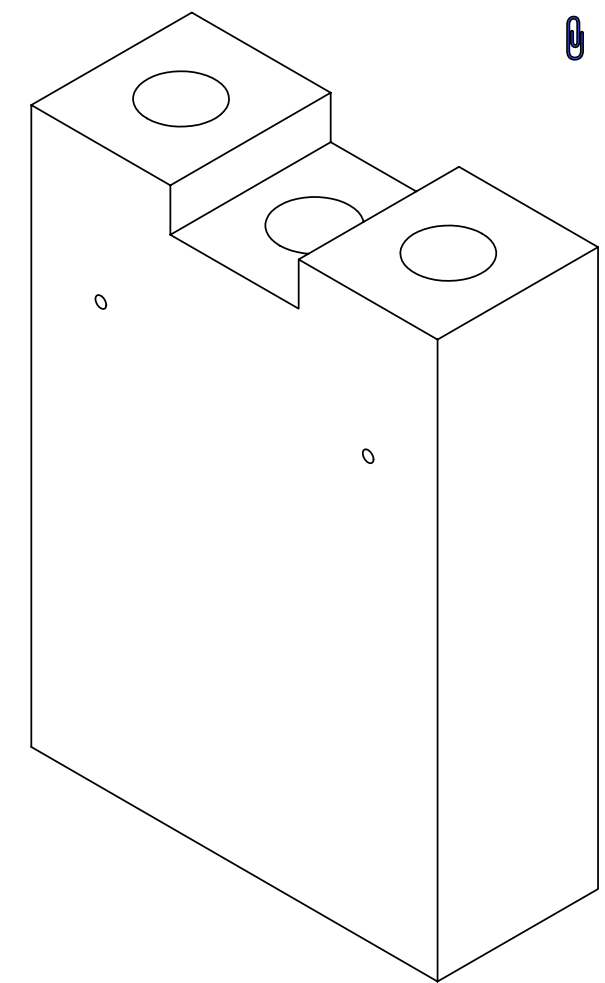
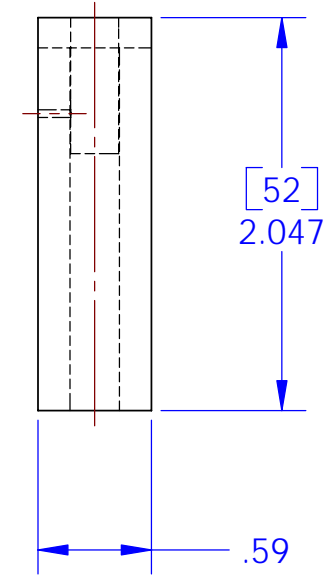
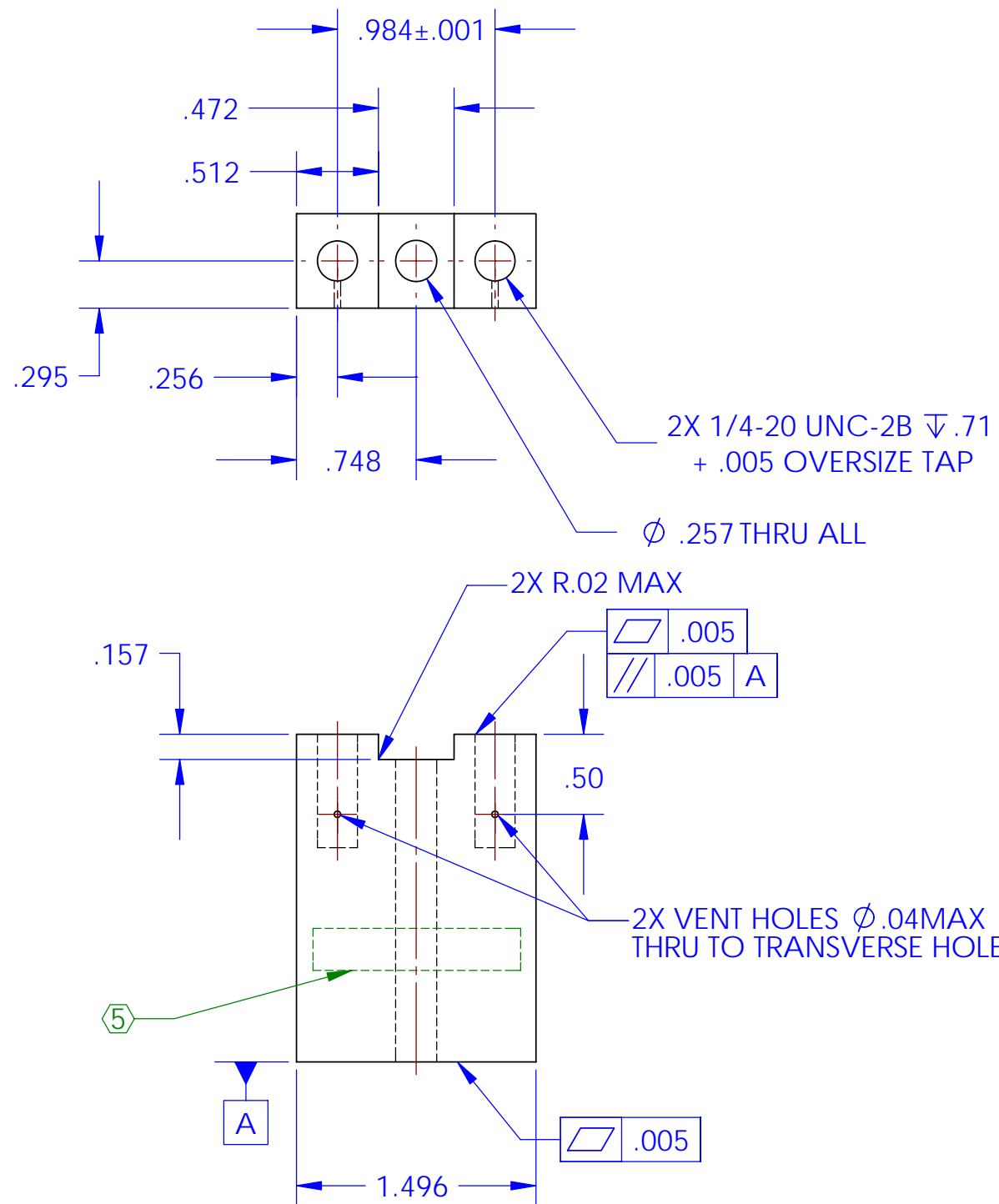


REV.	DATE	DCN #	DRAWING TREE #
A	23MAR05	E050063-00-K	E0500062-A-K



PARTS LIST																													
NOTES: (UNLESS OTHERWISE SPECIFIED) 1. DO NOT SCALE FROM DRAWING. 2. REMOVE ALL SHARP EDGES, R.02 MIN. 3. ALL MACHINING FLUIDS SHALL BE WATER SOLUBLE AND FREE OF SULFUR, CHLORINE AND SILICONE, SUCH AS CINCINNATI MILACRON'S CIMTECH 410 (STAINLESS STEEL) 4. DUAL DIMENSIONS FOR INTERNAL USE ⑤ SCRIBE, ENGRAVE OR MECHANICALLY STAMP DRAWING (NO INKS OR DYES) PART NUMBER, REVISION ON NOTED SURFACE OF PART FOLLOWED ON THE NEXT LINE WITH A THREE DIGIT SERIAL NUMBER. SERIAL NUMBERS START AT 001 FOR THE FIRST ARTICLE AND PROCEED CONSECUTIVELY. USE .12" HIGH CHARACTERS, UNLESS THE SIZE OF THE PART DICTATES SMALL CHARACTERS. A VIBRATORY TOOL MAY BE USED. EXAMPLE: D050035-A S/N 001																													
DIMENSIONS ARE IN INCHES																													
TOLERANCES: .XX ± 0.01 .XXX ± 0.005																													
ANGULAR ± 0.5 °																													
MATERIAL 303/304 SST																													
FINISH 32 μ inch																													
<table border="1"> <thead> <tr> <th></th> <th>NAME</th> <th>DATE</th> </tr> </thead> <tbody> <tr> <td>DRAWN</td> <td>M.Perreux-Lloyd</td> <td>22SEP04</td> </tr> <tr> <td>CHECKED</td> <td>C.Torrie</td> <td>25SEP04</td> </tr> <tr> <td>APPROVED</td> <td></td> <td></td> </tr> </tbody> </table>				NAME	DATE	DRAWN	M.Perreux-Lloyd	22SEP04	CHECKED	C.Torrie	25SEP04	APPROVED																	
	NAME	DATE																											
DRAWN	M.Perreux-Lloyd	22SEP04																											
CHECKED	C.Torrie	25SEP04																											
APPROVED																													
<table border="1"> <tr> <td colspan="2">SYSTEM</td> <td>ADVANCED LIGO</td> </tr> <tr> <td colspan="2">SUB-SYSTEM</td> <td>SUS</td> </tr> <tr> <td colspan="2">NEXT ASSY</td> <td>C-Ptype ETM TOP MASS</td> </tr> <tr> <td colspan="3">PART NAME</td> </tr> <tr> <td colspan="3">Upper-Lower Side Block</td> </tr> <tr> <td>SIZE</td> <td>DWG. NO.</td> <td>REV.</td> </tr> <tr> <td>B</td> <td>D040489</td> <td>A</td> </tr> <tr> <td>SCALE:</td> <td>1:1</td> <td>PROJECTION:</td> </tr> <tr> <td colspan="2"></td> <td>SHEET 1 OF 1</td> </tr> </table>			SYSTEM		ADVANCED LIGO	SUB-SYSTEM		SUS	NEXT ASSY		C-Ptype ETM TOP MASS	PART NAME			Upper-Lower Side Block			SIZE	DWG. NO.	REV.	B	D040489	A	SCALE:	1:1	PROJECTION:			SHEET 1 OF 1
SYSTEM		ADVANCED LIGO																											
SUB-SYSTEM		SUS																											
NEXT ASSY		C-Ptype ETM TOP MASS																											
PART NAME																													
Upper-Lower Side Block																													
SIZE	DWG. NO.	REV.																											
B	D040489	A																											
SCALE:	1:1	PROJECTION:																											
		SHEET 1 OF 1																											