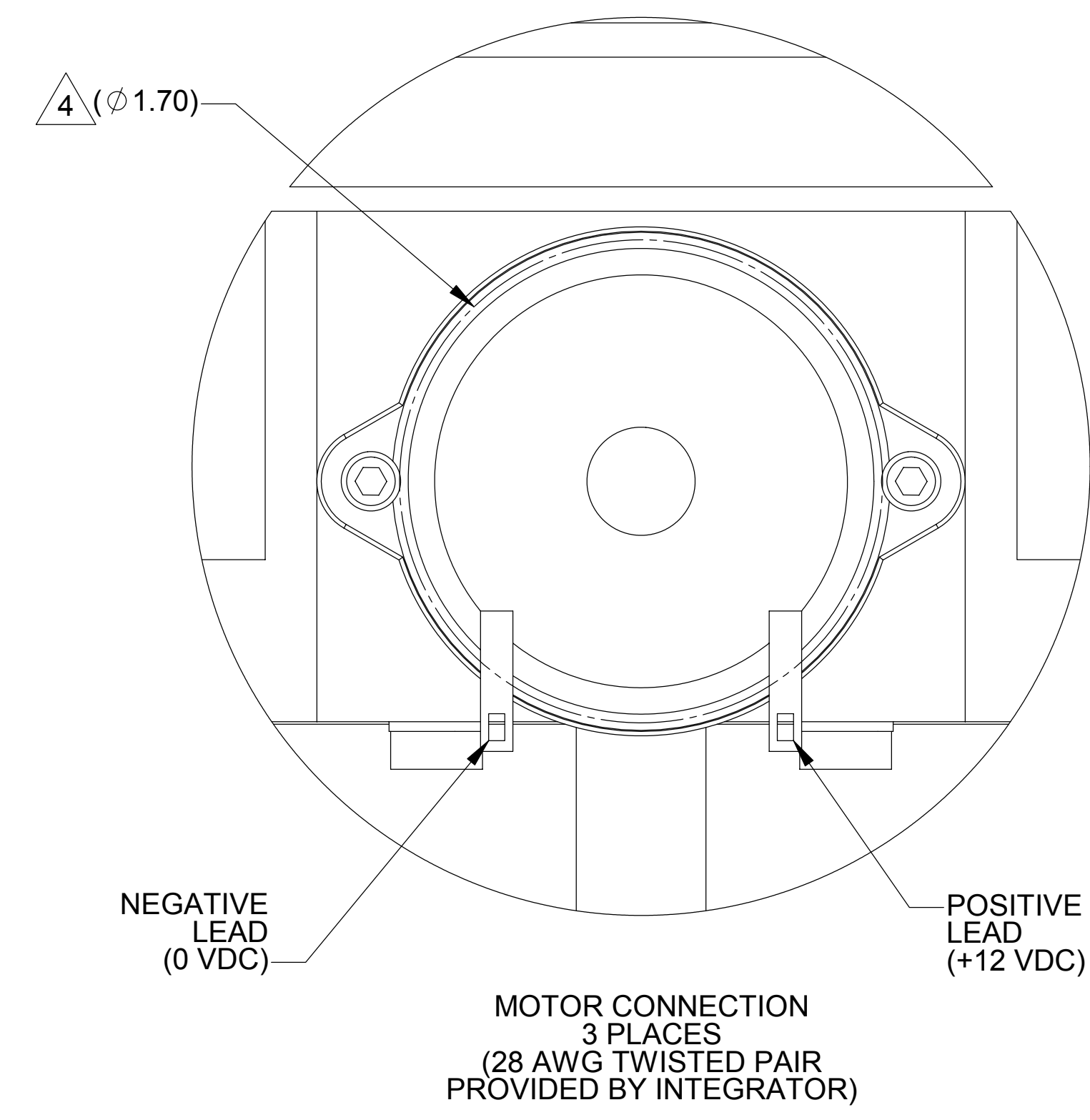
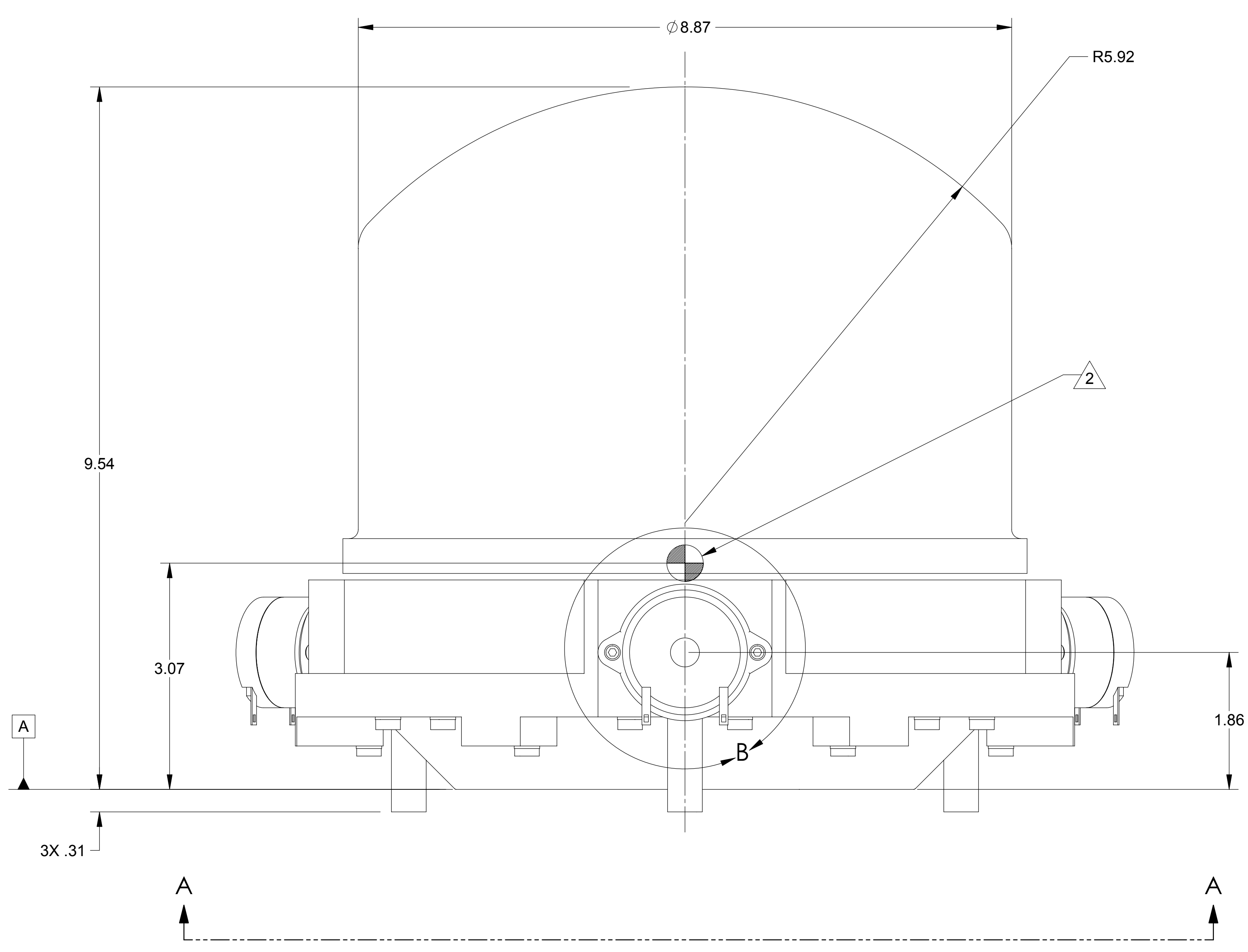
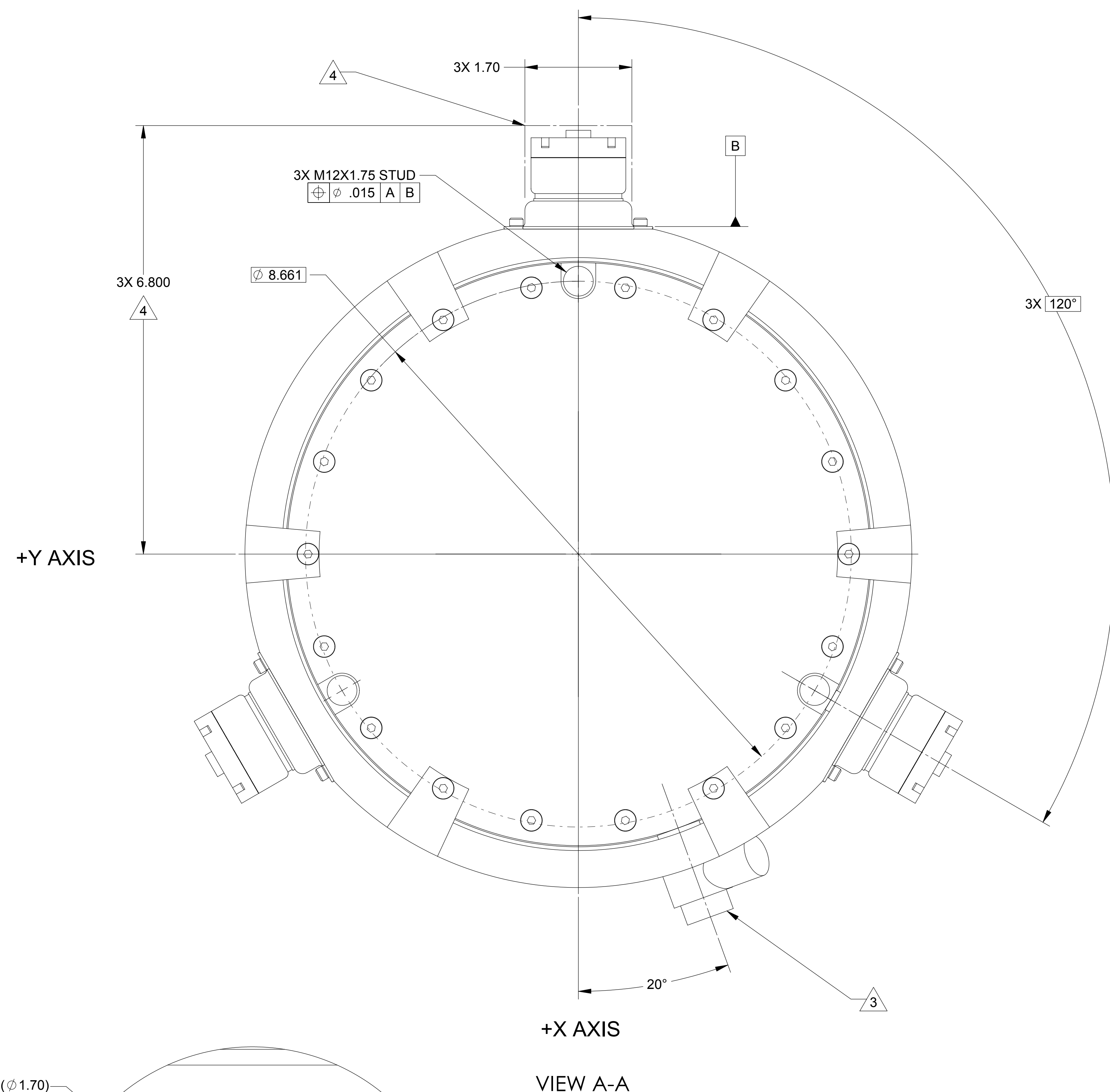
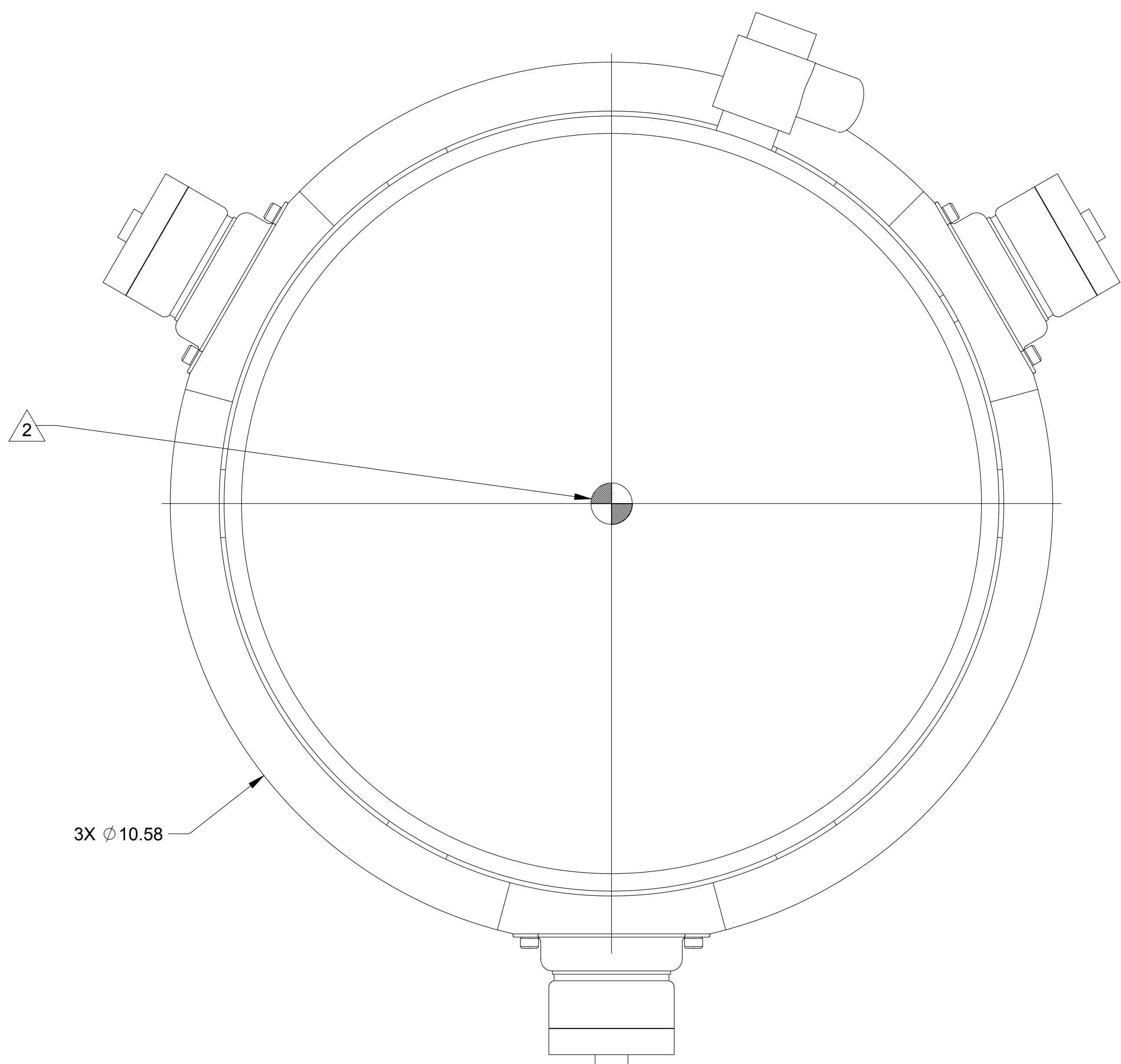


NOTES: UNLESS OTHERWISE SPECIFIED

- 1. WEIGHT: 28.1 LBS. +/-5%.
- 2. CG LOCATION +/-10%.
- 3. CONNECTOR SHOWN FOR REFERENCE ONLY AND IS NOT INCLUDED IN WEIGHT OR CG CALCULATIONS.
- 4. MOTOR ENVELOPE NOT TO EXCEED VOLUME.
- 5. ALL DIMENSIONS ARE MAXIMUMS, NOT TO EXCEED.

LTR		ZONE		REVISIONS										DWN	CHK	ENGR	STRESS	MATL	THRM	ME	PROJ	QA	RELEASE DATE	
A				INITIAL RELEASE																				



DETAIL B SCALE 2 : 1

INTERFACE CONTROL DRAWING

QTY	REGD	ITEM NO	REF DES	CAGE NO	PART OR IDENTIFYING NO	NOMENCLATURE OR DESCRIPTION	SPECIFICATION	MATERIAL OR NOTE	ZONE
CONTRACT NO						PARTS LIST			
UNLESS OTHERWISE SPECIFIED DIMENSIONS ARE IN INCHES						<p><b>RELEASED 8/1/2004</b></p> <p>ALL INFORMATION CONTAINED HEREIN IS UNCLASSIFIED</p> <p>DATE 8/1/2004 BY [redacted]</p>			
TOLERANCES						<p>DWN KEVIN J SPINK 05/26/04</p> <p>ENGR STRS</p> <p>CHK MATL</p> <p>THRM PROJ</p> <p>ME QA</p>			
DECIMALS .XX ±.03						SIZE E			
ANGLES ±12°						CAGE CODE 1KNU9			
MACHINE FINISH						SCALE 1:1			
DO NOT SCALE DRAWING INTERPRET DWG PER ASME Y14.5M						UNCLASSIFIED SHEET 1 OF 1			
MATERIAL						<p>ALLIANCE SPACESYSTEMS, INC.</p> <p>1250 Lincoln Ave., Suite 100</p> <p>Pasadena, CA 91103</p> <p>ICD STS-2 SEISMOMETER LIGO-D047782-A</p> <p>REV A</p>			
NEXT ASSEMBLY PROJECT CODE 1388						<p>FILE ATTACHMENTS</p>			
APPLICATION						<p>THIS DOCUMENT MAY CONTAIN ITAR CONTROLLED INFORMATION AND/OR COMMERCE CONTROLLED INFORMATION EXPORT RESTRICTIONS MAY APPLY</p>			