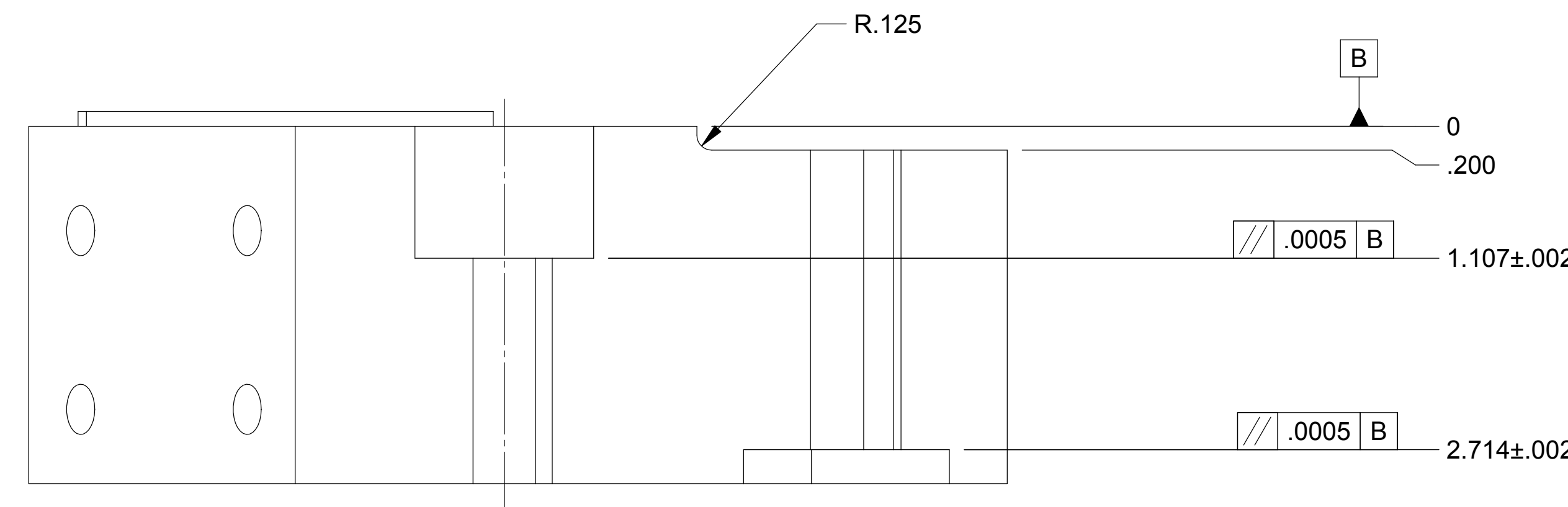
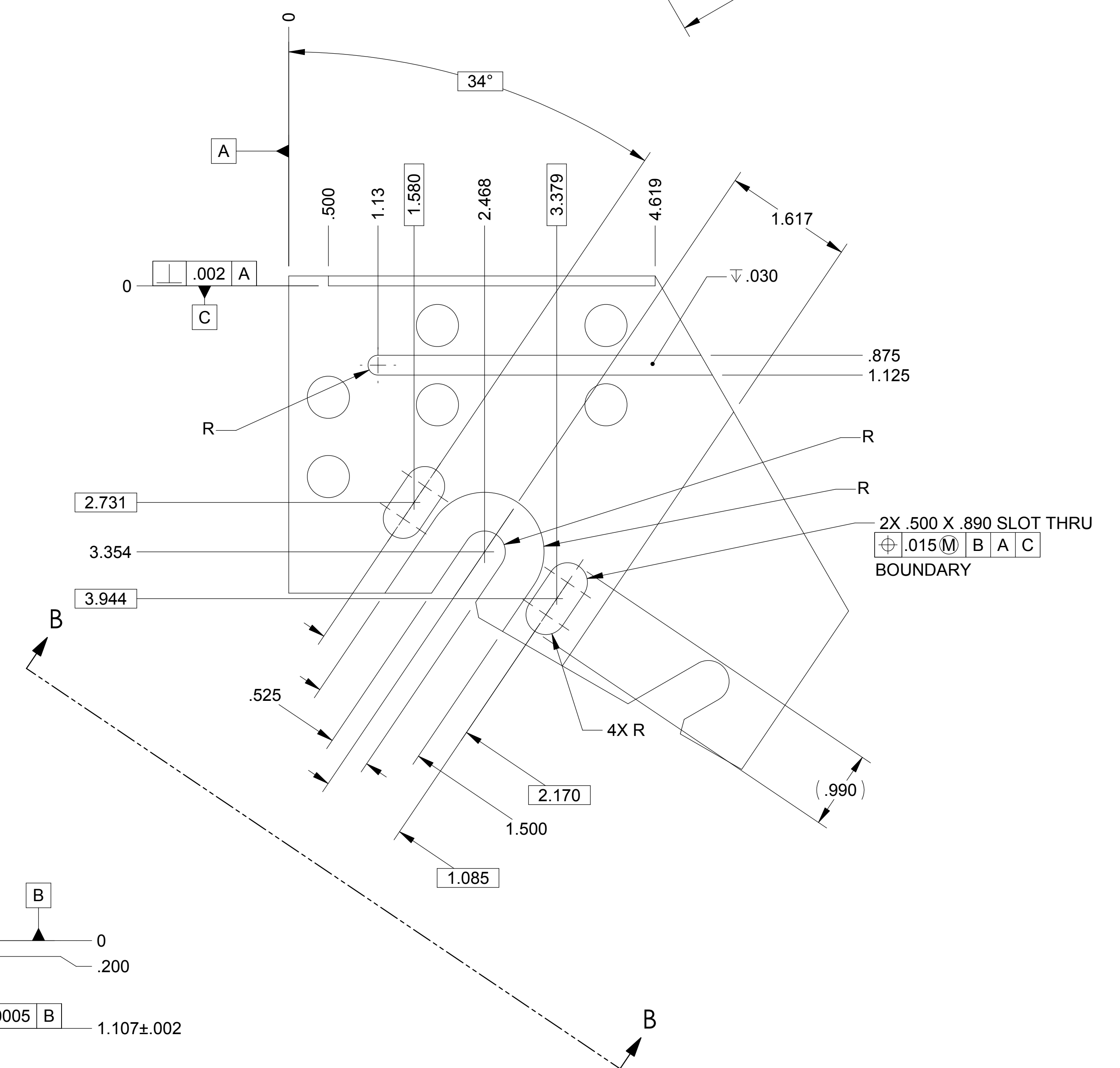
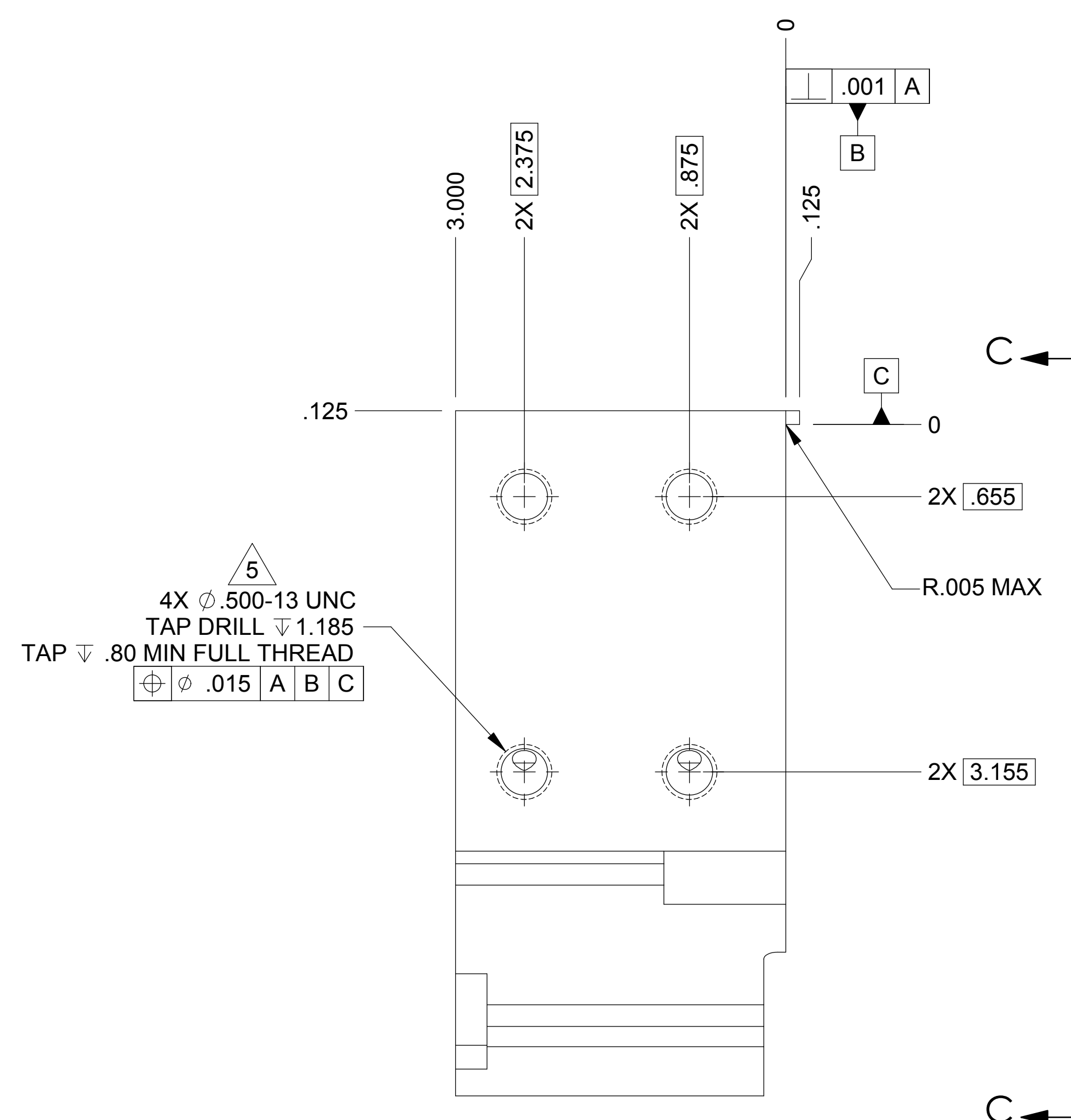
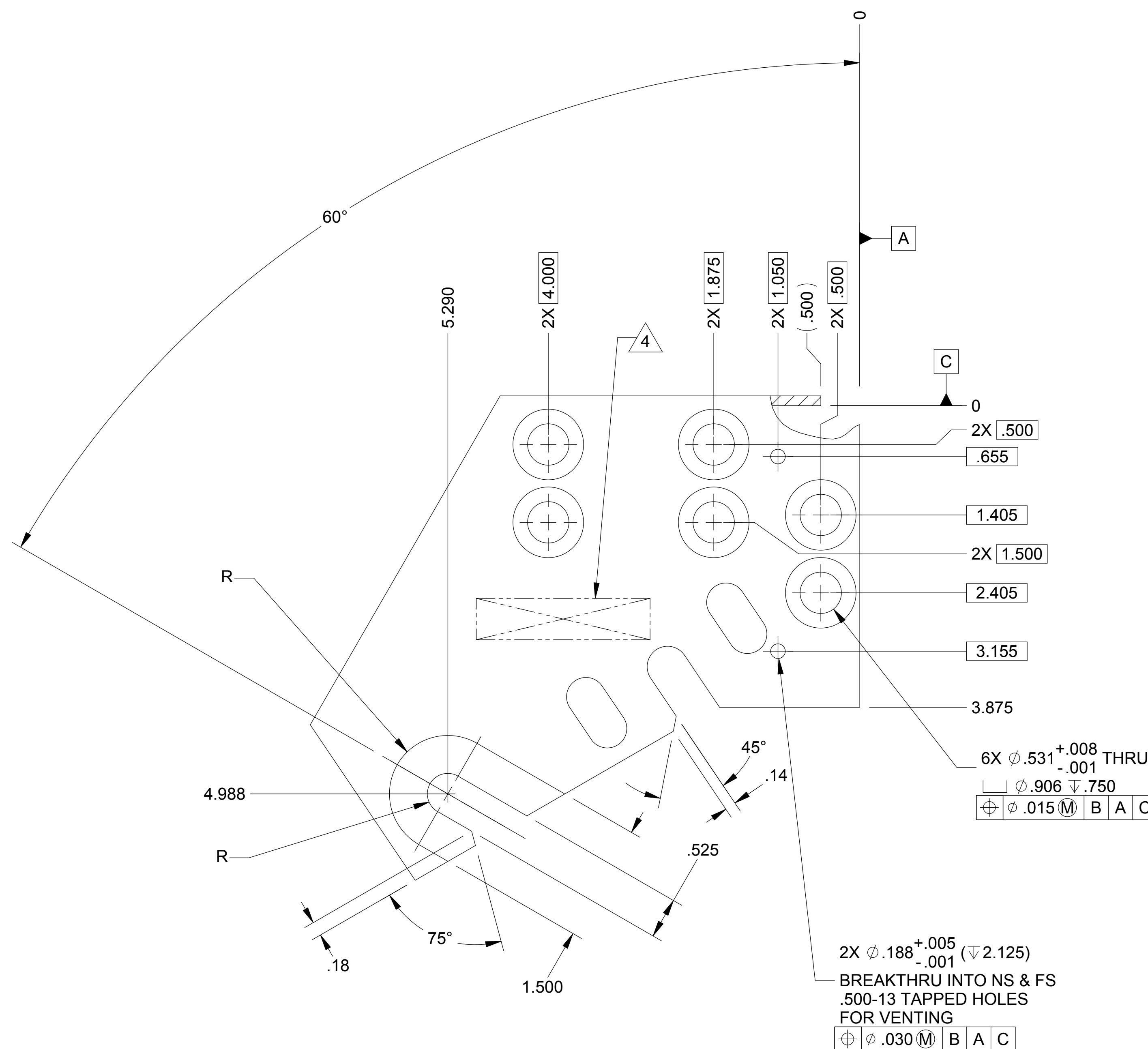
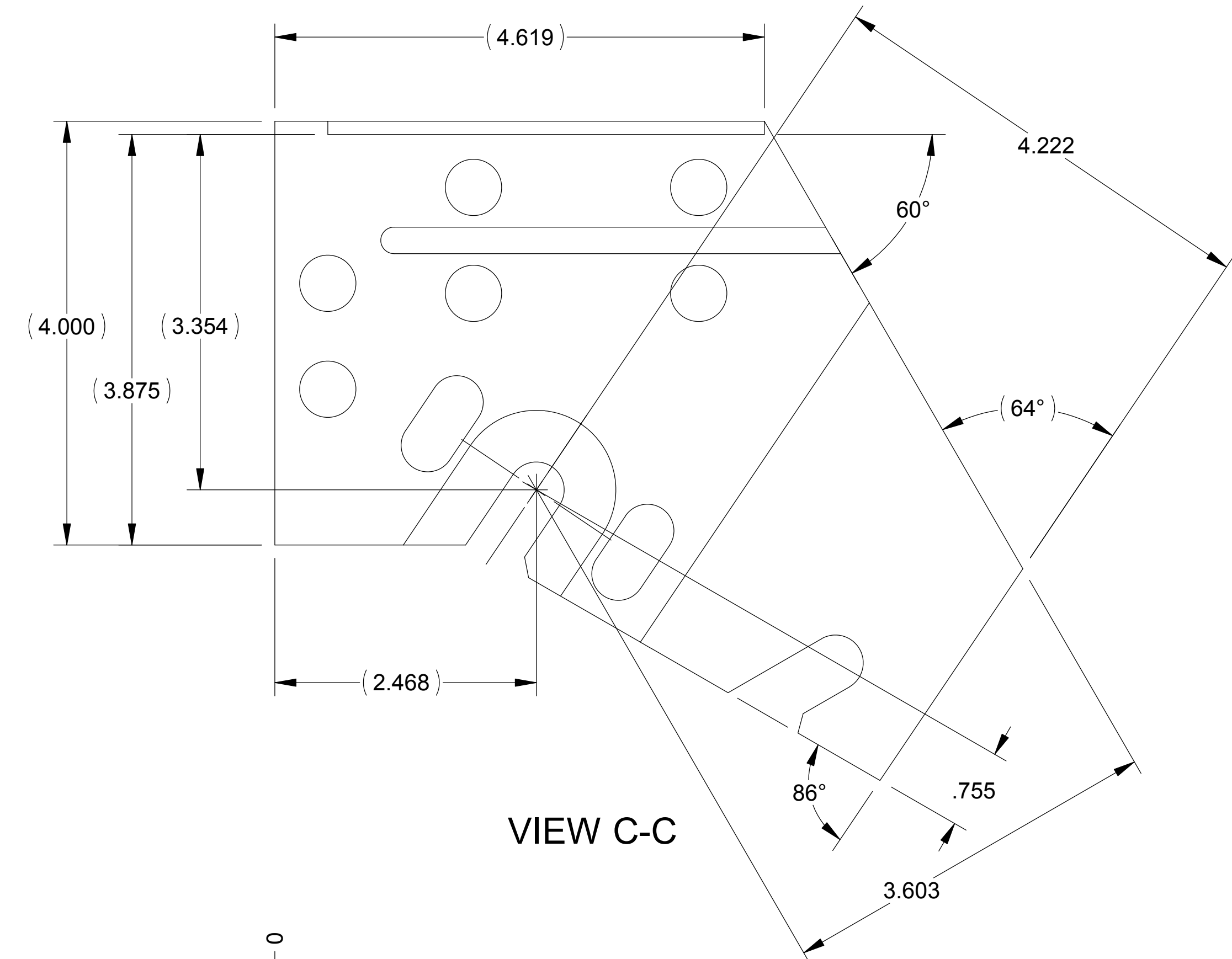
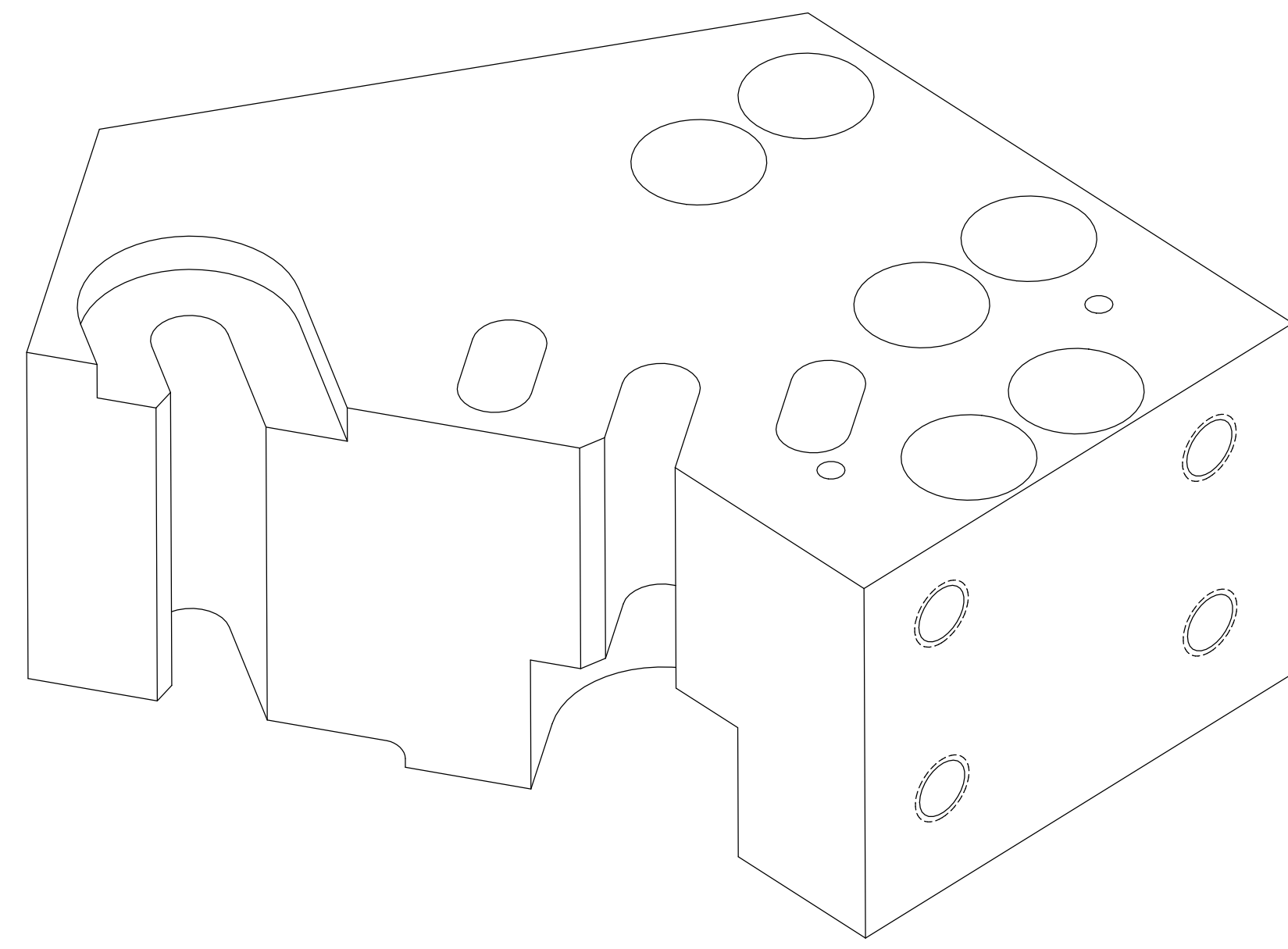
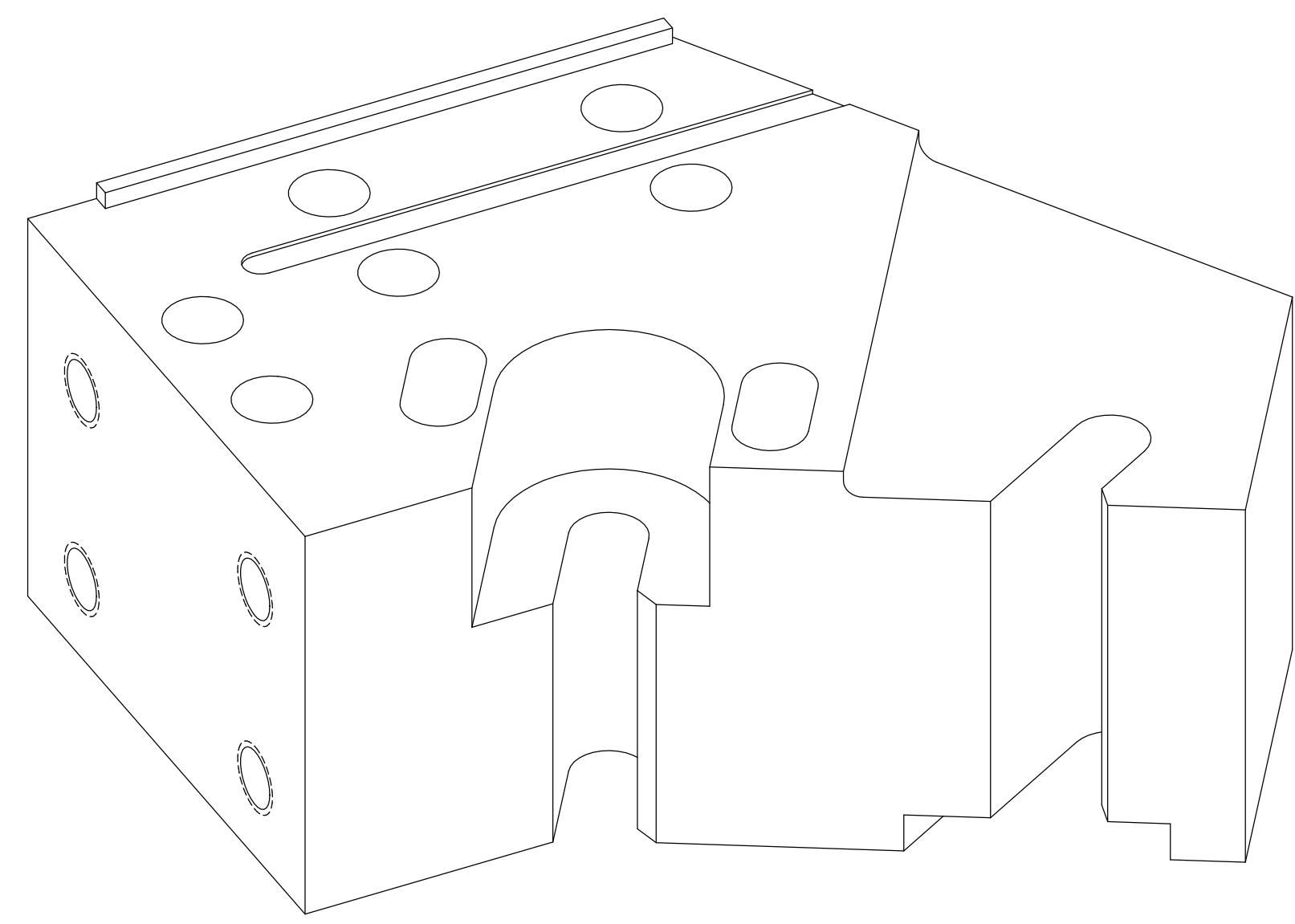


LTR	ZONE	DESCRIPTION	REVISIONS				DWN	CHK	P-ENG	CONF	ME	STRS	MATL	PROJ	QA	RELEASE DATE
A		INITIAL RELEASE														



VIEW B-B
ROTATED CCW 34°

NOTES: UNLESS OTHERWISE SPECIFIED.

- ALL PARTS SHALL BE MANUFACTURED IN ACCORDANCE WITH ASI SPECIFICATION 20008225 (LIGO E048225).
- REMOVE ALL BURRS AND SHARP EDGES .005-.015.
- MACHINE FILLET RADIUS .003-.015.
- MARK PART AND SERIAL NUMBER IN LOCATION APPROXIMATELY AS SHOWN USING 0.13-INCH HIGH CHARACTERS IN ACCORDANCE WITH 20006686, TYPE I, CLASSES 4, 5, OR 6. SERIAL NUMBERS START AT 001 FOR FIRST PART AND PROCEED CONSECUTIVELY. PARTS TOO SMALL TO MARK SHALL BE IDENTIFIED IN ACCORDANCE WITH 20006686, TYPE II.
- THREADED HOLES SHALL BE PRODUCED TO A .004-.006 OVERSIZE CONDITION ON THE PITCH DIAMETER BASED ON A 2B CONDITION. THIS DOES NOT APPLY TO THREADED INSERT HOLES.
- COUNTERSINK 82° ALL TAPPED HOLES TO MAJOR DIAMETER +.015/- .000.
- COUNTERSINK 82° ALL DRILLED HOLES .015-.030 DEEP BOTH SIDES.
- RECORD WEIGHT TO NEAREST 0.1 LB ON INSPECTION REPORT AFTER FINAL MACHINING. ESTIMATED WEIGHT IS 20.8 LBS.

THIS DOCUMENT MAY CONTAIN ITAR CONTROLLED INFORMATION AND/OR COMMERCE CONTROLLED INFORMATION EXPORT RESTRICTIONS MAY APPLY

20007901-1																	
QTY	REGD	ITEM NO	REF DES	CAGE NO	PART OR IDENTIFYING NO	NOMENCLATURE OR DESCRIPTION	SPECIFICATION	MATERIAL OR NOTE	ZONE	PARTS LIST							
CONTRACT NO										UNLESS OTHERWISE SPECIFIED DIMENSIONS ARE IN INCHES				<div style="text-align: center;"> <p>RELEASED 2/24/2005</p> <p>20007901-1</p> </div>			
NEXT ASSEMBLY										TOLERANCES DECIMALS ANGLES .XX ± .03 .XXX ± .010 ± 1/2°				ALLIANCE SPACESYSTEMS, INC. 1250 Lincoln Ave., Suite 100 Pasadena, CA 91103			
APPLICATION										MATERIAL FINISH				DWN KEVIN J SPINK 07/12/04 PROJ ENGR STRS CHK MATL CONFIG PROJ ME QA			
20007825 1388										MATERIAL				FLEXURE ROD BRACKET STAGE 1 LIGO-D047901-A			
20007901.x_1										303 CRES FORGING PER ASTM A 473				SIZE E CAGE CODE 1KNU9 SCALE 1:1 UNCLASSIFIED SHEET 1 OF 1			