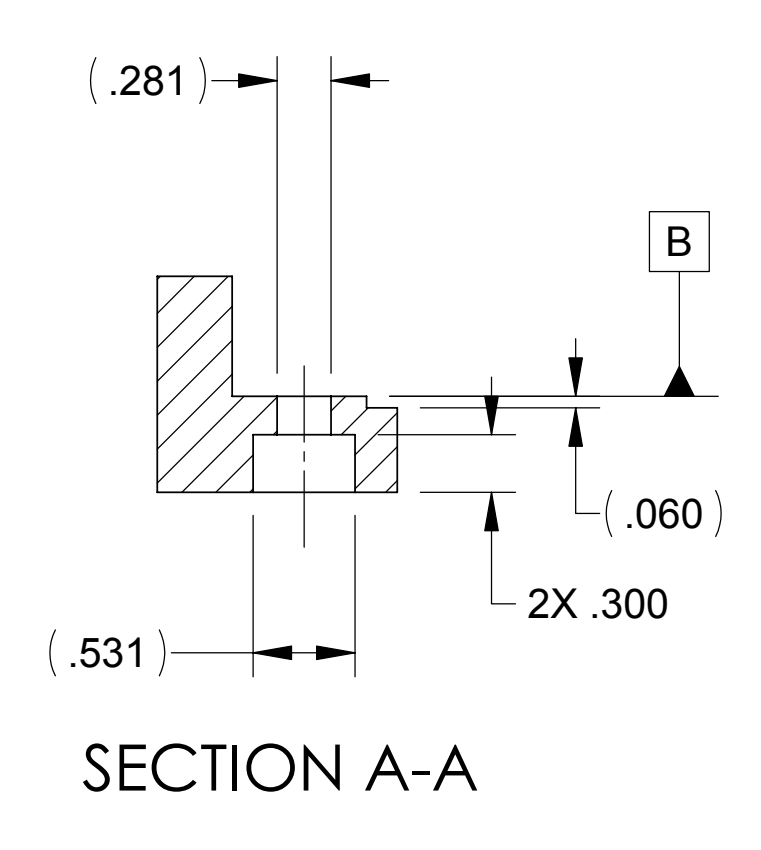
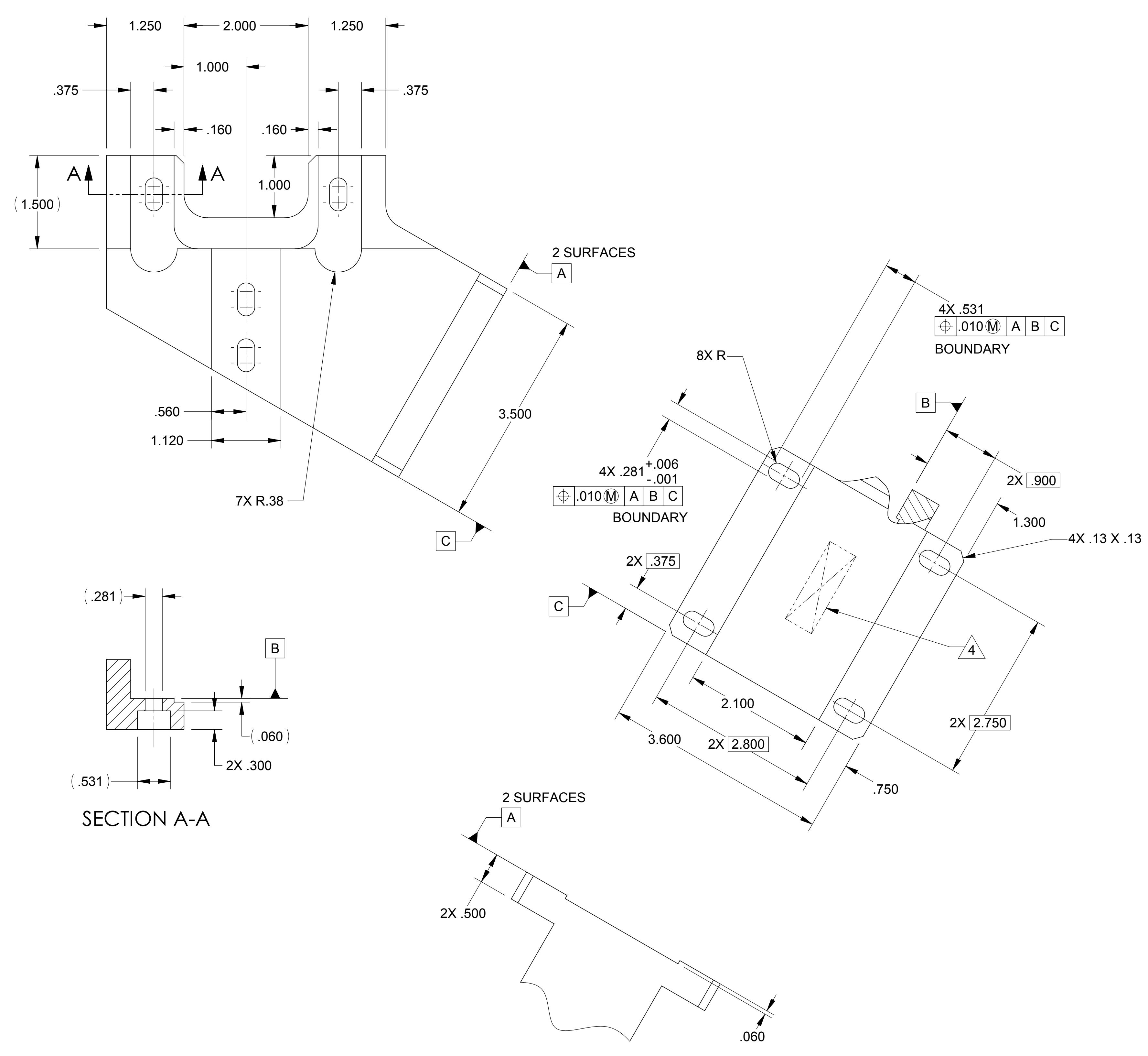
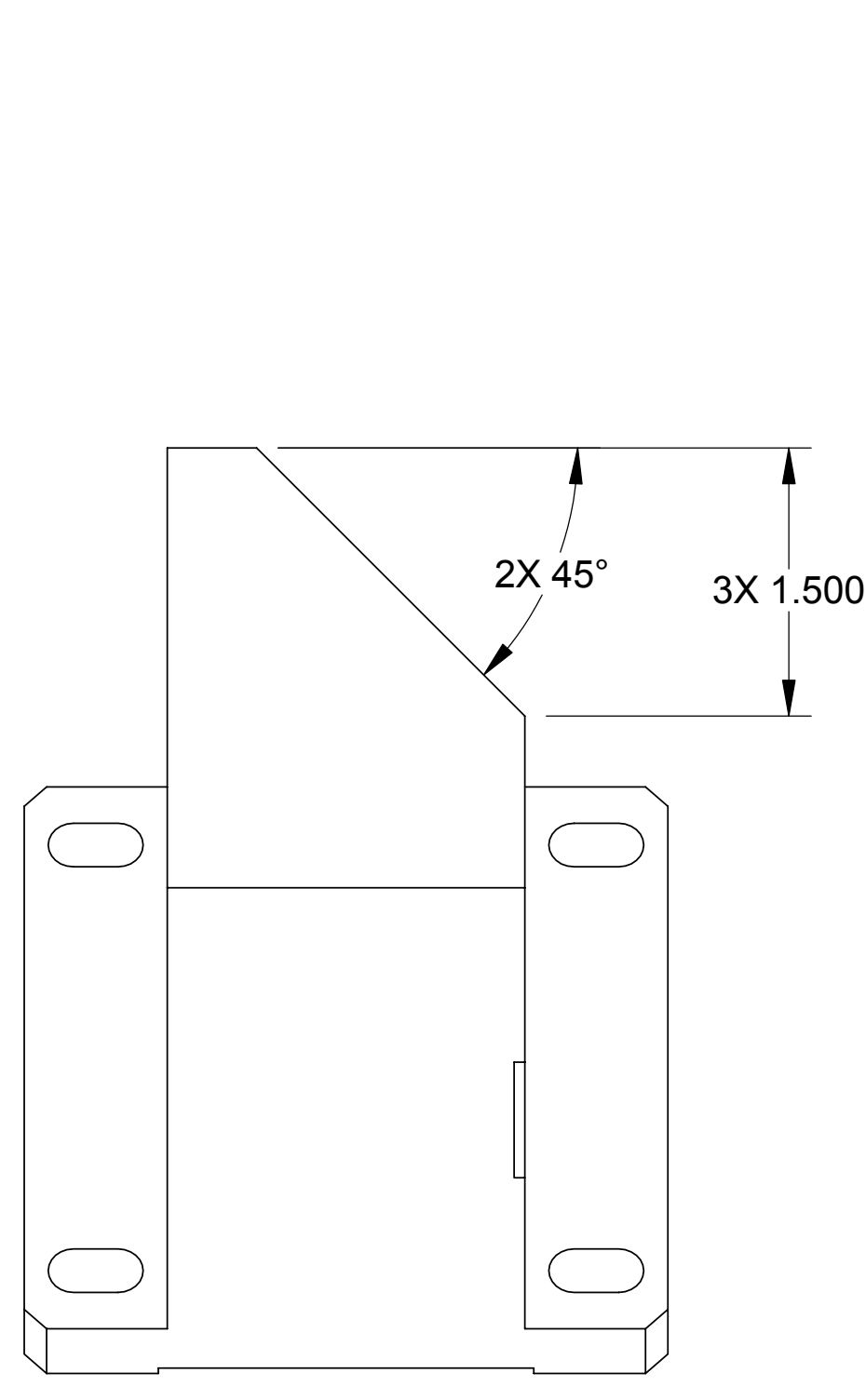
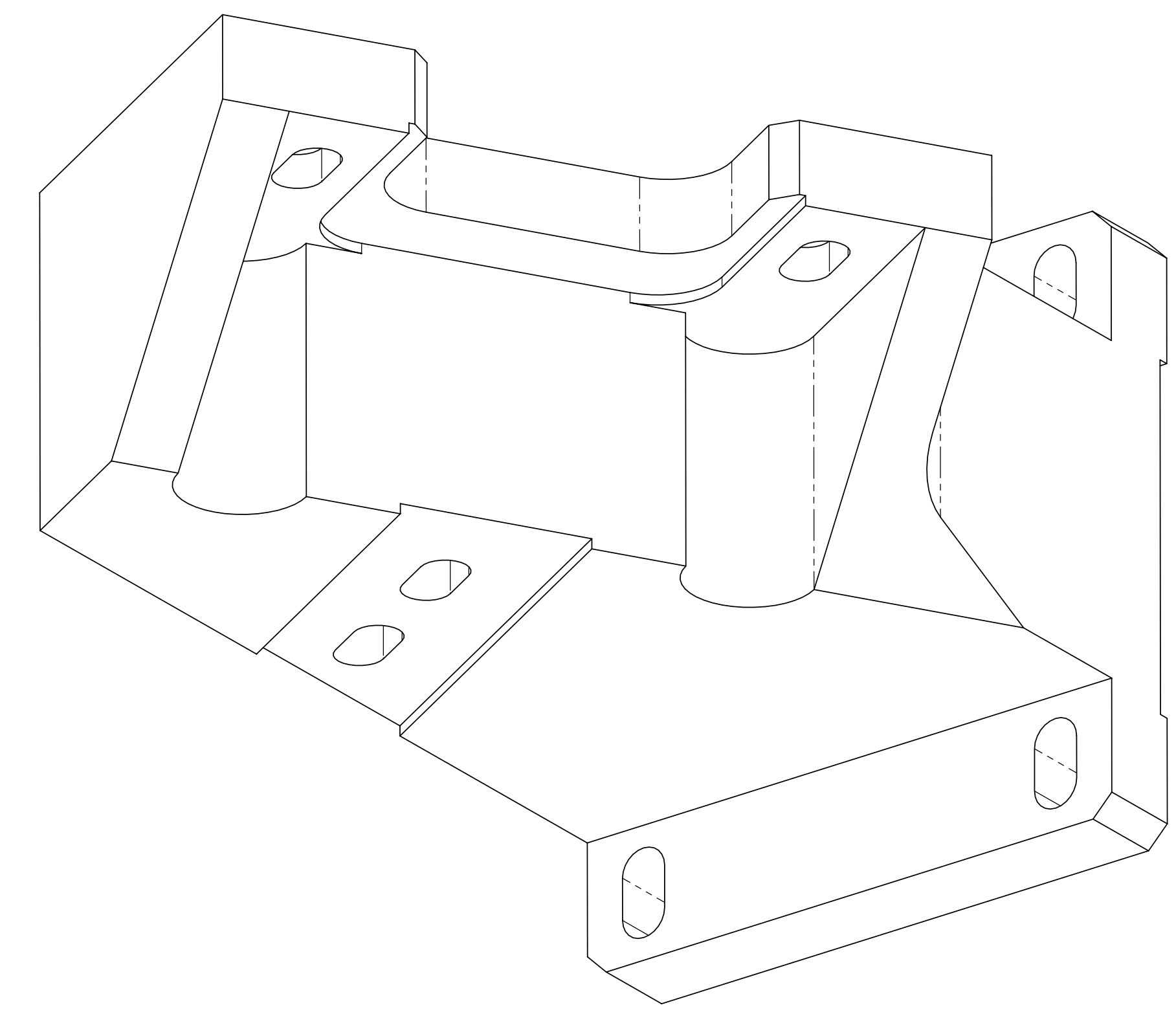
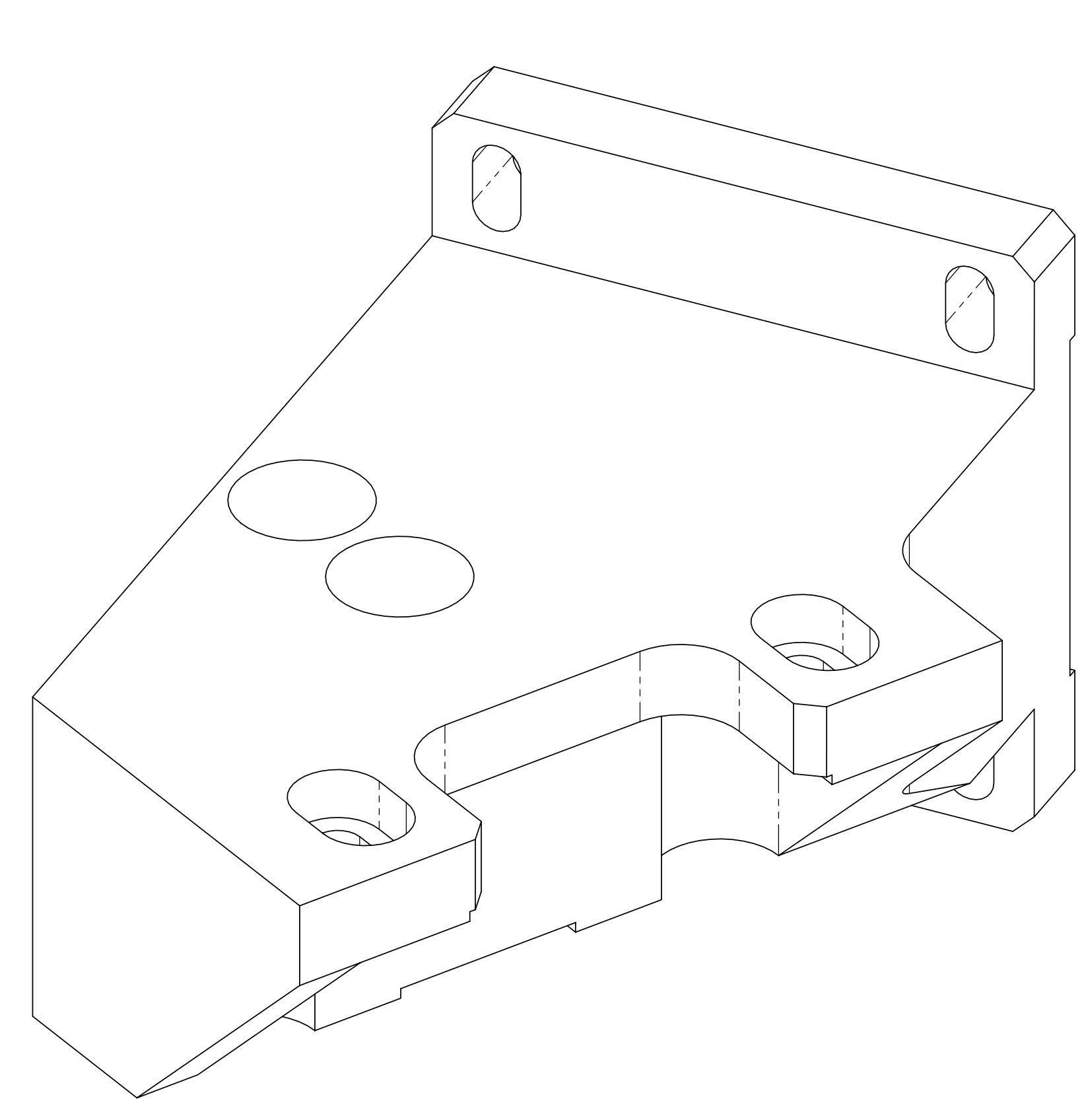
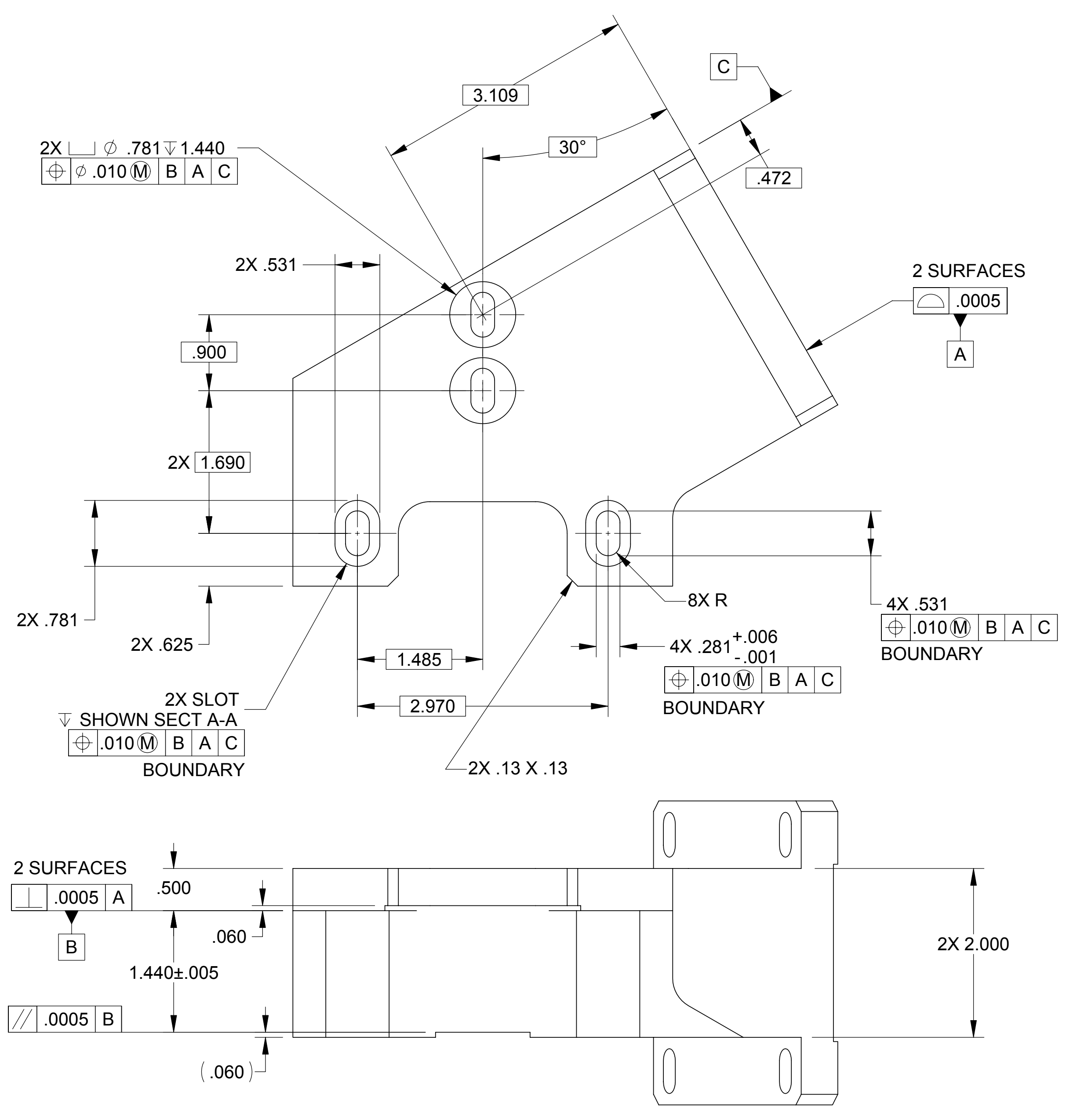


LTR		ZONE		REVISIONS										DWN		CHK		P-ENG		CONFIG		ME		STRS		MTRL		PROJ		QA		RELEASE DATE	
A				INITIAL RELEASE																													



- NOTES: UNLESS OTHERWISE SPECIFIED.
- ALL PARTS SHALL BE MANUFACTURED IN ACCORDANCE WITH ASI SPECIFICATION 20008225 (LIGO E048225).
  - REMOVE ALL BURRS AND SHARP EDGES .005-.015.
  - MACHINE FILLET RADII .003-.015.
  - MARK PART AND SERIAL NUMBER IN LOCATION APPROXIMATELY AS SHOWN USING 0.13-INCH HIGH CHARACTERS IN ACCORDANCE WITH 20006886, TYPE I, CLASSES 4, 5, OR 6. SERIAL NUMBERS START AT 001 FOR FIRST PART AND PROCEED CONSECUTIVELY. PARTS TOO SMALL TO MARK SHALL BE IDENTIFIED IN ACCORDANCE WITH 20006886, TYPE II.
  - COUNTERSINK 82° ALL DRILLED HOLES .015-.030 DEEP BOTH SIDES.
  - RECORD WEIGHT TO NEAREST 0.1 LB ON INSPECTION REPORT AFTER FINAL MACHINING. ESTIMATED WEIGHT IS 3.1 LBS.

THIS DOCUMENT MAY CONTAIN ITAR CONTROLLED INFORMATION AND/OR COMMERCE CONTROLLED INFORMATION EXPORT RESTRICTIONS MAY APPLY

20007919-1		PART OR IDENTIFYING NO		NOMENCLATURE OR DESCRIPTION		SPECIFICATION		MATERIAL OR NOTE		ZONE	
QTY	REGD	ITEM NO	REF DES	CAGE NO	PART OR IDENTIFYING NO	NOMENCLATURE OR DESCRIPTION	SPECIFICATION	MATERIAL OR NOTE	ZONE		
CONTRACT NO		UNLESS OTHERWISE SPECIFIED DIMENSIONS ARE IN INCHES TOLERANCES DECIMALS ANGLES .XX ±.03 .XXX ±.010 ±12° MACHINE FINISH 125/ DO NOT SCALE DRAWING INTERPRET DWG PER ASME Y14.5M - 1994		PARTS LIST		DWN R.D.BILLING 06/28/04		STRS		ALLIANCE SPACESHYSTEMS, INC. 1250 Lincoln Ave., Suite 100 Pasadena, CA 91103	
20007970		1388		AL 6061-T651 AMS-QQ-A-250/11		BRACKET, STAGE 1-2 VERT ACTUATOR COIL LIGO D047919-A		20007919		REV A	
NEXT ASSEMBLY		PROJECT CODE		APPLICATION		SCALE 1:1		UNCLASSIFIED		SHEET 1 OF 1	

FILE ATTACHMENTS  
20007919\_x\_1

RELEASED  
12/4/2005

asi ALLIANCE SPACESHYSTEMS, INC. 1250 Lincoln Ave., Suite 100 Pasadena, CA 91103

BRACKET, STAGE 1-2 VERT ACTUATOR COIL LIGO D047919-A

20007919 REV A