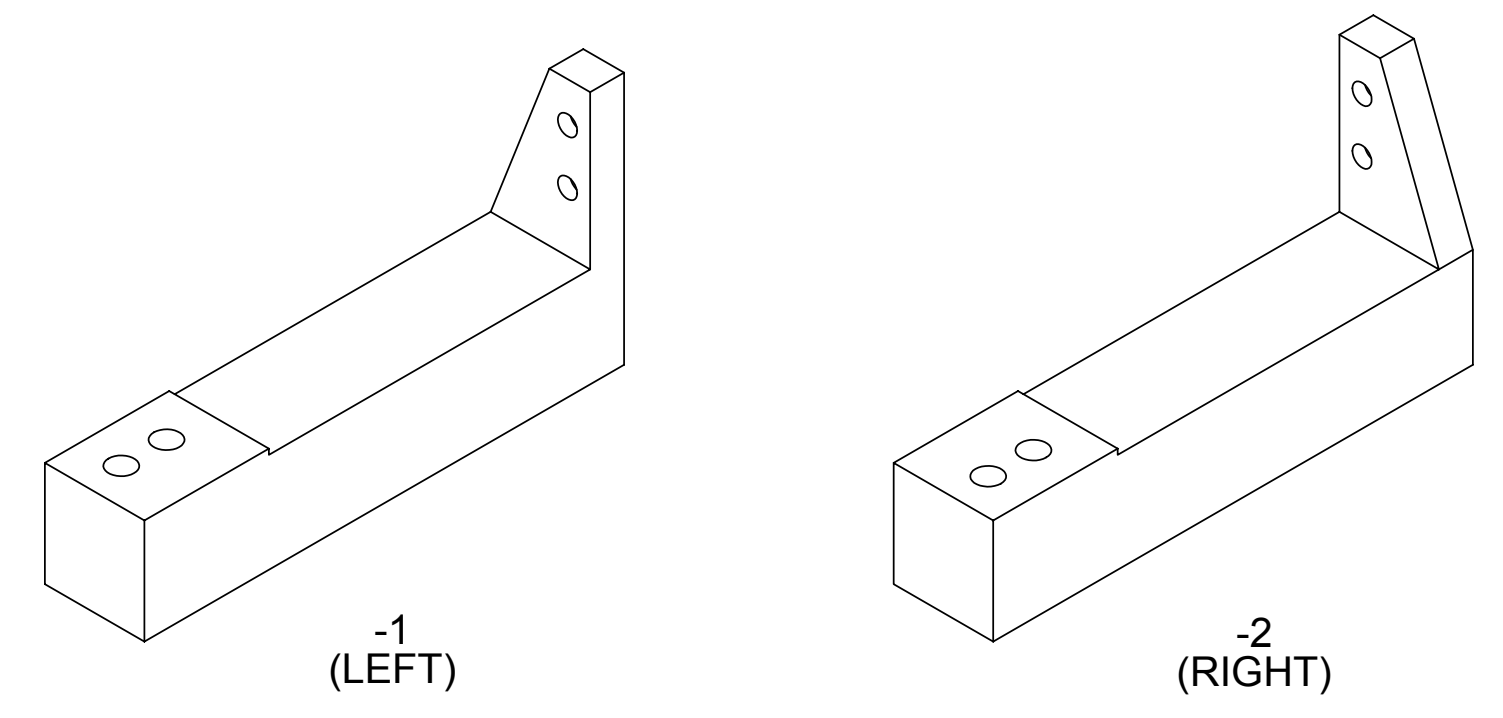
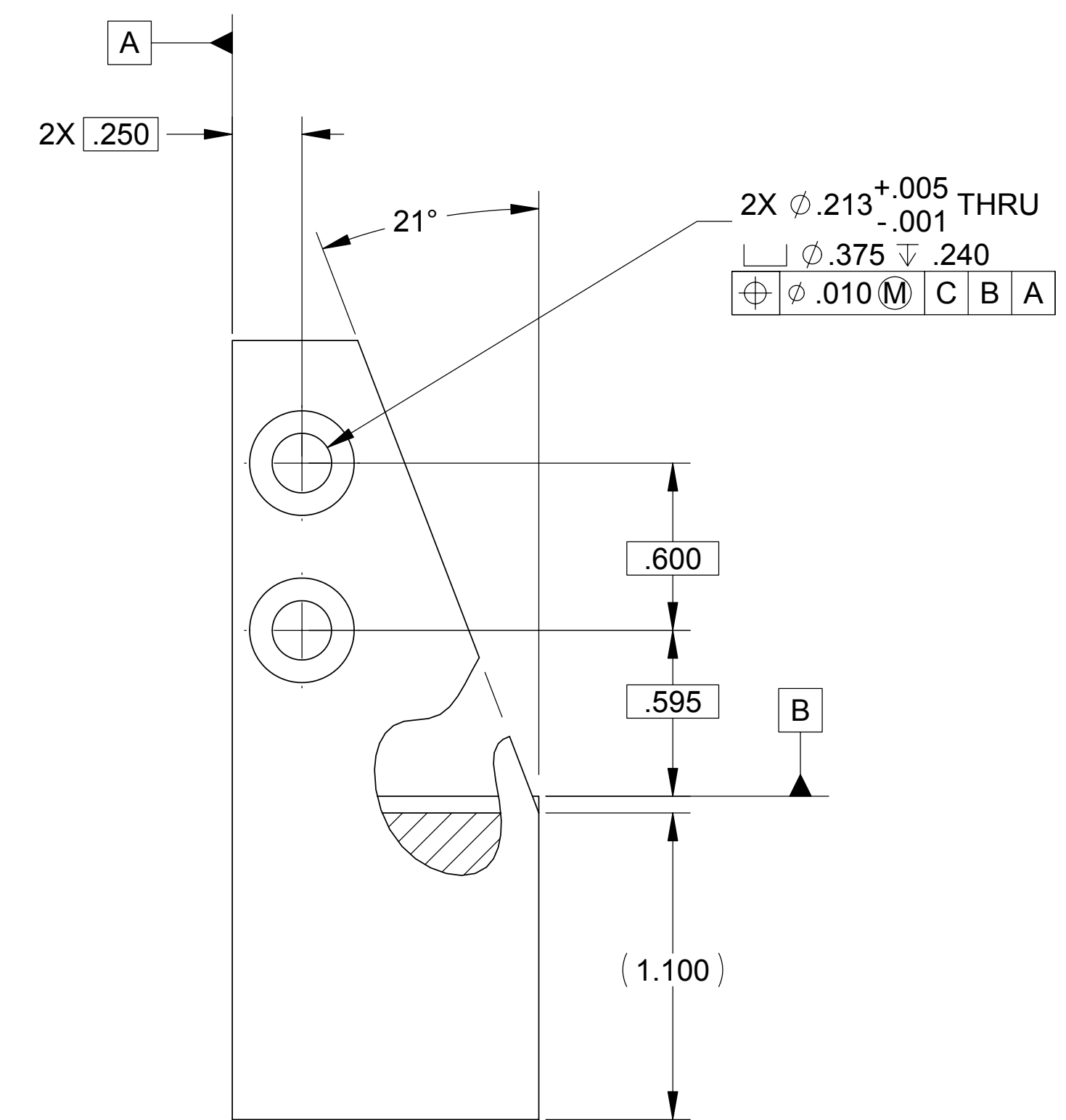
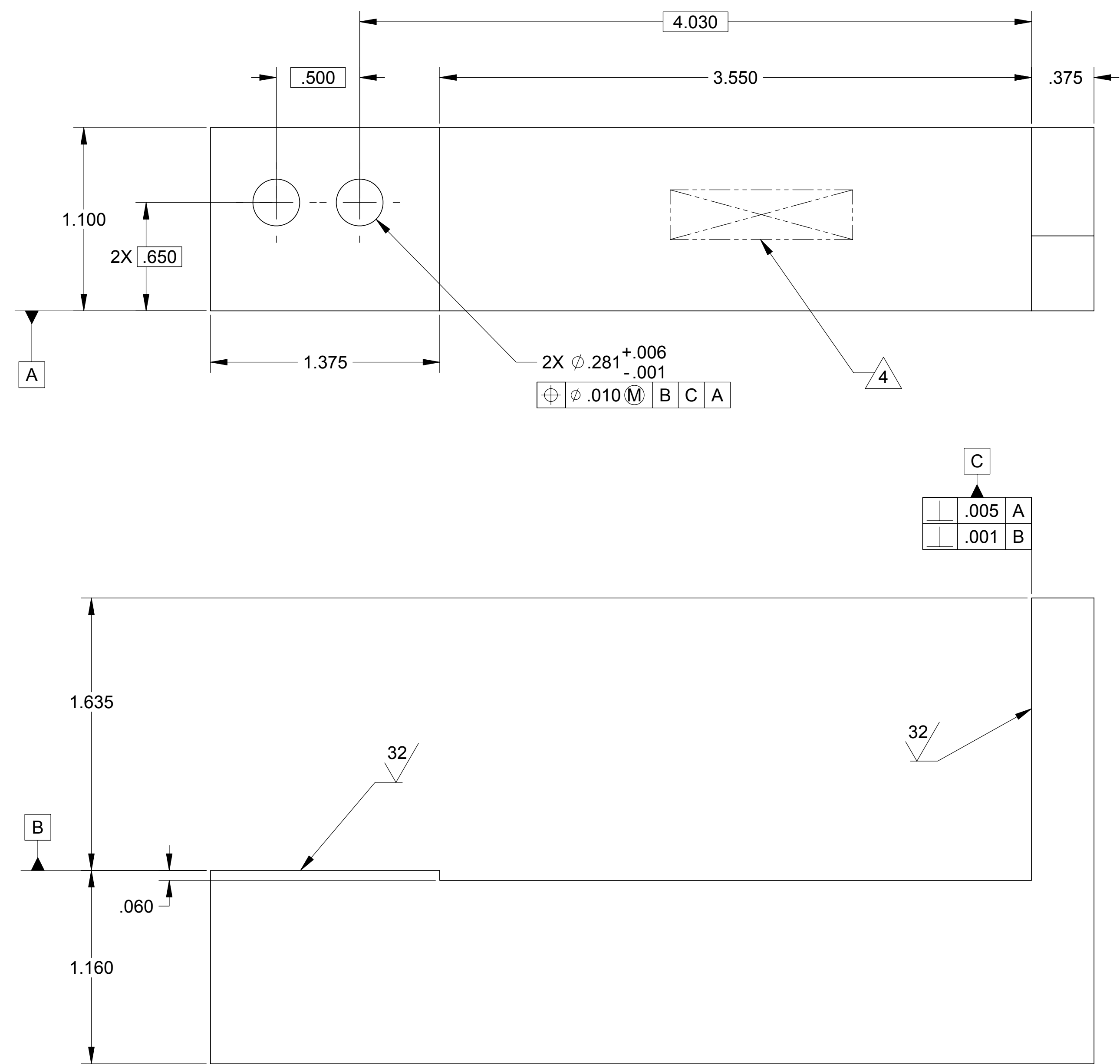


| LTR | | ZONE | DESCRIPTION | REVISIONS | | | | | | | | | | |
|-----|-----|-------|-----------------|-----------|------|------|------|----|--------------|--|--|--|--|--|
| DWN | CHK | P-ENG | CONFIG | ME | STRS | MATL | PROJ | QA | RELEASE DATE | | | | | |
| A | | | INITIAL RELEASE | | | | | | | | | | | |



-1 SHOWN
-2 MIRROR IMAGE

- NOTES: UNLESS OTHERWISE SPECIFIED.
- ALL PARTS SHALL BE MANUFACTURED IN ACCORDANCE WITH ASI SPECIFICATION 20008225 (LIGO E048225).
 - REMOVE ALL BURRS AND SHARP EDGES .005-.015.
 - MACHINE FILLET RADII .003-.015.
 - MARK PART AND SERIAL NUMBER IN LOCATION APPROXIMATELY AS SHOWN USING 0.13-INCH HIGH CHARACTERS IN ACCORDANCE WITH 20006686, TYPE I, CLASSES 4, 5, OR 6. SERIAL NUMBERS START AT 001 FOR FIRST PART AND PROCEED CONSECUTIVELY. PARTS TOO SMALL TO MARK SHALL BE IDENTIFIED IN ACCORDANCE WITH 20006686, TYPE II.
 - COUNTERSINK 82° ALL DRILLED HOLES .015-.030 DEEP BOTH SIDES.
 - RECORD WEIGHT TO NEAREST 0.1 LB ON INSPECTION REPORT AFTER FINAL MACHINING. ESTIMATED WEIGHT IS 2.2 LBS.

| QTY REQD | ITEM NO | REF DES | CAGE NO | PART OR IDENTIFYING NO | NOMENCLATURE OR DESCRIPTION | SPECIFICATION | MATERIAL OR NOTE | ZONE |
|----------|---------|---------|---------|------------------------|-----------------------------|---------------|------------------|------|
| | | | | 20007977-2 | THERMAL BAR, RIGHT | | | |
| | | | | 20007977-1 | THERMAL BAR, LEFT | | | |

| CONTRACT NO | | UNLESS OTHERWISE SPECIFIED DIMENSIONS ARE IN INCHES | | TOLERANCES | | MACHINE FINISH | | DO NOT SCALE DRAWING INTERPRET DWG PER ASME Y14.5M-1994 | | MATERIAL | |
|-------------|--|---|------------|------------|--------|----------------|---|---|--|----------|--|
| | | DECIMALS | .XX ±.03 | ANGLES | ± 1/2° | 125 | ✓ | COPPER ALLOY 10200 | | | |
| | | | .XXX ±.010 | | | | | ASTM B152 | | | |
| | | | | | | | | (OXYGEN FREE) | | | |

| FILE ATTACHMENTS | APPLICATION | SCALE | CLASSIFICATION | SHEET | REV |
|------------------|-------------|-----------|----------------|--------------|-------|
| 20007977-1.x_t | | SCALE 2:1 | UNCLASSIFIED | SHEET 1 OF 1 | REV A |

THIS DOCUMENT MAY CONTAIN ITAR CONTROLLED INFORMATION AND/OR COMMERCE CONTROLLED INFORMATION EXPORT RESTRICTIONS MAY APPLY