

LTR		ZONE		REVISIONS										
				DESCRIPTION	DWN	CHK	ENGR	STRESS	MATL	THRM	ME	PROJ	QA	RELEASE DATE
A				INITIAL RELEASE										

D

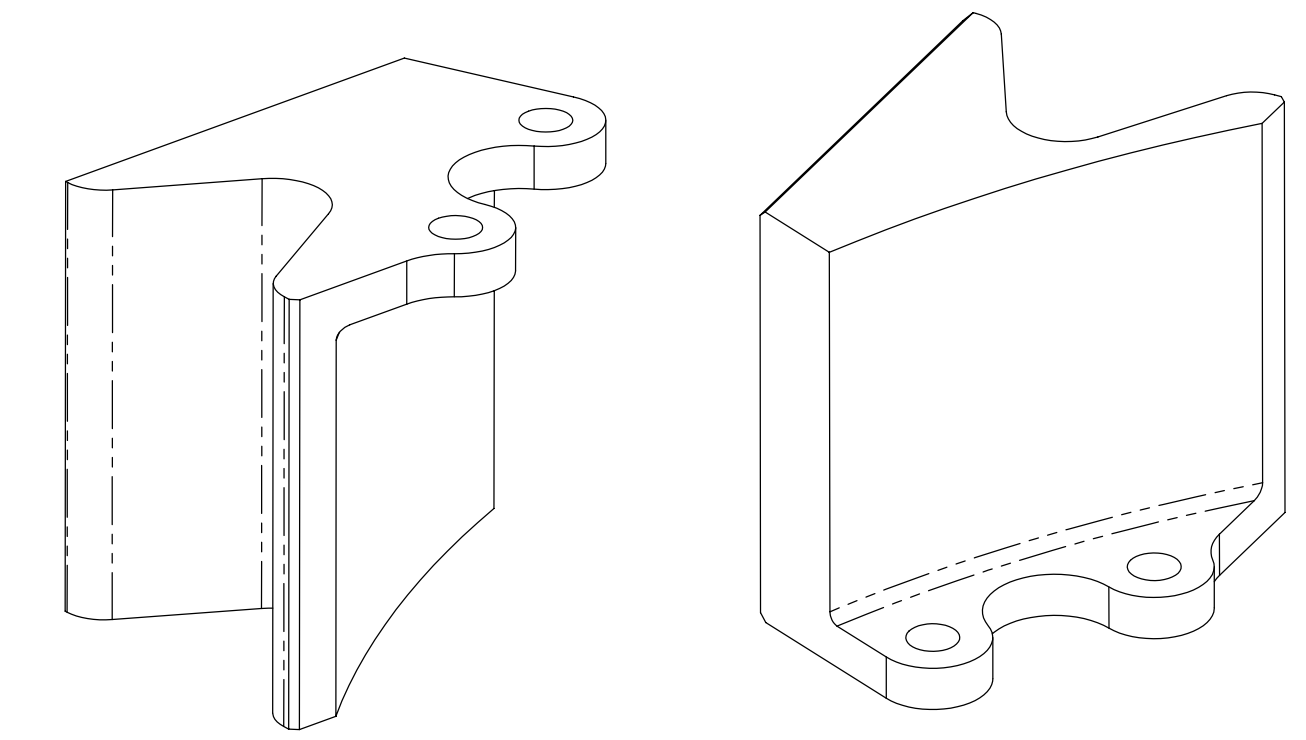
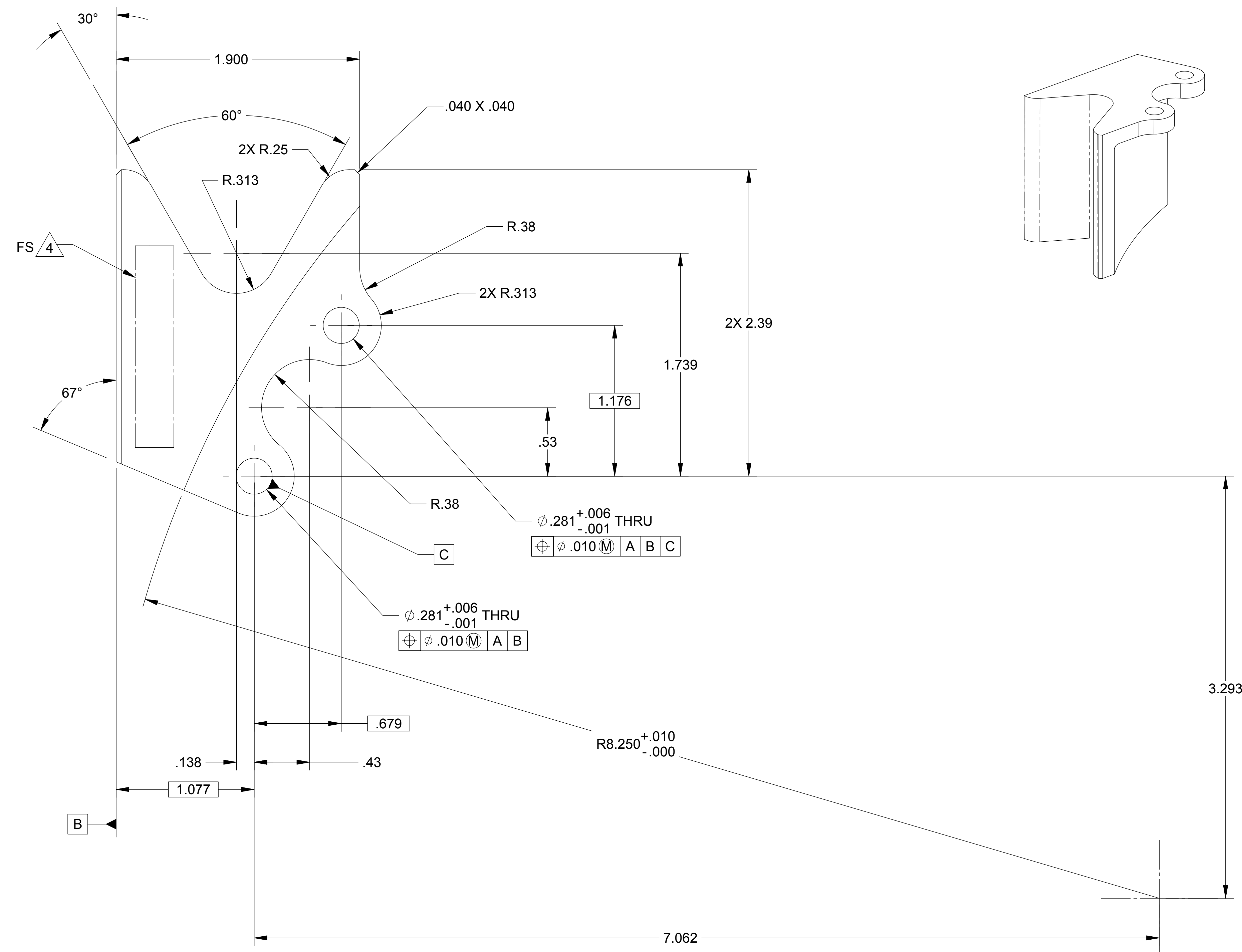
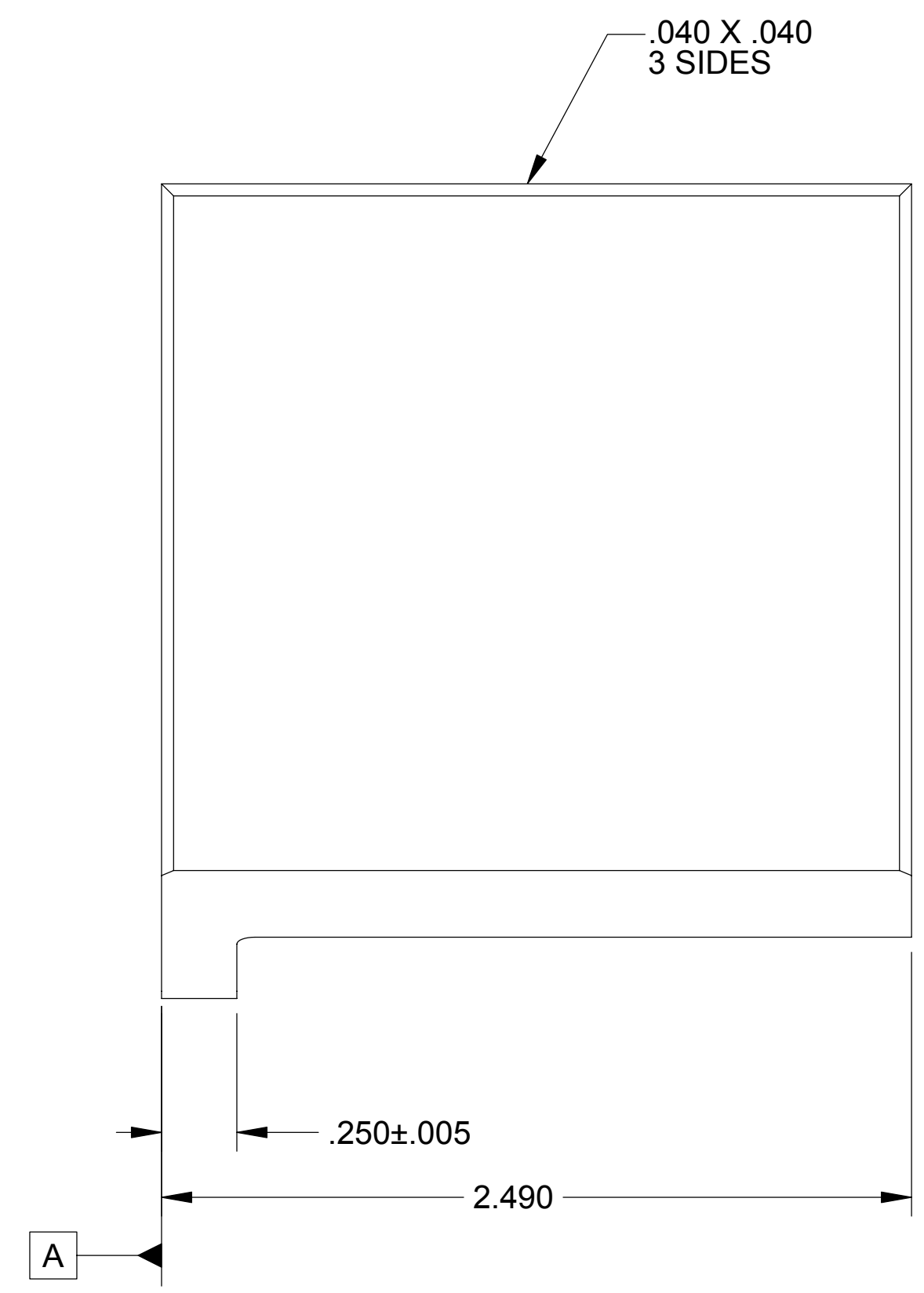
C

B

D

C

B



NOTES: UNLESS OTHERWISE SPECIFIED.

- ALL PARTS SHALL BE MANUFACTURED IN ACCORDANCE WITH ASI SPECIFICATION 20008225 (LIGO E048225).
- REMOVE ALL BURRS AND SHARP EDGES .005-.015.
- MACHINE FILLET RADIUS .060.
- MARK PART AND SERIAL NUMBER IN LOCATION APPROXIMATELY AS SHOWN USING 0.13-INCH HIGH CHARACTERS IN ACCORDANCE WITH 20006686, TYPE I, CLASSES 4, 5, OR 6. SERIAL NUMBERS START AT 001 FOR FIRST PART AND PROCEED CONSECUTIVELY. PARTS TOO SMALL TO MARK SHALL BE IDENTIFIED IN ACCORDANCE WITH 20006686, TYPE II.
- COUNTERSINK 82° ALL DRILLED HOLES .015-.030 DEEP BOTH SIDES.
- RECORD WEIGHT TO NEAREST 0.1 LB ON INSPECTION REPORT AFTER FINAL MACHINING. ESTIMATED WEIGHT IS .5 LBS.

A

THIS DOCUMENT MAY CONTAIN ITAR CONTROLLED INFORMATION AND/OR COMMERCE CONTROLLED INFORMATION EXPORT RESTRICTIONS MAY APPLY

FILE ATTACHMENTS  
20007983.x\_t

20007983-1

QTY REQD	ITEM NO	REF DES	CAGE NO	PART OR IDENTIFYING NO	NOMENCLATURE OR DESCRIPTION	SPECIFICATION	MATERIAL OR NOTE	ZONE
					PARTS LIST			
CONTRACT NO		UNLESS OTHERWISE SPECIFIED		DIMENSIONS ARE IN INCHES		TOLERANCES		
				DECIMALS		ANGLES		
				.XX ±.03		.XXX ±.010		± 1/2°
				MACHINE FINISH		125		
				DO NOT SCALE DRAWING		INTERPRET DWG PER ASME Y14.5M-1994		
				MATERIAL				
				AL 6061-T651		AMS-QQ-A-250/11		
20007790		1388						
NEXT ASSEMBLY		PROJECT CODE						
APPLICATION								
						<p>UNLESS OTHERWISE SPECIFIED</p> <p>THIS DRAWING IS THE PROPERTY OF ASI AND NOT BE LOANED, REPRODUCED, COPIED, OR IN ANY MANNER DISSEMINATED WITHOUT THE WRITTEN PERMISSION OF ASI. CONTROL UNLESS A RED RELEASED STAMP APPEARS HERE.</p> <p>20007983-1</p> <p>2/4/2005</p> <p>RELEASED</p>		
				DWN KEVIN J SPINK		09/13/04		
				PROJ ENGR		STRS		
				CHK		MATL		
				CONFIG		PROJ		
				ME		QA		
				SIZE		CAGE CODE		REV
				D		1KNU9		20007983 A
				SCALE 2:1		UNCLASSIFIED		SHEET 1 OF 1

asi ALLIANCE SPACESYSTEMS, INC.  
1250 Lincoln Ave., Suite 100  
Pasadena, CA 91103

CONCAVE, LOCATOR REAR  
STS-2 SEISMOMETER  
LIGO D-047983-A

SCALE 2:1 UNCLASSIFIED SHEET 1 OF 1

8

7

6

5

4

3

2

1

REV 7/04