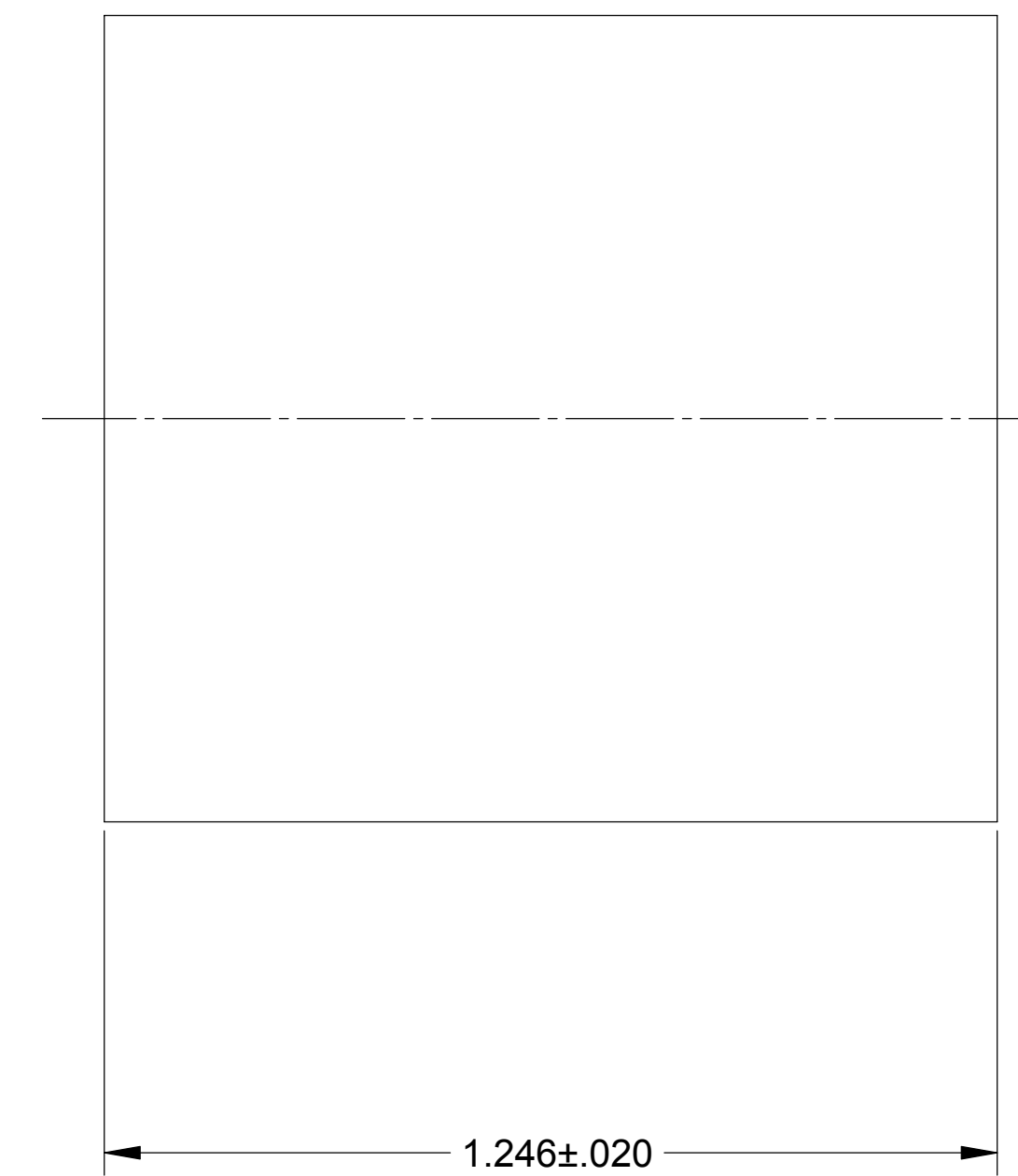
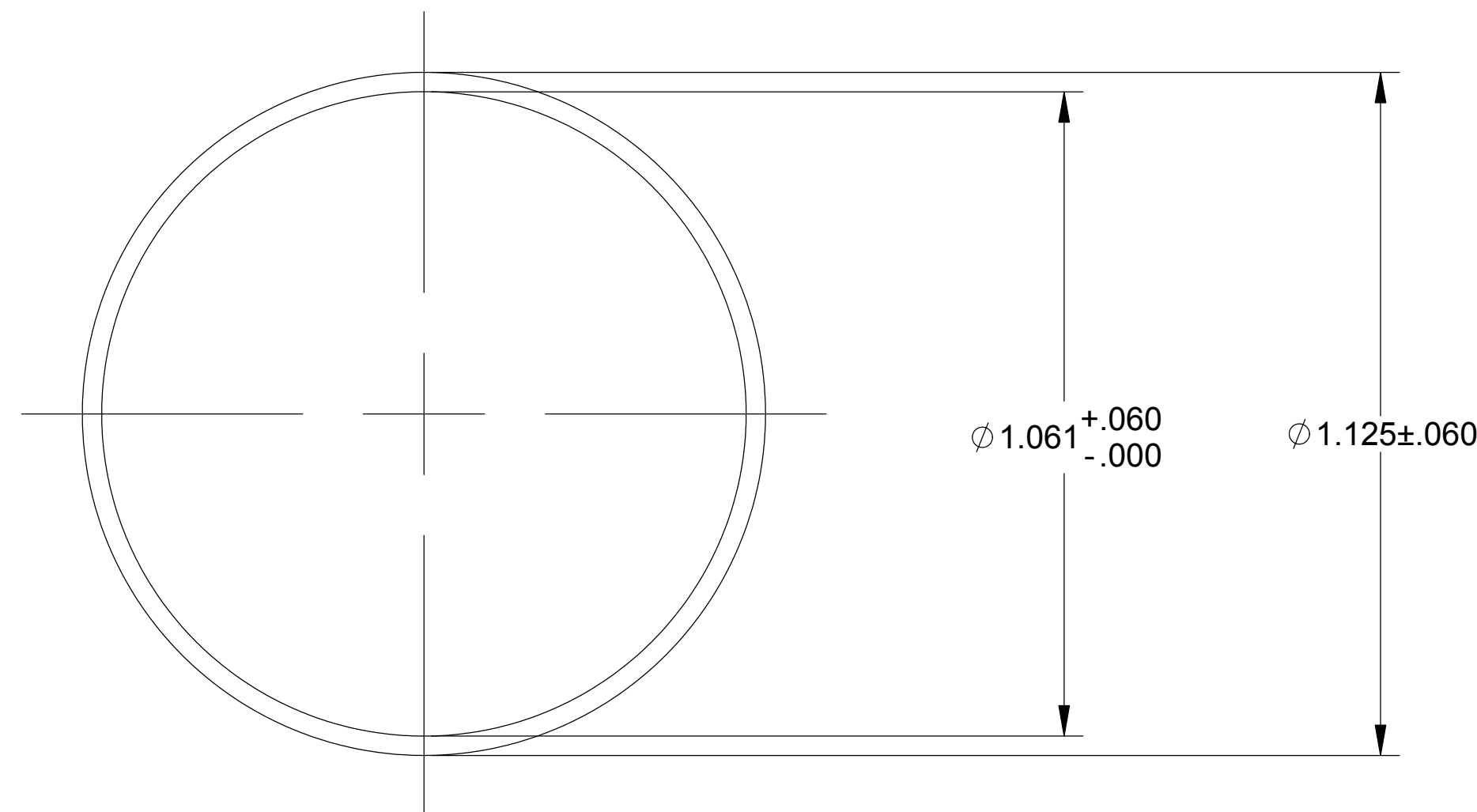


LTR		ZONE	DESCRIPTION	REVISIONS										
DWN	CHK	ENGR	STRESS	MATL	THRM	ME	PROJ	QA	RELEASE DATE					
A			INITIAL RELEASE											



NOTES: UNLESS OTHERWISE SPECIFIED.
 1. REMOVE ALL BURRS AND SHARP EDGES .002-.010.

THIS DOCUMENT MAY CONTAIN ITAR CONTROLLED INFORMATION AND/OR COMMERCE CONTROLLED INFORMATION EXPORT RESTRICTIONS MAY APPLY

FILE ATTACHMENTS
 20008061.x_t

QTY REQD	ITEM NO	REF DES	CAGE NO	20008061-1	PART OR IDENTIFYING NO	NOMENCLATURE OR DESCRIPTION	SPECIFICATION	MATERIAL OR NOTE	ZONE	
PARTS LIST										
CONTRACT NO		UNLESS OTHERWISE SPECIFIED DIMENSIONS ARE IN INCHES TOLERANCES DECIMALS .XX ±.03 .XXX ±.010 ANGLES ± 1/2° MACHINE FINISH <input checked="" type="checkbox"/> <input type="checkbox"/> DO NOT SCALE DRAWING INTERPRET DWG PER ASME Y14.5M-1994			RELEASED 9/13/2004 <small>THIS DRAWING IS PRELIMINARY AND NOT UNDER CONFIGURATION CONTROL UNLESS A RED RELEASED STAMP APPEARS HEREIN</small>		ALLIANCE SPACESYSTEMS, INC. 1250 Lincoln Ave., Suite 100 Pasadena, CA 91103			
20008050		1388			MAKE FROM MC MASTER CARR PART NO. 8967K111		DWN KEVIN J SPINK 09/01/04 PROJ ENGR STRS CHK MATL CONFIG PROJ ME QA		SIZE D CAGE CODE 1KNU9 SCALE 4:1	REV A 20008061 UNCLASSIFIED SHEET 1 OF 1
NEXT ASSEMBLY		PROJECT CODE			APPLICATION		REV 7/04			