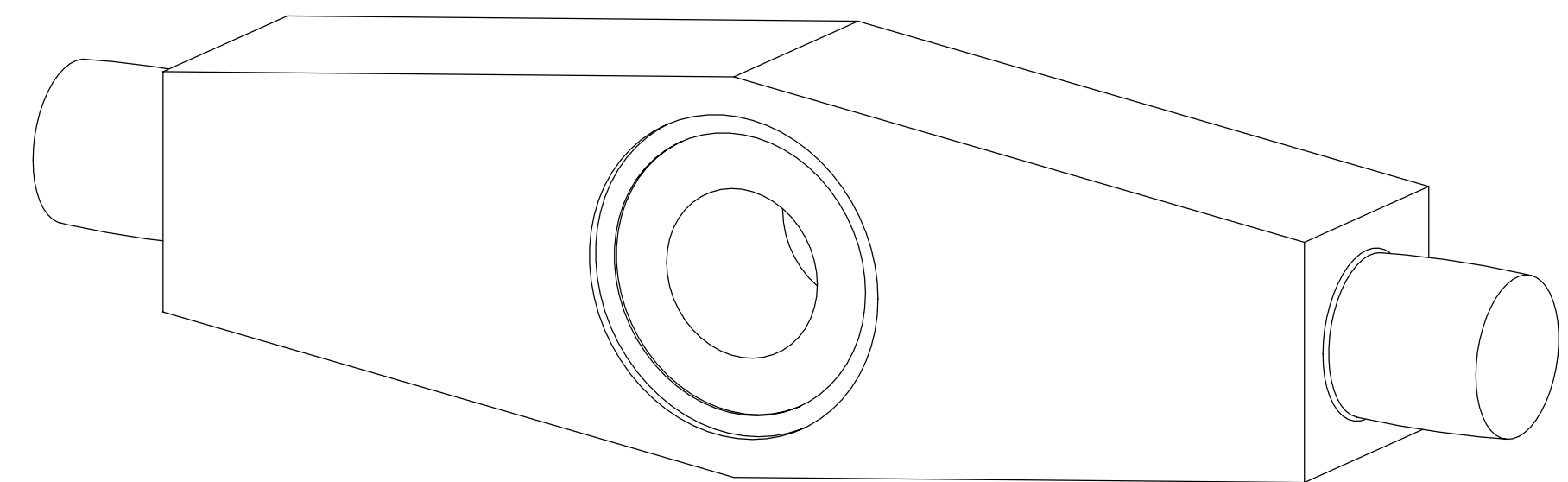
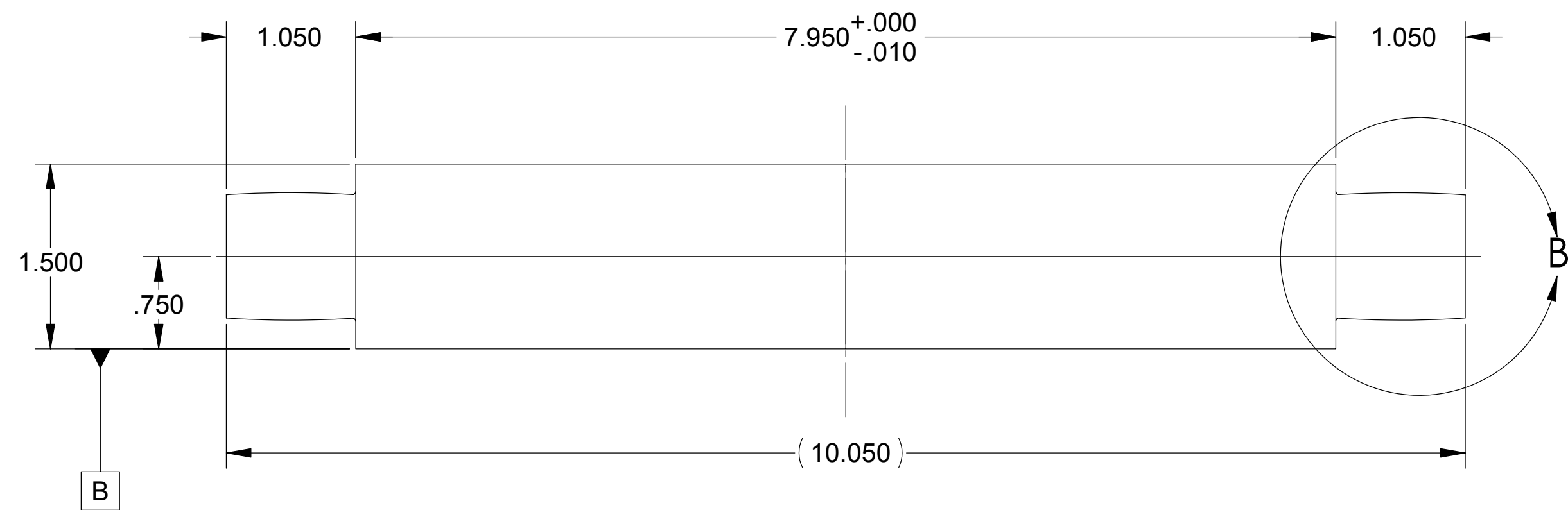
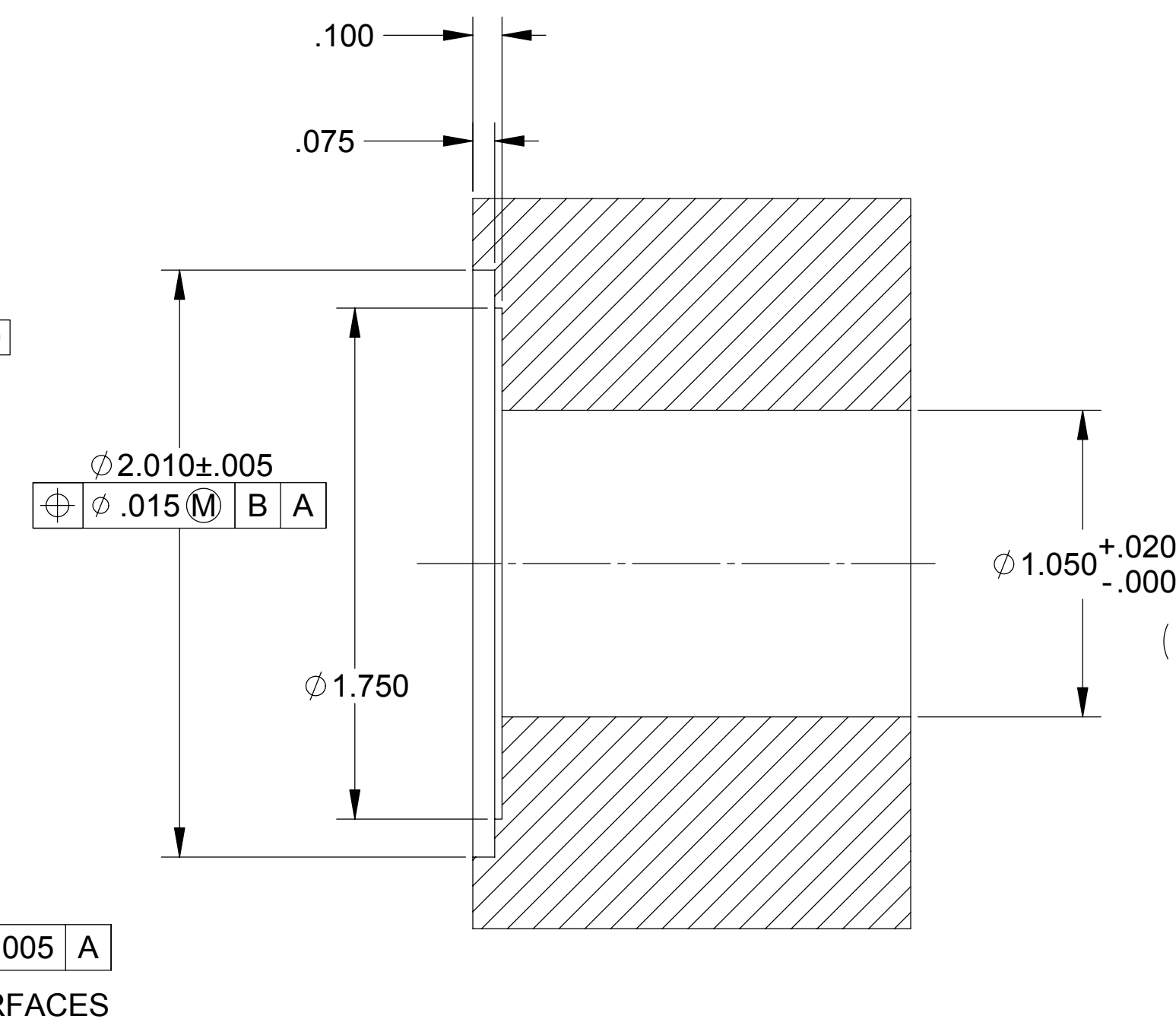
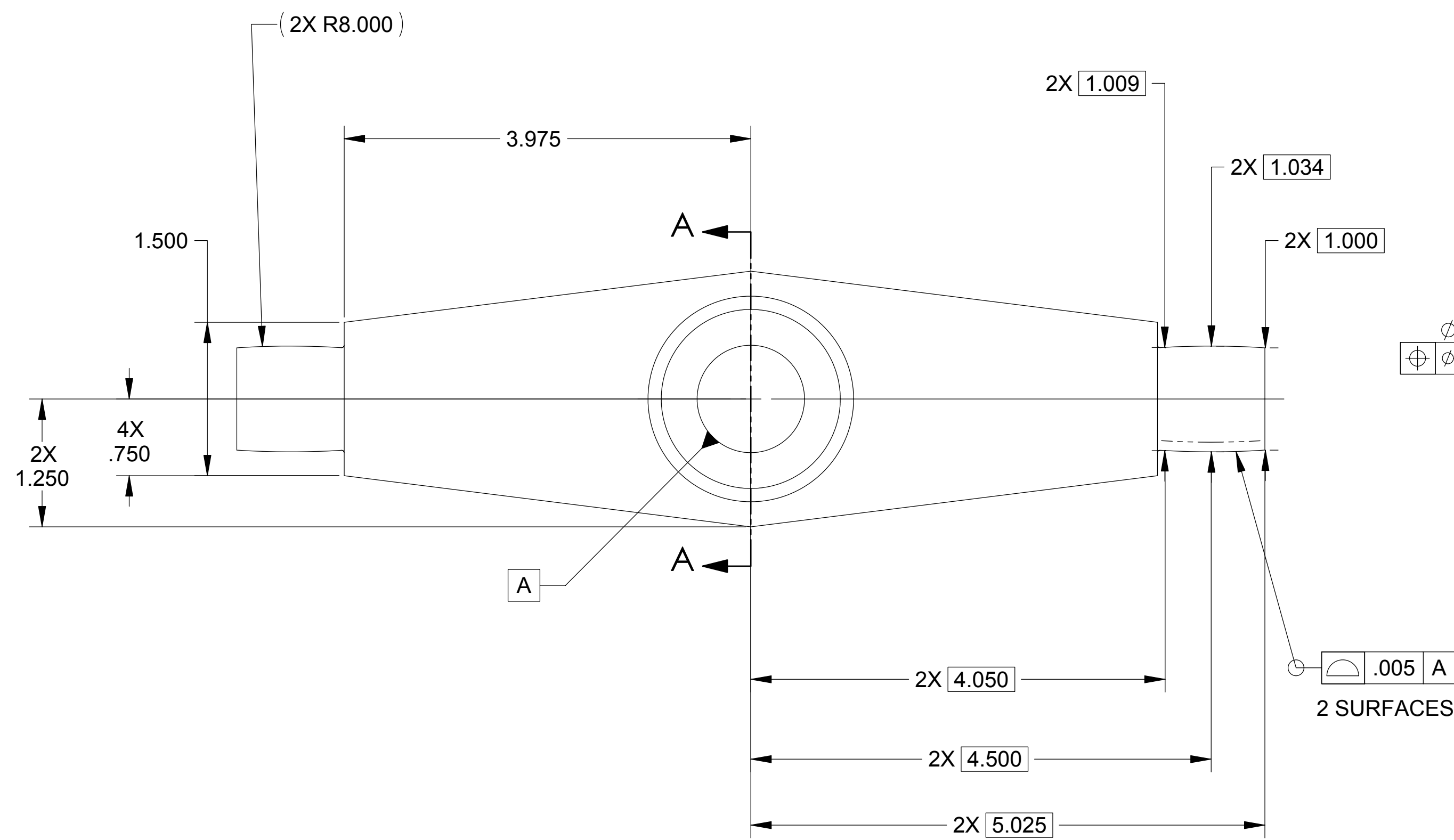


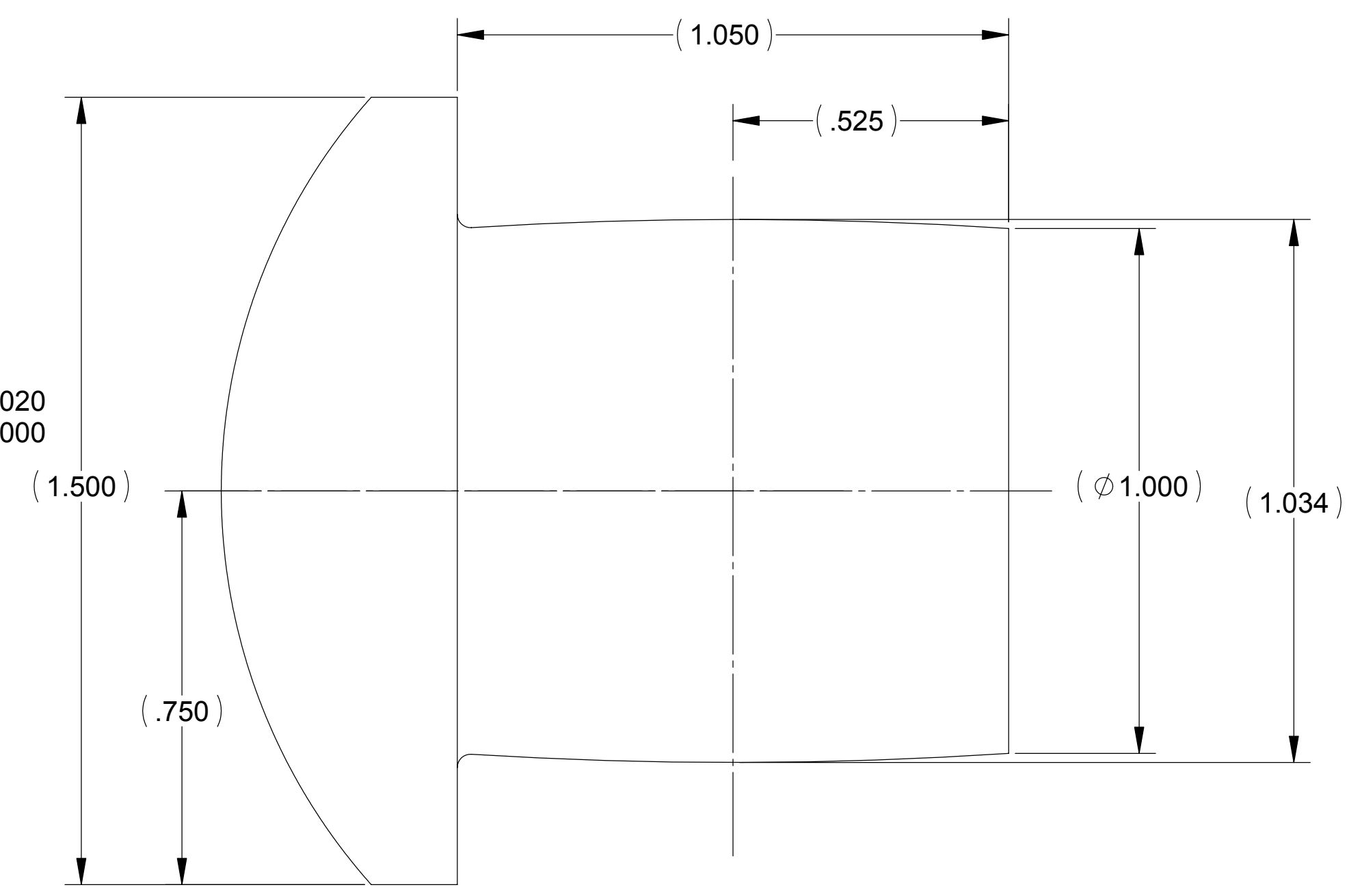
LTR		ZONE		DESCRIPTION	REVISIONS									
A				INITIAL RELEASE	DWN	CHK	ENGR	STRESS	MATL	THRM	ME	PROJ	QA	RELEASE DATE



REFERENCE ONLY



SECTION A-A
SCALE 2 : 1



DETAIL B
SCALE 4 : 1
2 PLACES

- NOTES: UNLESS OTHERWISE SPECIFIED.
1. REMOVE ALL BURRS AND SHARP EDGES .005-.015.
 2. MACHINE FILLET RADII .003-.015.
 3. MACHINE CENTERS PERMISSIBLE.

20008064-1											
QTY REQD	ITEM NO	REF DES	CAGE NO	PART OR IDENTIFYING NO	NOMENCLATURE OR DESCRIPTION	SPECIFICATION	MATERIAL OR NOTE	ZONE			
CONTRACT NO					UNLESS OTHERWISE SPECIFIED DIMENSIONS ARE IN INCHES TOLERANCES DECIMALS .XX ±.03 .XXX ±.010 ± 1/2" ANGLES 63 MACHINE FINISH DO NOT SCALE DRAWING INTERPRET DWG PER ASME Y14.5M-1994					RELEASED 8/31/2004	
20008050					CRES 17-4 PH OR 4130					ALLIANCE SPACESYSTEMS, INC. 1250 Lincoln Ave., Suite 100 Pasadena, CA 91103	
NEXT ASSEMBLY					PROJECT CODE					CRADLE BACK PIVOT SPRING TEST FIXTURE LIGO D048064-A	
APPLICATION					MATERIAL					SIZE D CAGE CODE 1KNU9 20008064 REV A	
					SCALE 1:1					UNCLASSIFIED SHEET 1 OF 1	

THIS DOCUMENT MAY CONTAIN ITAR CONTROLLED INFORMATION AND/OR COMMERCE CONTROLLED INFORMATION EXPORT RESTRICTIONS MAY APPLY

FILE ATTACHMENTS
20008064.x_t