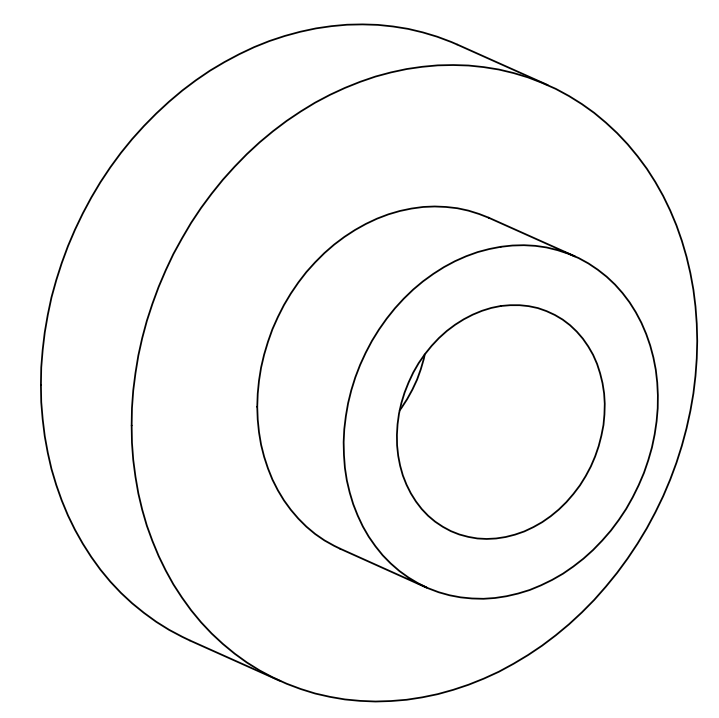
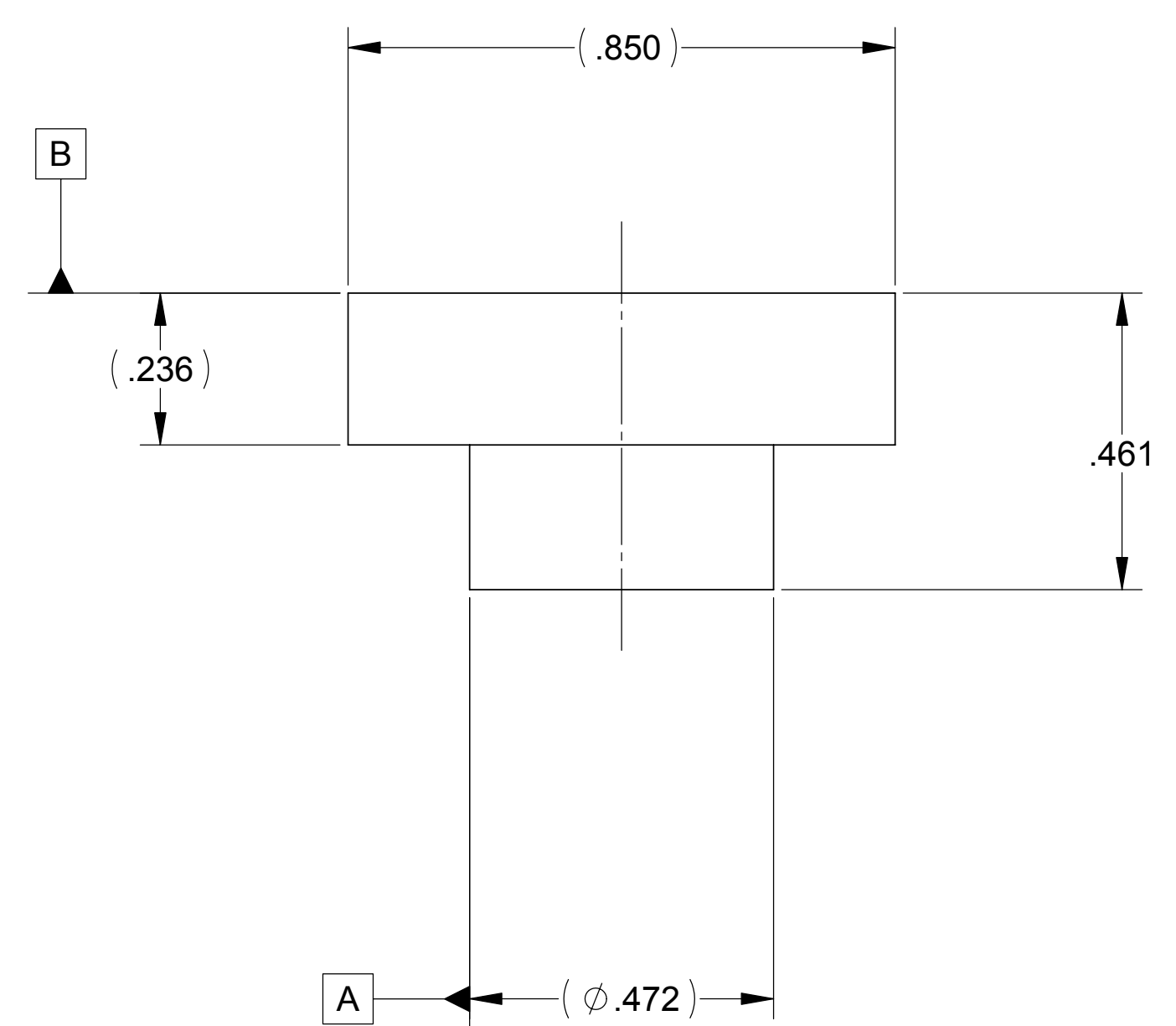
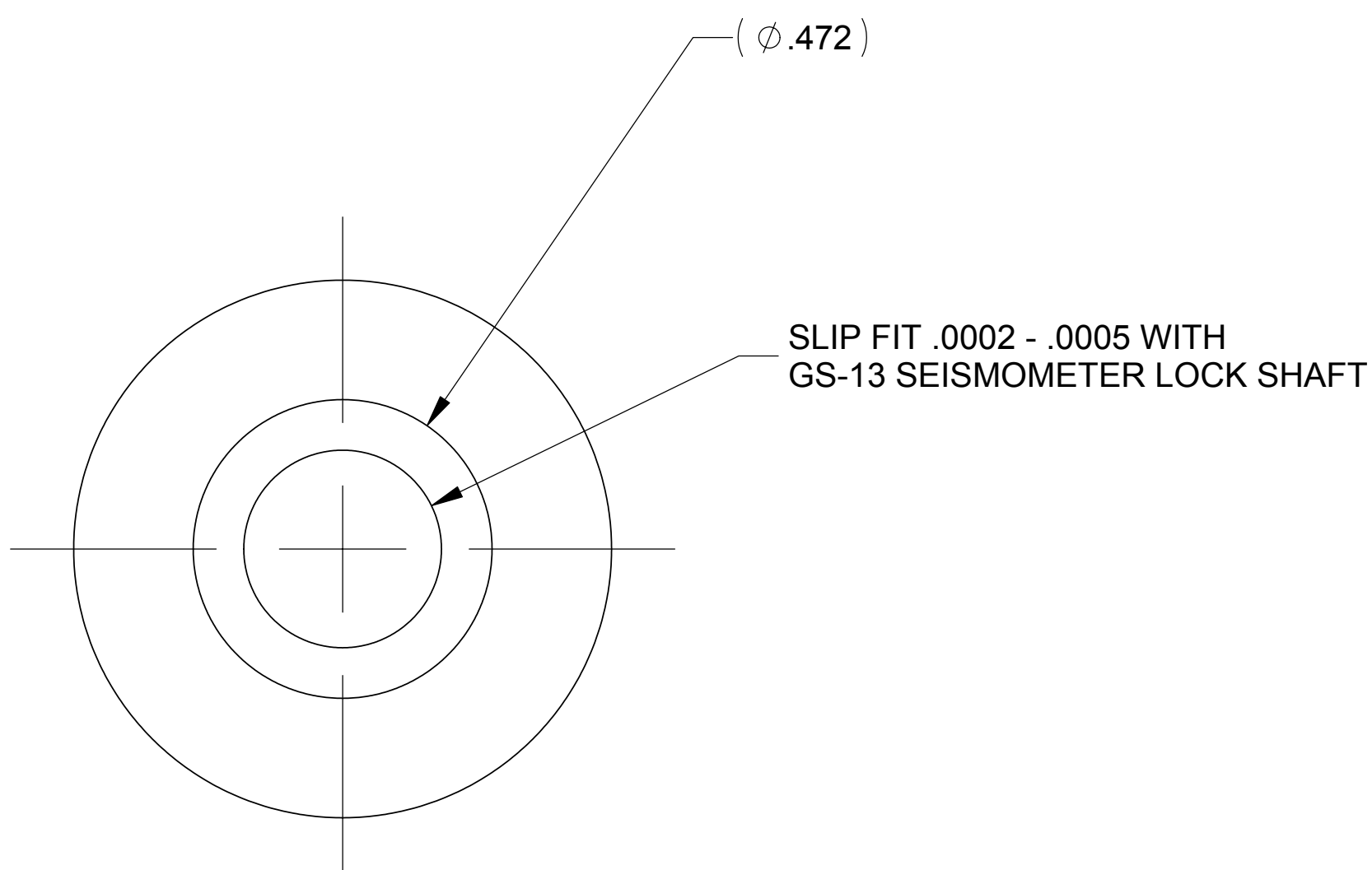


LTR		ZONE		DESCRIPTION		REVISIONS										
DWN	CHK	ENGR	STRESS	MATL	THRM	ME	PROJ	QA	RELEASE DATE							
A																5/19/2004
B																



ISOMETRIC VIEW FOR REFERENCE ONLY



4. IDENTIFY WITH PART NUMBER AND S/N. BAG AND TAG.
 3. MAKE FROM STOCK DRIVE PART NUMBER A1Y2MY08025, 416 CRES.
 2. MACHINE FILLET RADII .005 - .015.
 1. REMOVE ALL BURRS AND SHARP EDGES .005 - .015.
- NOTES: UNLESS OTHERWISE SPECIFIED

QTY REQD		ITEM NO	REF DES	CAGE NO	20008592-1	PART OR IDENTIFYING NO	NOMENCLATURE OR DESCRIPTION	SPECIFICATION	MATERIAL OR NOTE	ZONE		
CONTRACT NO							UNLESS OTHERWISE SPECIFIED DIMENSIONS ARE IN INCHES TOLERANCES DECIMALS .XX ±.03 .XXX ±.010 ANGLES ± 1/2° MACHINE FINISH 63 DO NOT SCALE DRAWING INTERPRET DWG PER ASME Y14.5M				RELEASED 6/3/2004 DWN J. LARAMEE 04/28/04 ENGR NA STRS NA CHK NA MATL THRM NA PROJ ME NA QA NA	
20008593							1422		ALLIANCE SPACESYSTEMS, INC. 1250 Lincoln Ave., Suite 100 Pasadena, CA 91103		GEAR, GS-13 LOCK SIZE D CAGE CODE 1KNU9 20008592	
NEXT ASSEMBLY							PROJECT CODE		SCALE 4:1		REV B SHEET 1 OF 1	
APPLICATION									MATERIAL		REV 3/03	

FILE ATTACHMENTS
 gears_sd_metric.x_t

THIS DOCUMENT MAY CONTAIN ITAR CONTROLLED INFORMATION AND/OR COMMERCE CONTROLLED INFORMATION EXPORT RESTRICTIONS MAY APPLY