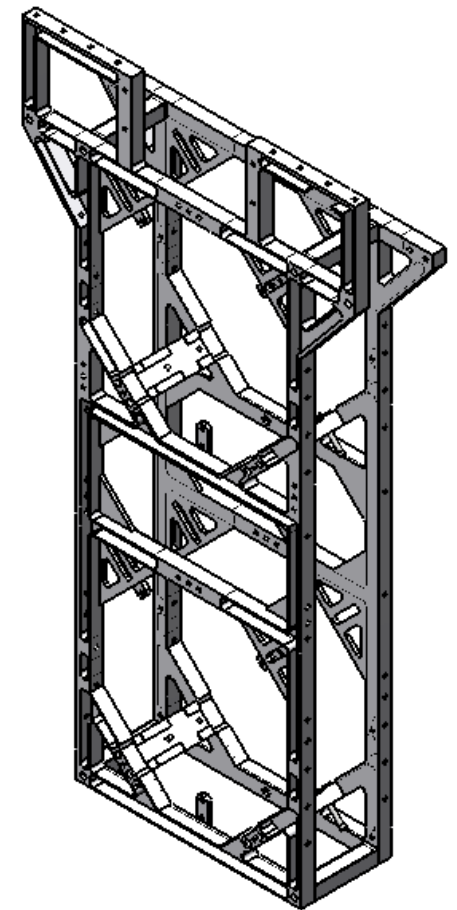
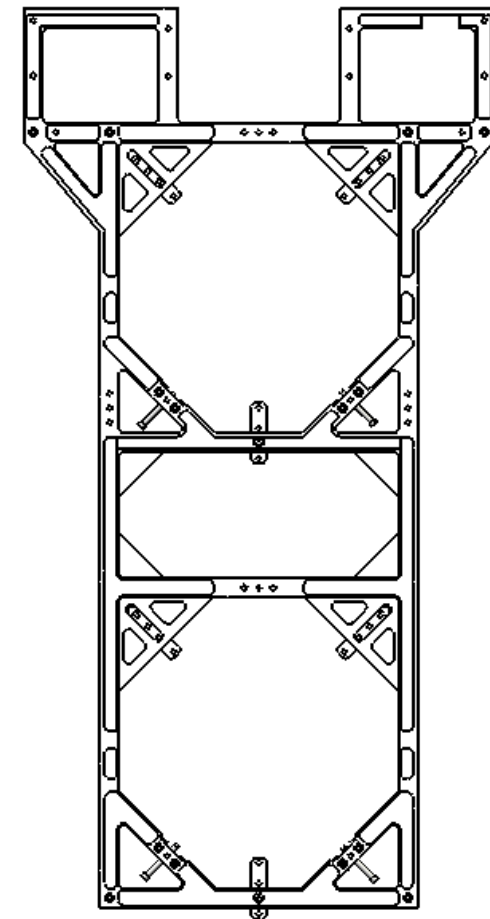
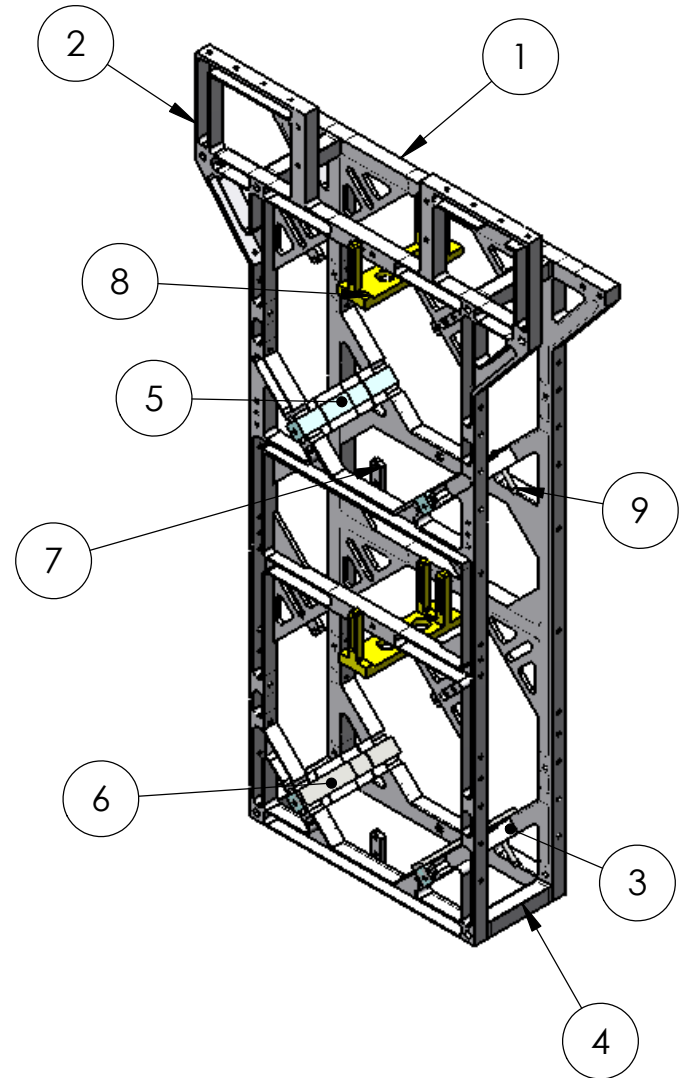
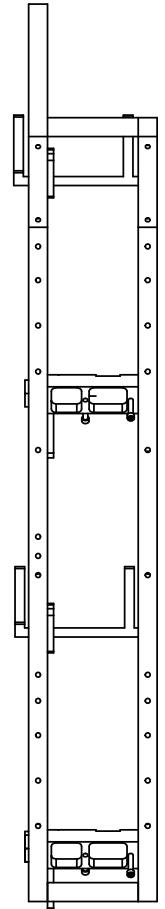
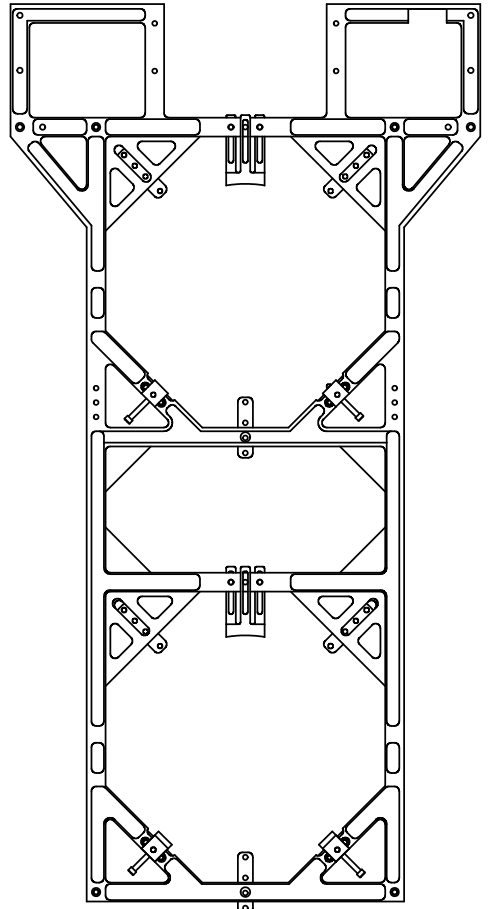
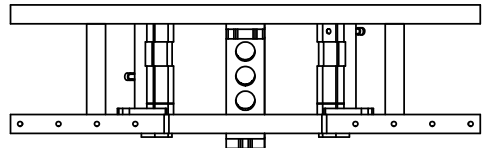


REV.	DATE	DCN #	DRAWING TREE #
A	MAR 23 2006	E060057-00	E060059-A



SUSPENDED CONFIGURATION

ITEM NO.	REQ	SPARE	TOTAL	PART NUMBER	DESCRIPTION	MATERIAL
10	30	10	40	--	SHCS 1/4-20 X VARIOUS LENGTHS (0.75" to 1.5")	300 SSTL
9	4		4	--	STAINLESS SHCS, 1/4-20X2.5, ROUNDED END	300 SST
8	2		2	D050188	LOWER STRUCTURE TOP E-STOPS	6061-T6-AI
7	6		6	D050195	FACE STOP	6061-T6-AI
6	2		2	D050213	PFA 440HP BEARING PAD FOR ASSEMBLY	PFA 440HP
5	4		4	D050053	Teflon Bearing Pad	PFA 440HP
4	4		4	D050038	LOWER STR FACEPLATE CONNECTOR	
3	4		4	D050036	MASS SUPPORT STRUT	
2	1		1	D050035	FACEPLATE	6061-T6 AI
1	1		1	D050090	INNER FACEPLATE	6061-T6 AI
BILL OF MATERIALS						

NOTES: (UNLESS OTHERWISE SPECIFIED)

- DO NOT SCALE FROM DRAWING.
- REMOVE ALL SHARP EDGES, R.02 MAX.
- ALL MACHINING FLUIDS SHALL BE WATER SOLUBLE AND FREE OF SULFUR, CHLORINE AND SILICONE.

DIMENSIONS ARE IN INCHES
TOLERANCES:
.XX ± 0.01
.XXX ± 0.005
ANGULAR ± 0.5 °

MATERIAL: --
FINISH: -- μ inch

	NAME	DATE
DRAWN	C. Torrie	27 March 06
CHECKED	R. Jones	27 March 06
APPROVED		

LIGO CALIFORNIA INSTITUTE OF TECHNOLOGY
MASSACHUSETTS INSTITUTE OF TECHNOLOGY
IGR, GLASGOW UNIVERSITY GEO 600 GROUP

SYSTEM: **ADVANCED LIGO**
SUB-SYSTEM: **SUSPENSIONS**
NEXT ASSY: **D040516**
PART NAME: **ETM LOWER STRUCTURE SINGLE CATCHER**

SIZE DWG. NO.: **B D050040** REV. **A**
SCALE: NTS PROJECTION: SHEET 1 OF 1