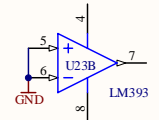
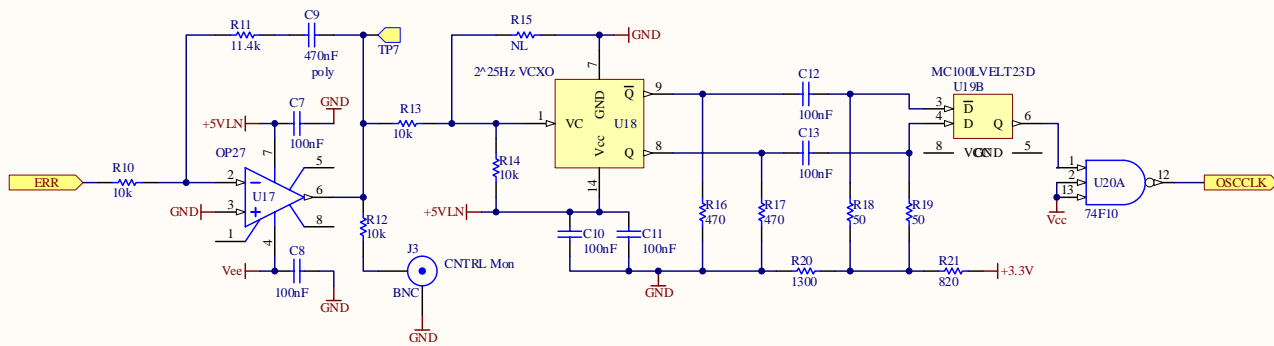
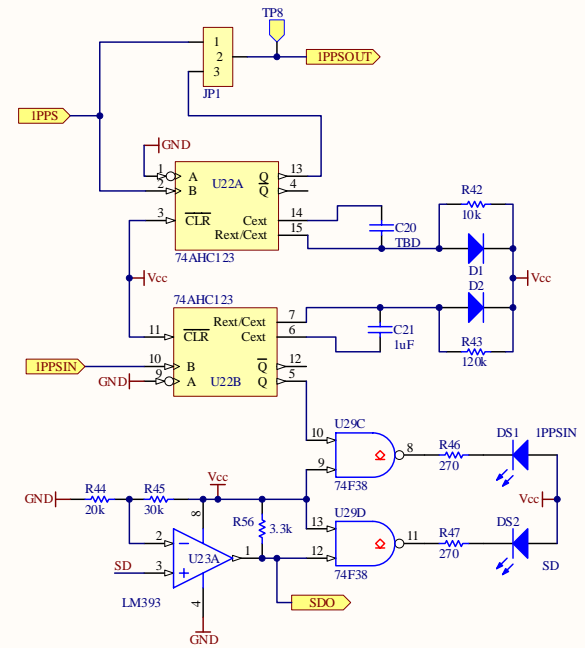
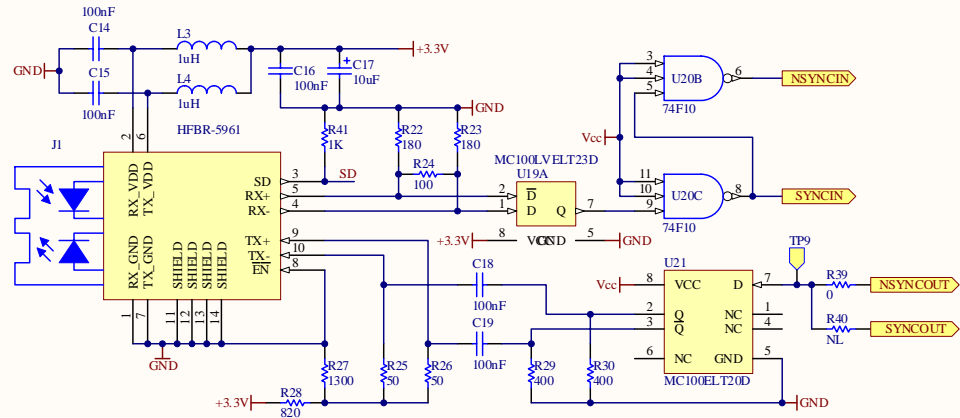
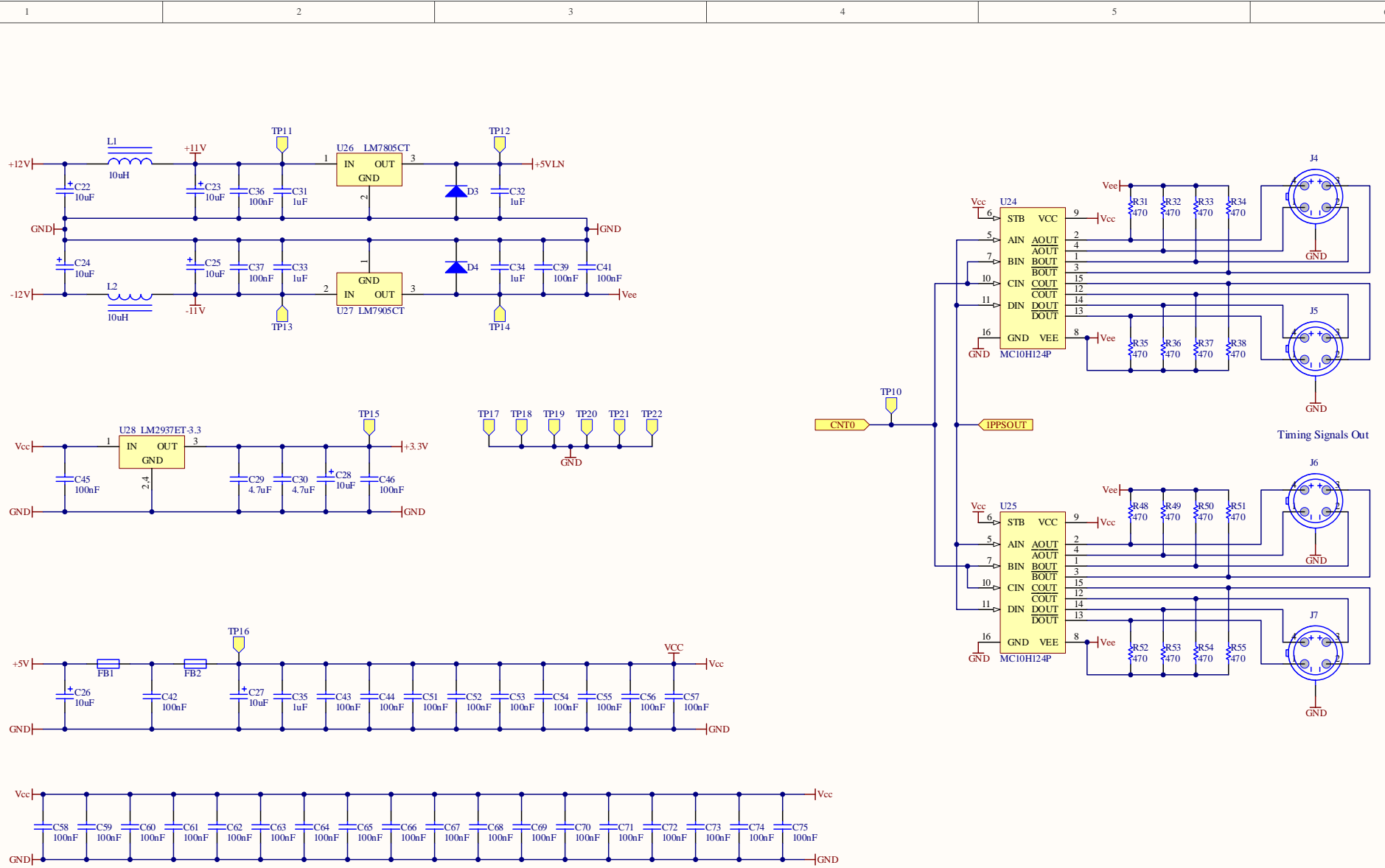


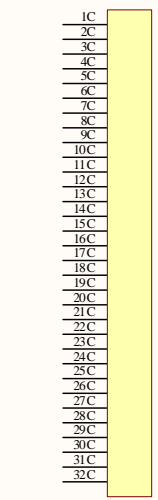
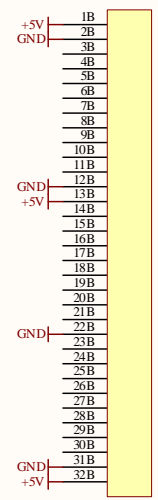
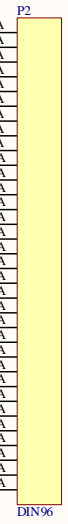
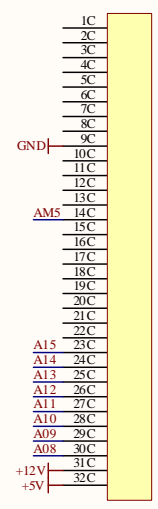
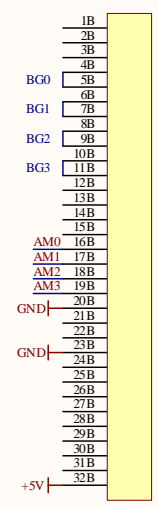
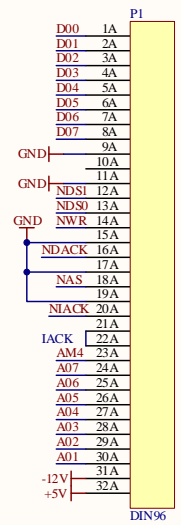
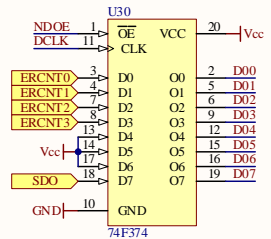
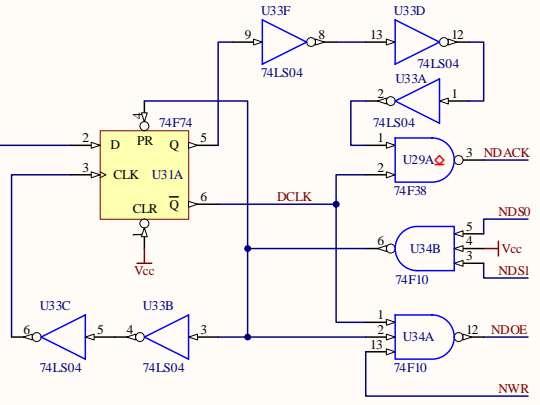
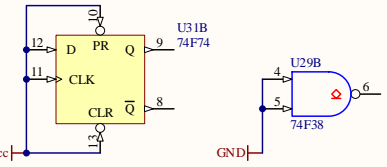
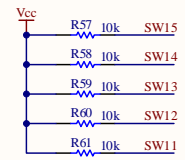
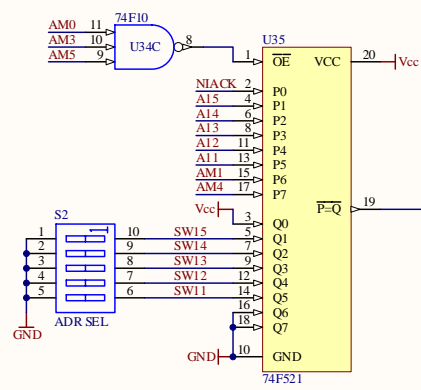
Title		
Synchronized Timing Generator		
Size	Number	Revision
B	D050093	
Date:	5/31/2005	Sheet 1 of 4
File:	E:\User\proj\lgo\ABSTG\STG.SchDoc Drawn By: Paul Schwinberg	



Title Synchronized Timing Generator		
Size B	Number D050093	Revision
Date: 5/31/2005	Sheet 2 of 4	
File: E:\User\proj\ligo\ABSTG\STG2.SCHDOC Drawn By: Paul Schwinberg		



Title Synchronized Timing Generator		
Size B	Number D050093	Revision
Date: 5/31/2005	Sheet 3 of 4	
File: E:\User\proj\lgo\ABSTG\STG3.SCHDOC Drawn By: Paul Schwinberg		



Title Synchronized Timing Generator		
Size B	Number D050093	Revision
Date:	5/31/2005	Sheet4 of 4
File:	E:\User\proj\ligo\ABSTG\STG4.SCHDOC Drawn By: PBS, JRM	