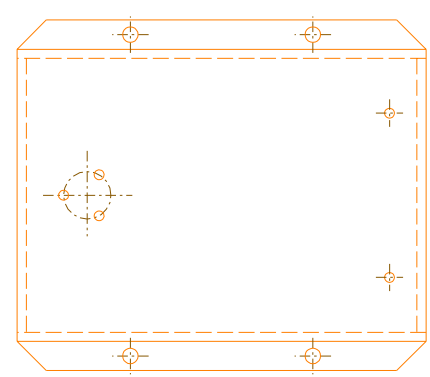
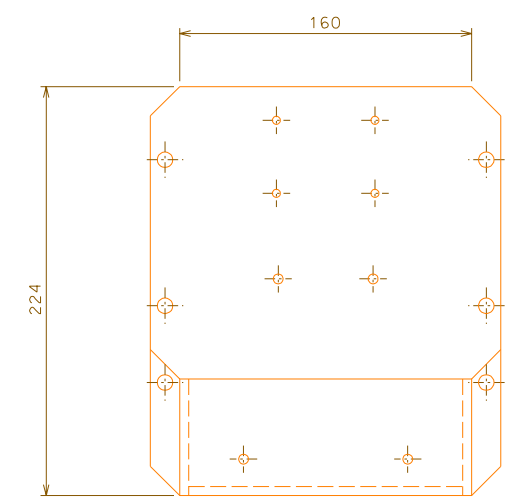
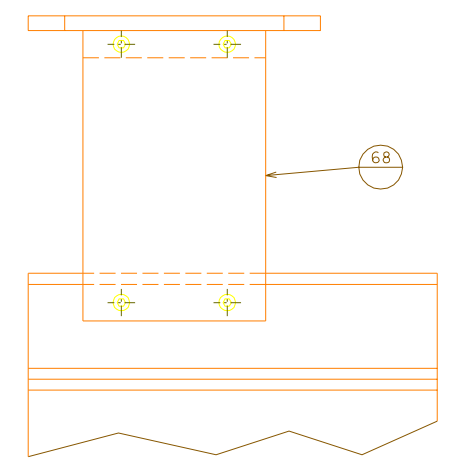


ref.	note	date	signature
5-5.1	countersunk head M6x20 (S)	16	
6-65	washer d=8	16	
6-65	nut M8	16	
6-65	tormy head M8x20	16	
5-6-68	tormy head M5x12 (S)	32	
4-5	tormy head M6x20	16	
1-65	tormy head M6x20	16	
detail	type	n°	piec.

Screw's table



ref.	note	date	signature
modifications			
gr.3.1	012	LVDT	
72	023	electr. conn. bar	
68	029	LVDT/act. transp. plate	
65	029	LVDT/act. L100-I spacer	
6	030	sensor/act. base	
5	030	sensor/act. plate	gr.3.2 011 actuator
ref.	draw.	added legend	ref. draw. added legend

	<b>LIGO PROJECT</b> designed for <b>R.De Salvo</b> draw. by <b>G. Gennaro-PROMEC</b> date <b>26-12-04</b>	
	title <b>HAM-OPTICAL BENCH</b> <b>LVDT-ACTUATOR</b>	
		LIGO-D050105-00-D scale 1/2 A 2