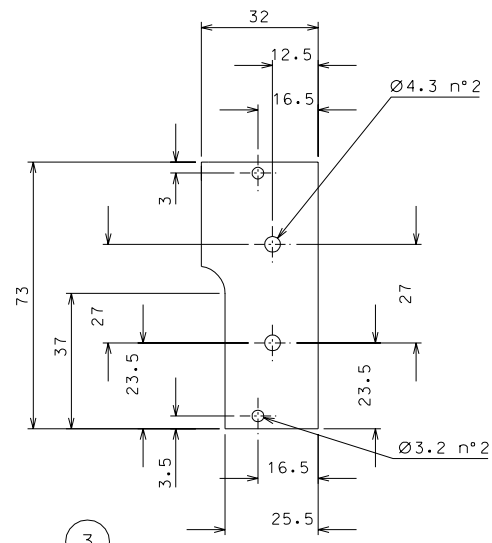
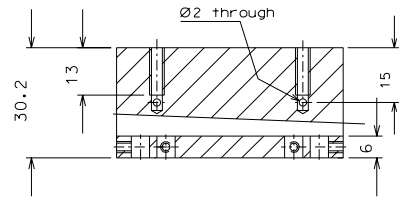


4

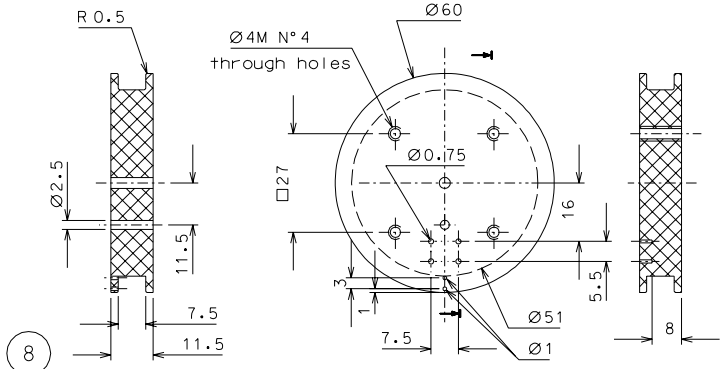


3

6



8



ref.	note	date	signature
modifications			
8	8	peek 1000	1:1
6	4	EN 6082	1:1
4	8	EN 6082	1:1
3	16	EN 6082	1:1
ref.	pieces	mat. and treatments	scale

General machining tolerances UNI 5307-63								
Dimensions	< 6	> 6-30	> 30-120	> 120-315	> 315-1000	> 1000-2000	> 2000-4000	> 4000
Linear Toli.	± 0.1	± 0.2	± 0.3	± 0.5	± 0.8	± 1.2	± 2	± 3
angular Toli.	± 1'	± 30'	± 20'	± 10' referred to the shortest side				

	<b>LIGO PROJECT</b>		designed for <b>R.De Salvo</b>	
	draw. by <b>G. Gennaro-PROMECC</b>		date 6-01-05	scale 1/1
title <b>HAM-OPTICAL BENCH</b>			LIGO-D050131-00-D	
LVDT			date <sup>1</sup> from 112	A 2