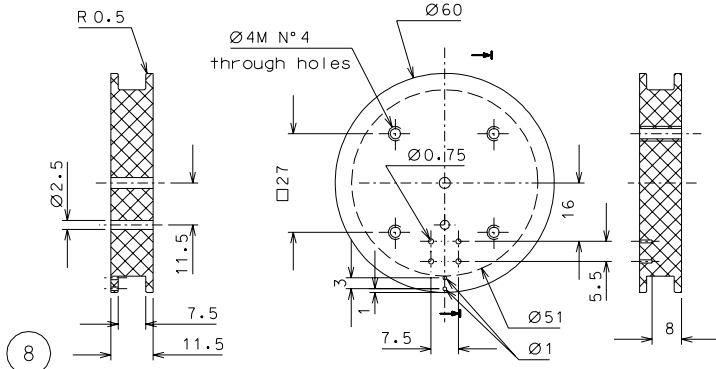
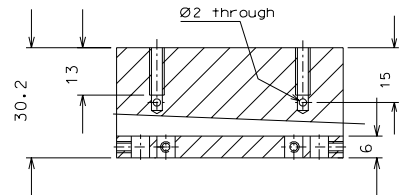
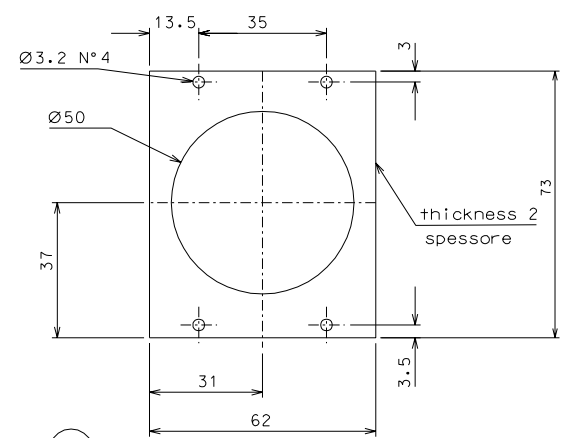


6

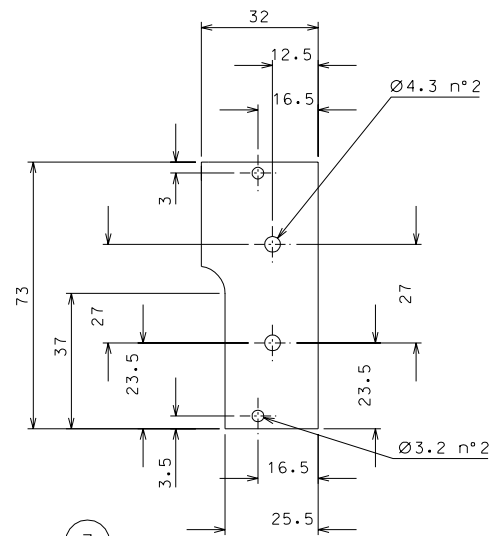


8

Secondary coil: wire 38-AWG, 430 turns.
Use only kapton insulated wires approved
by LIGO, all other kinds of enamel are
forbidden.



4



3

ref.	note	date	signature
modifications			
8	8	peek 1000	1:1
6	4	EN 6082	1:1
4	8	EN 6082	1:1
3	16	EN 6082	1:1
ref.	pieces	mat. and treatments	scale

General machining tolerances UNI 5307-63								
Dimensions	< 6	> 6-30	> 30-120	> 120-315	> 315-1000	> 1000-2000	> 2000-4000	> 4000
linear Toli.	± 0.1	± 0.2	± 0.3	± 0.5	± 0.8	± 1.2	± 2	± 3
angular Toli.	± 1'	± 30'	± 20'	± 10' referred to the shortest side				

designed for R.De Salvo	
draw. by G. Gennaro-PROMECC	
date 6-01-05	scale 1/1
title HAM-OPTICAL BENCH	
LVDI	
date ¹ from 112	A 2