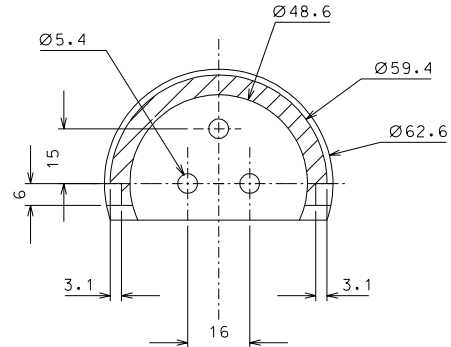
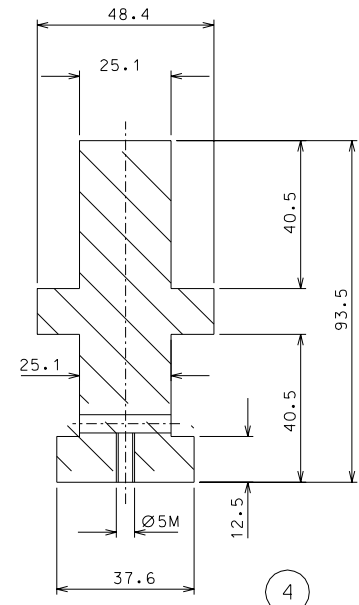
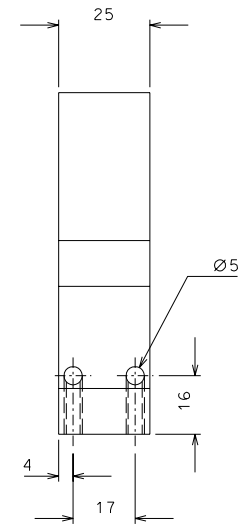
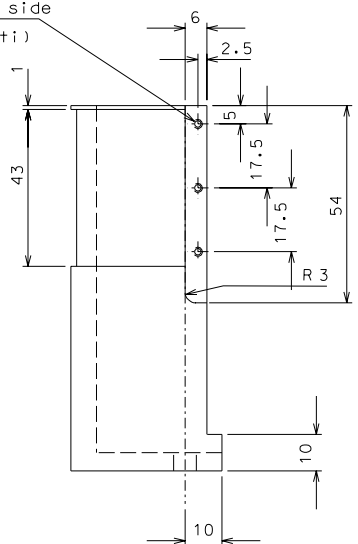
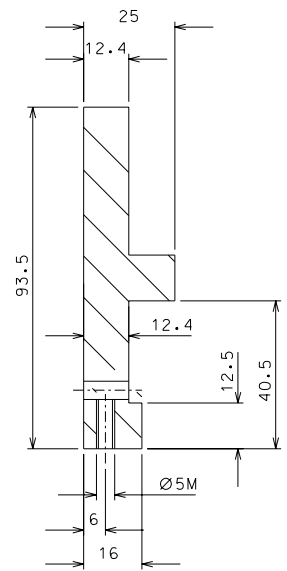
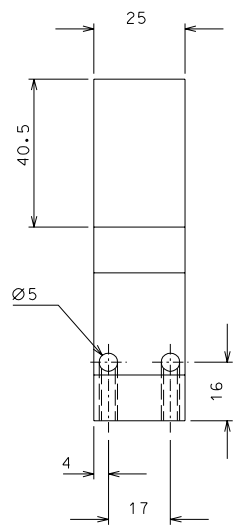


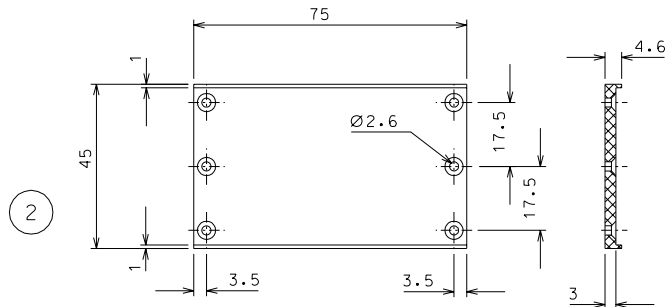
Ø2.5M n°6 on both side
(su entrambi i lati)



5



3



2

ref.	note	date	signature
modifications			
5	8	AISI 304	1:1
4	4	ARMCO steel	1:1
3	8	"	1:1
2	8	peek 1000	1:1
ref.	pieces	mat. and treatments	scale

General machining tolerances UNI 5307-63								
Dimensions	< 6	> 6-30	> 30-120	> 120-315	> 315-1000	> 1000-2000	> 2000-4000	> 4000
Linear Toli.	± 0,1	± 0,2	± 0,3	± 0,5	± 0,8	± 1,2	± 2	± 3
angular Toli.	± 1'	± 30'	± 20'	± 10' referred to the shortest side				

designed for R.De Salvo	
draw. by G. Gennaro-PROMECC	scale 1/1
date 6-01-05	scale 1/1
title HAM-OPTICAL BENCH ACTUATOR	
detat ¹ from 111	A 2