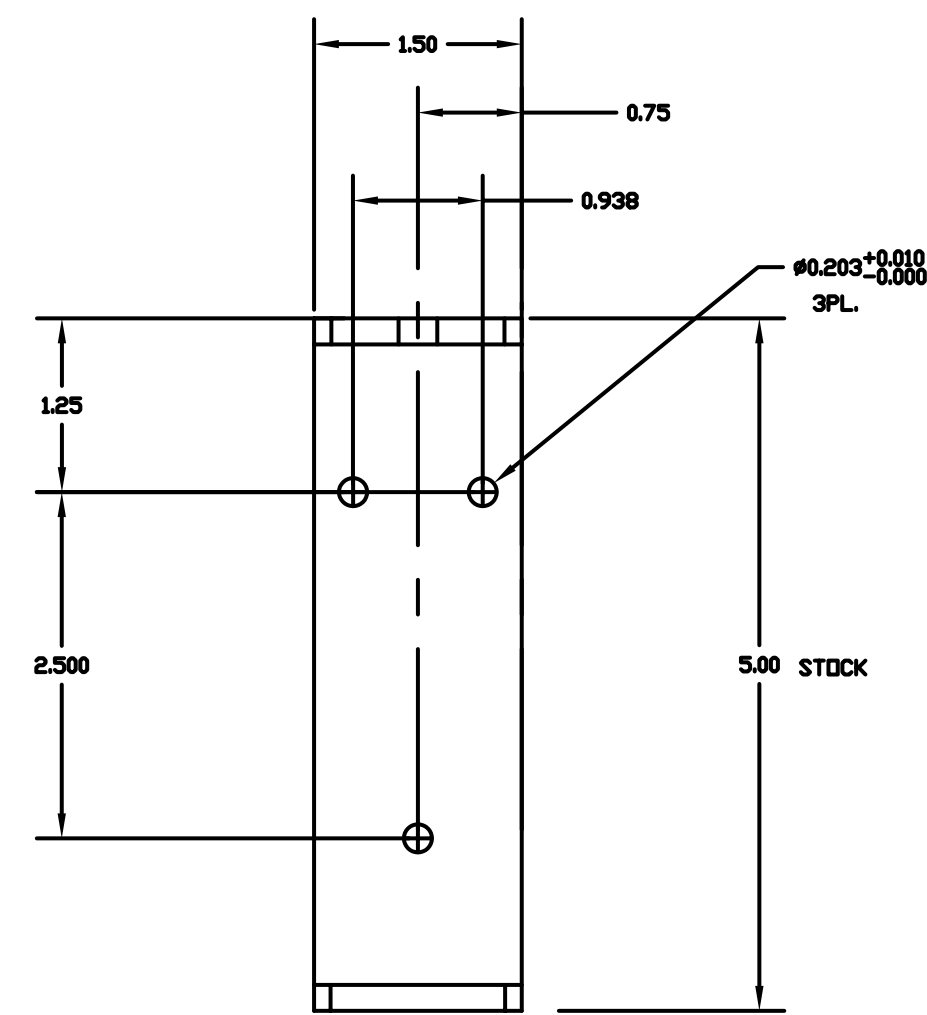


NOTES: (UNLESS OTHERWISE SPECIFIED)

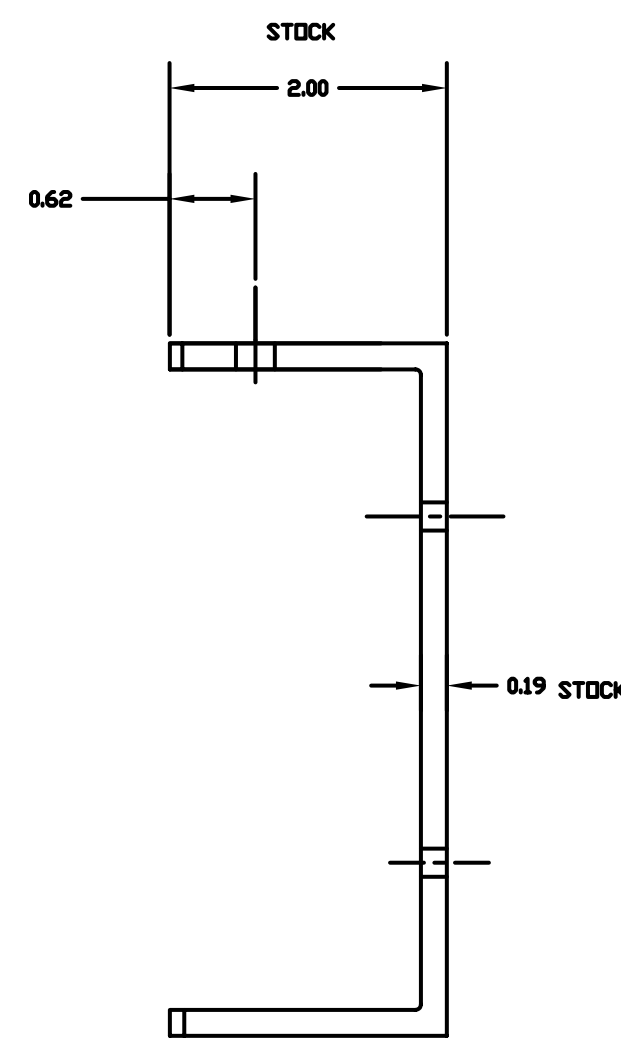
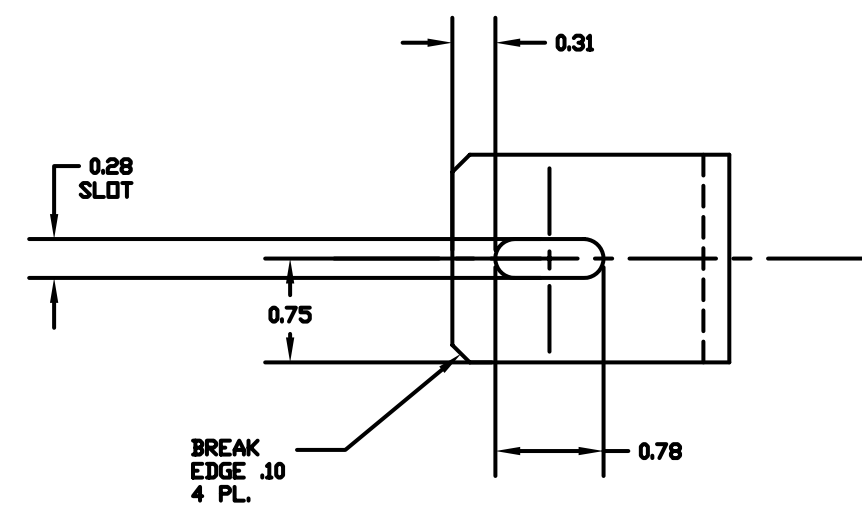
1. MAKE ONE EACH.

REV.	DATE	BY	CHKD	DRAWING TREE #
A	9-5-95			030229-00

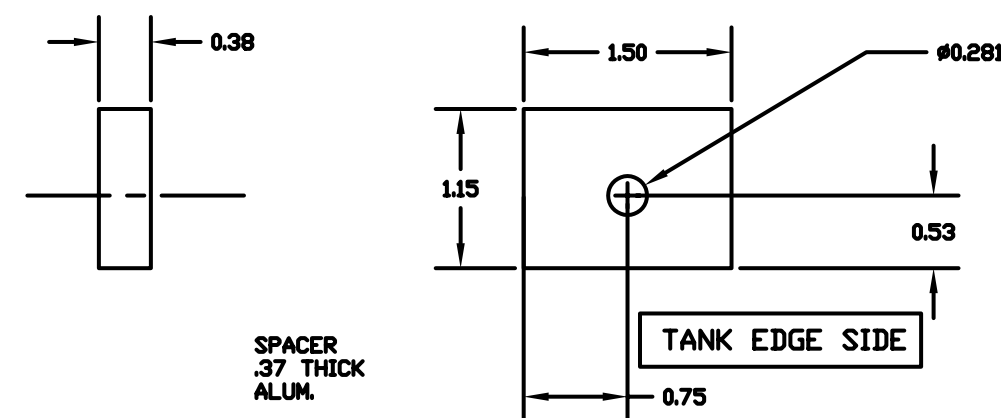


1

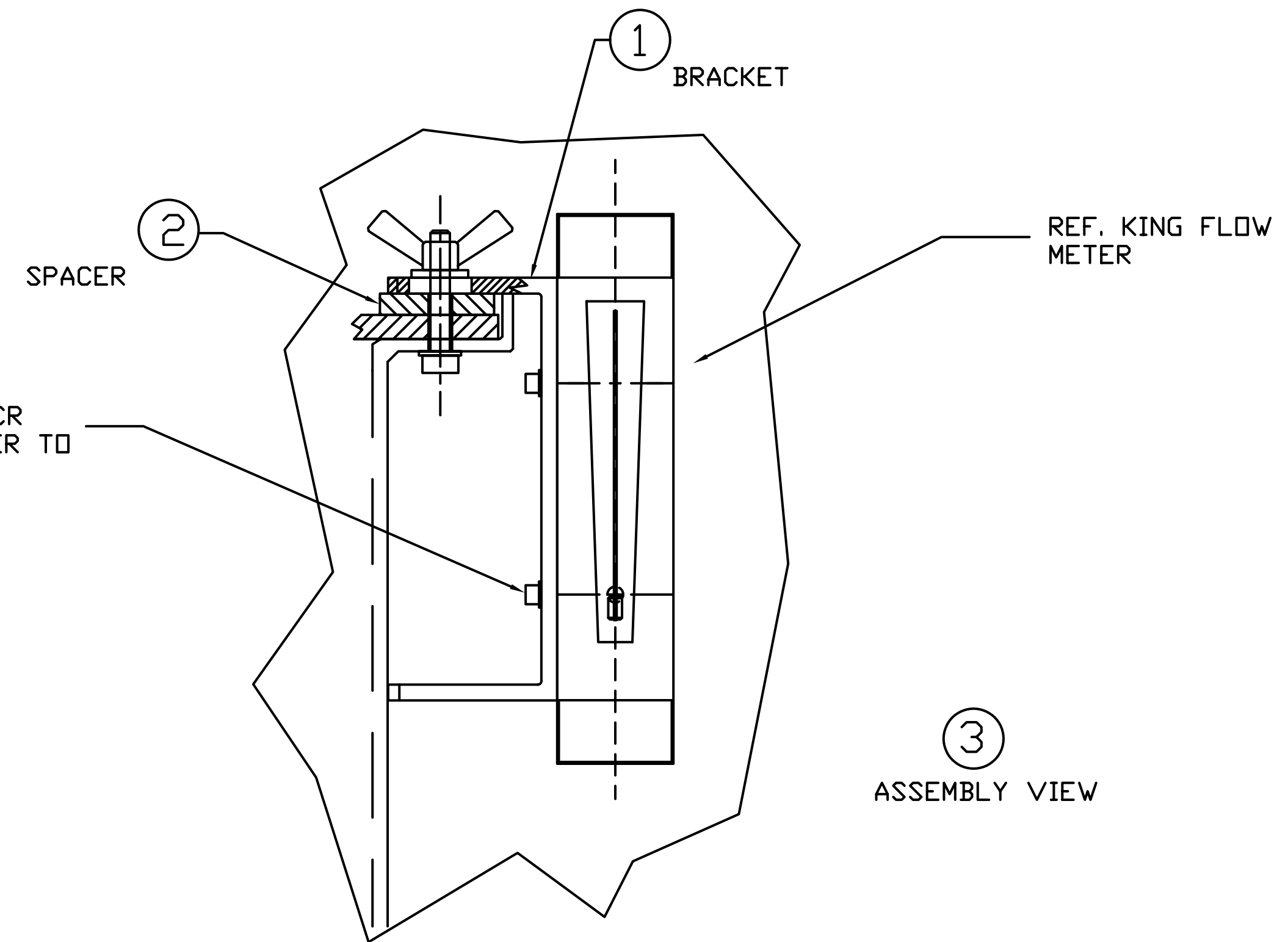
BRACKET  
MATERIAL:  
.18 THICK  
ALUMINUM CHANNEL  
STOCK MATERIAL



2



SPACER  
.37 THICK  
ALUM.



3  
ASSEMBLY VIEW

ITEM NO.	REQ.	SPARE	TOT.	PART NUMBER	DESCRIPTION	MATERIAL
3	1				ASSEMBLY	ALUM
2	1				SPACER	ALUM
1	1				BRACKET	ALUM

PARTS LIST			
UNLESS OTHERWISE SPECIFIED	DATE	NAME	
DIMENSIONS ARE IN INCHES	9-21-95	MDM	LIIGO CALIFORNIA INSTITUTE OF TECHNOLOGY
TOLERANCES:			MASSACHUSETTS INSTITUTE OF TECHNOLOGY
XXX ±			SYSTEM LHM /LLO
XXX ±			SUB-SYSTEM TCS
ANGULAR ±			NEXT ASSY NONE
			PART NAME TCS CHILLER FLOW METER BRACKET
			SIZE DWG. NO. D050360-A
			SCALE: SHEET 1 OF 1