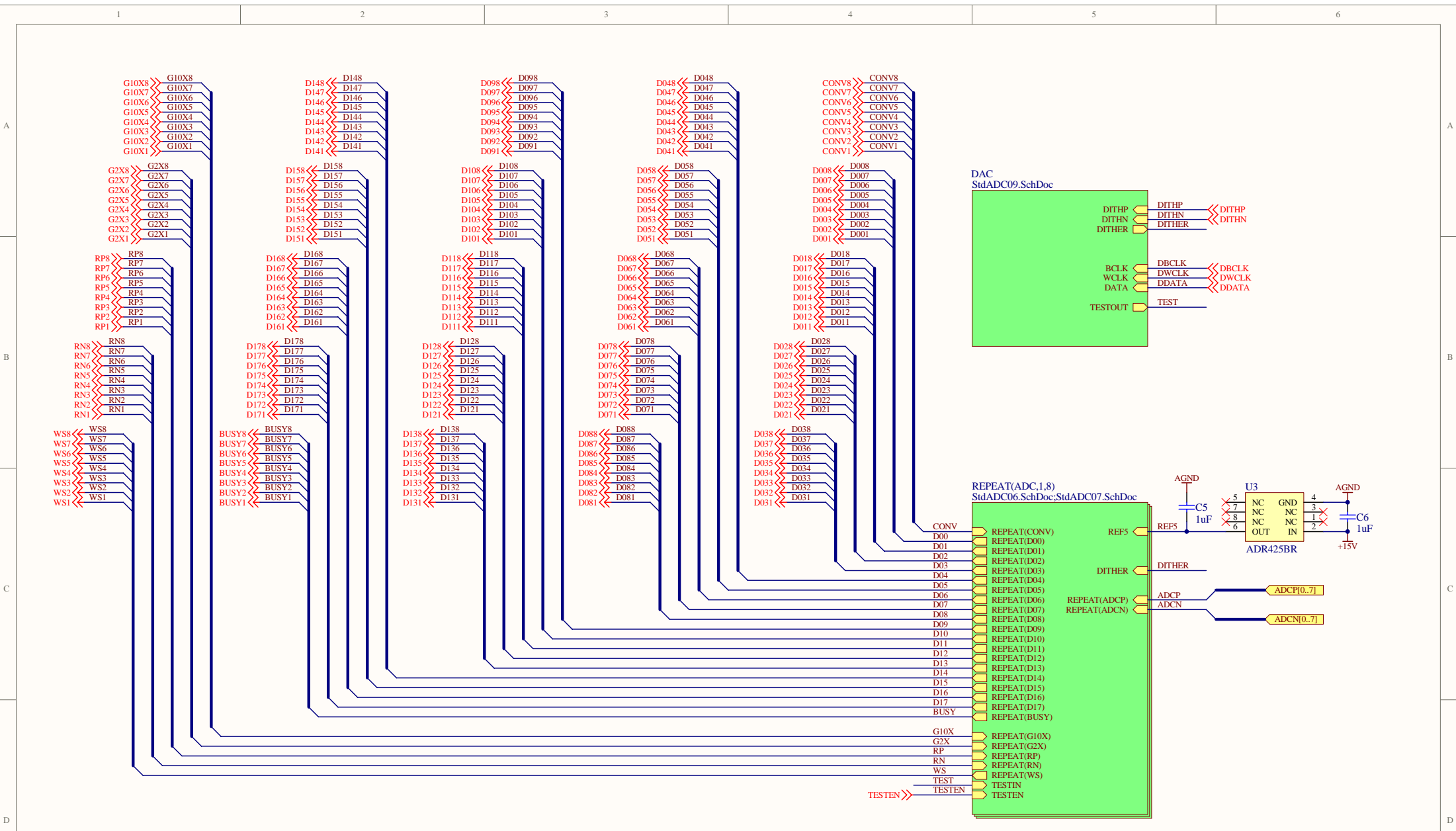
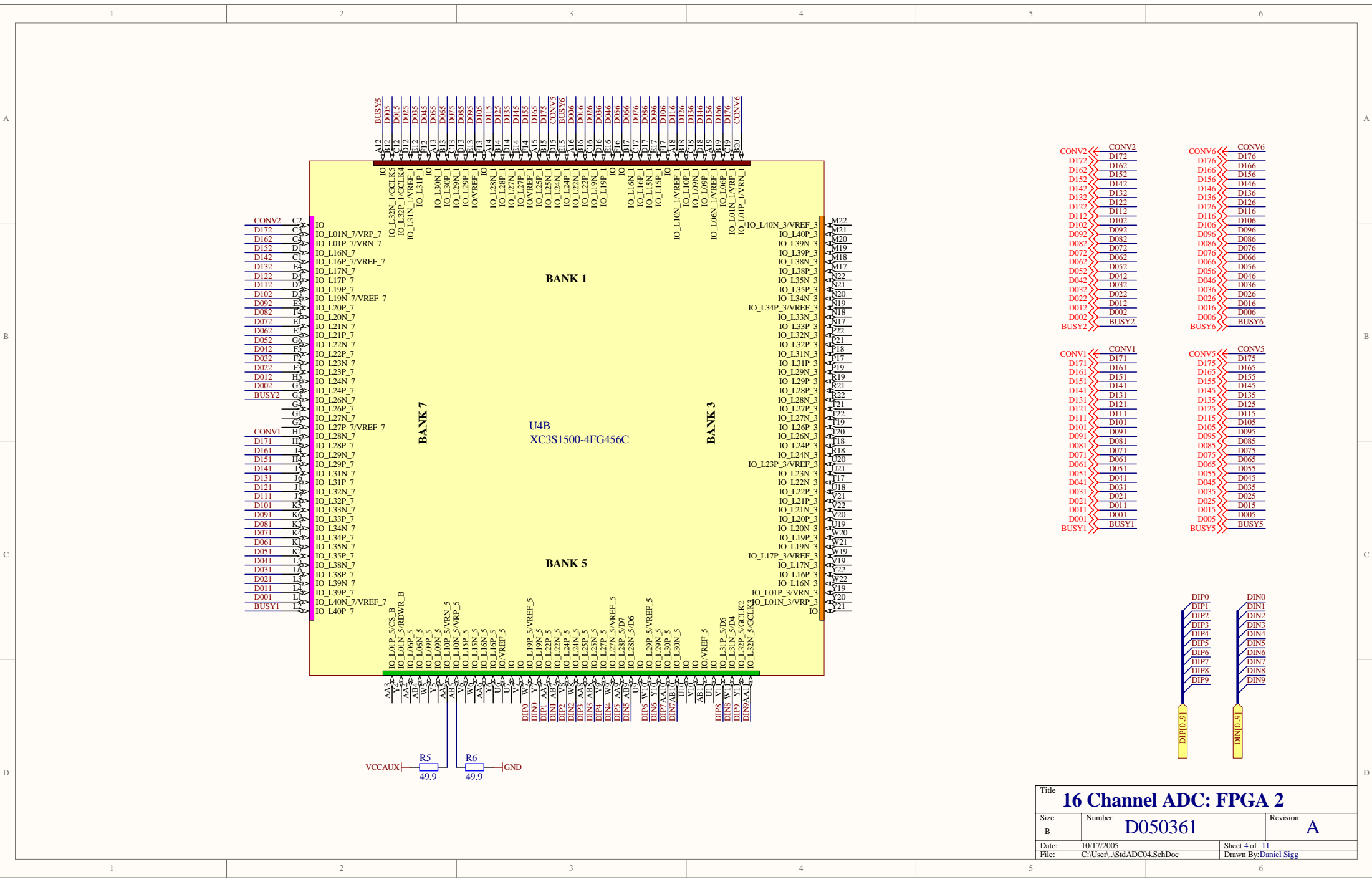


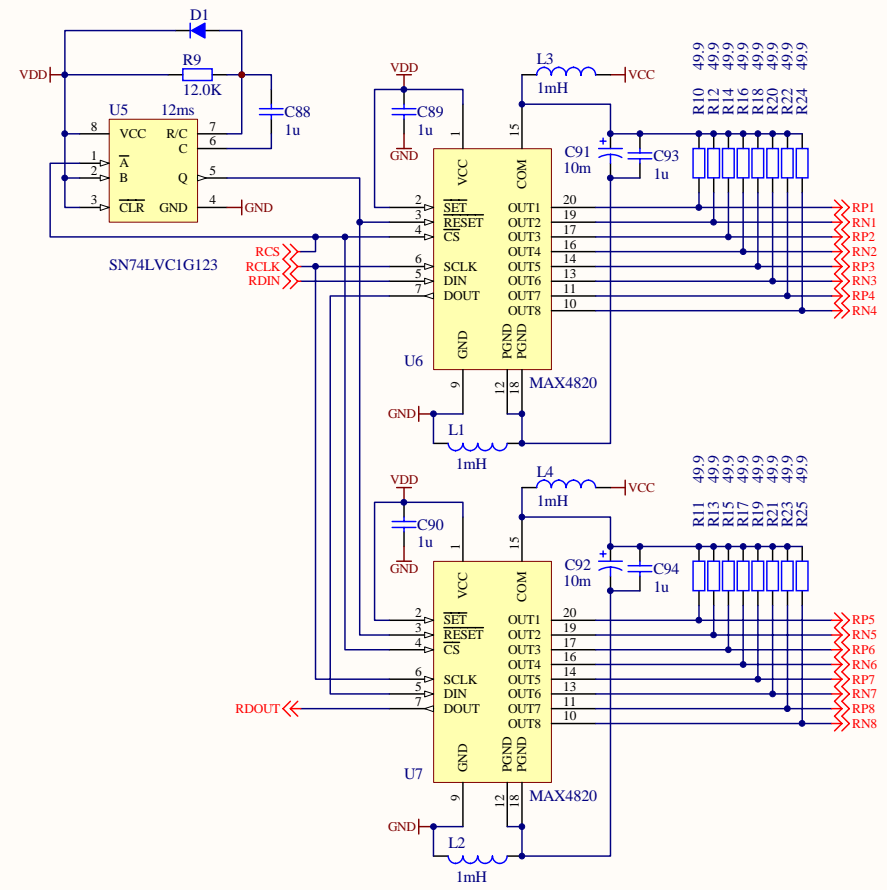
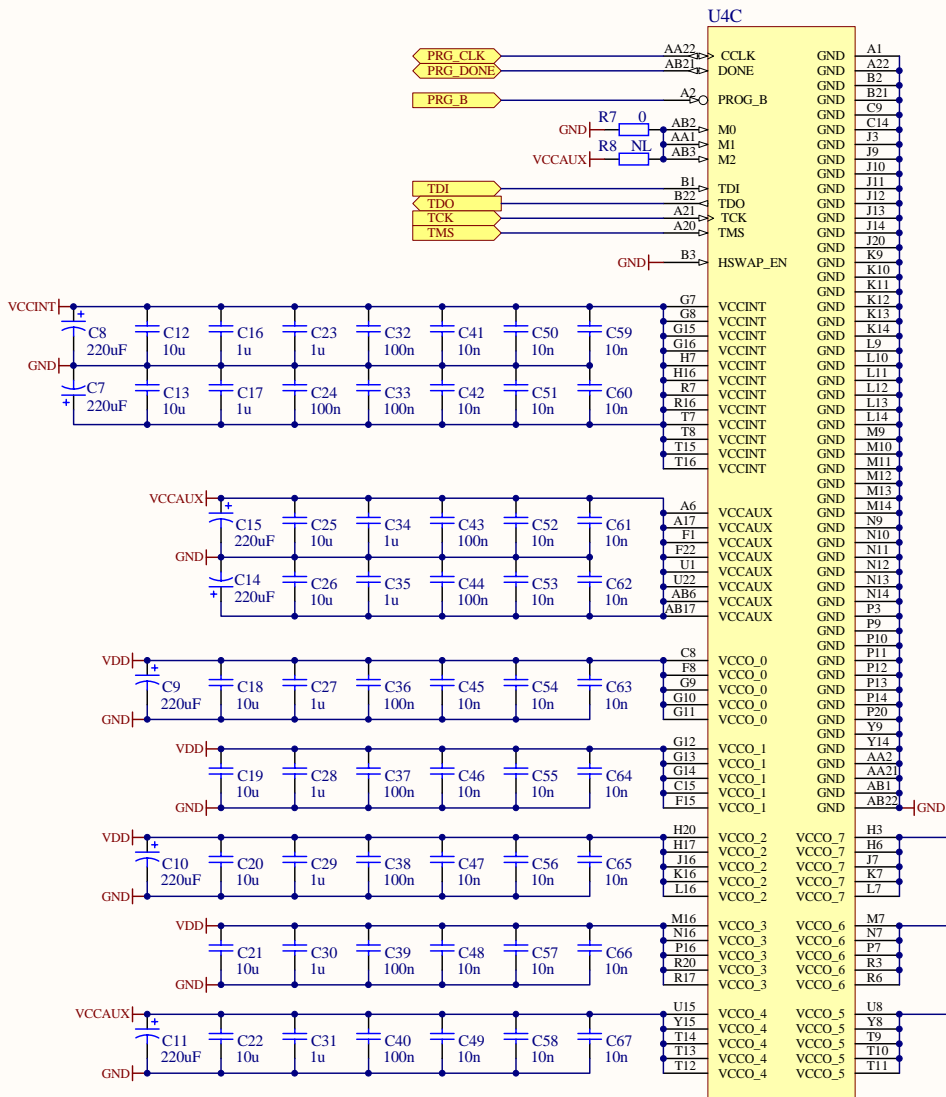
Title		
16 Channel ADC: Block Diagram		
Size B	Number	Revision
	D050361	A
Date:	10/17/2005	Sheet 1 of 11
File:	C:\User\...\StdADC01.SchDoc	Drawn By: Daniel Sigg



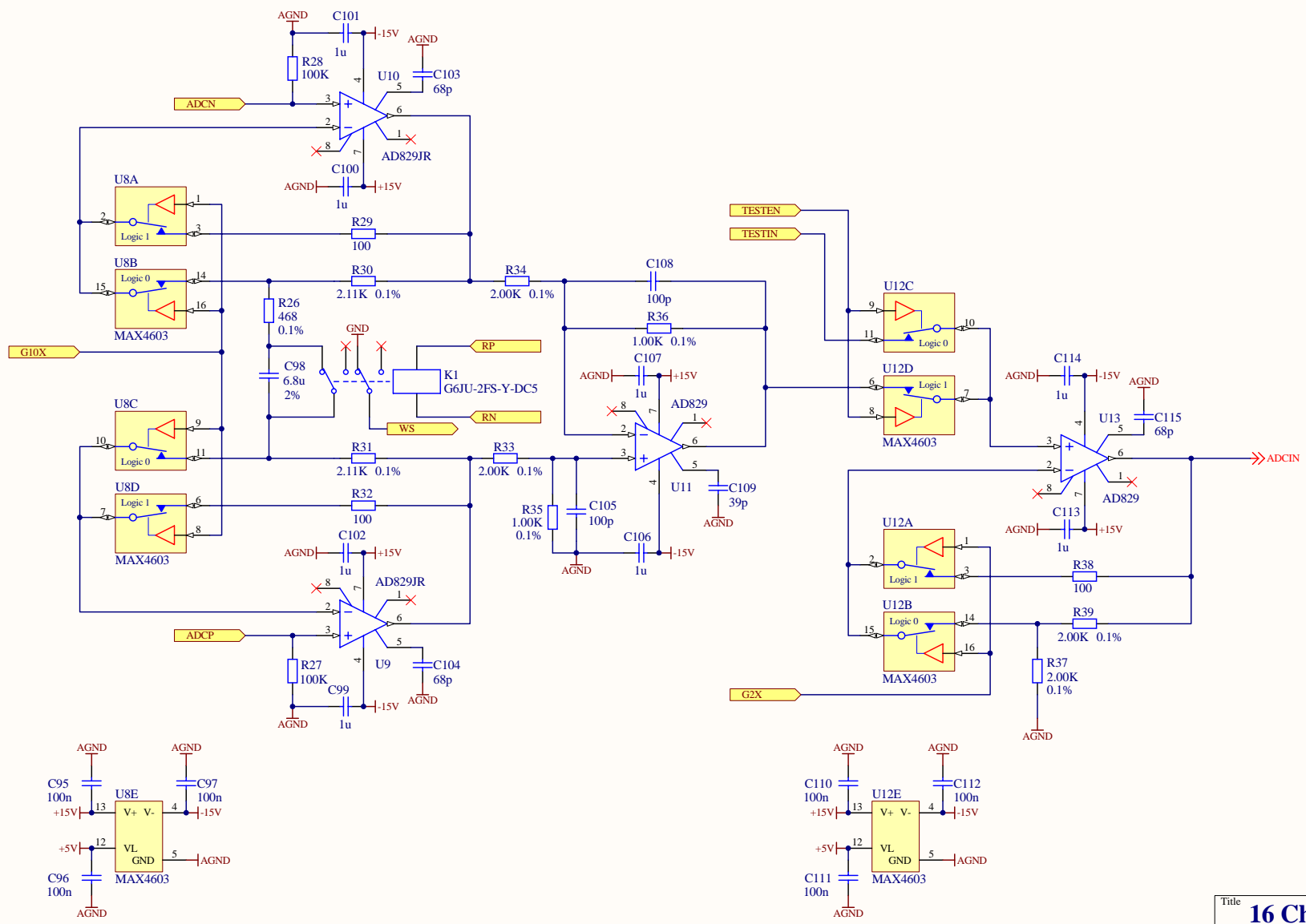
Title		
16 Channel ADC: 8 Channel Unit		
Size	Number	Revision
B	D050361	A
Date:	10/17/2005	Sheet 2 of 11
File:	C:\User\...\StdADC02.SchDoc	Drawn By: Daniel Sigg



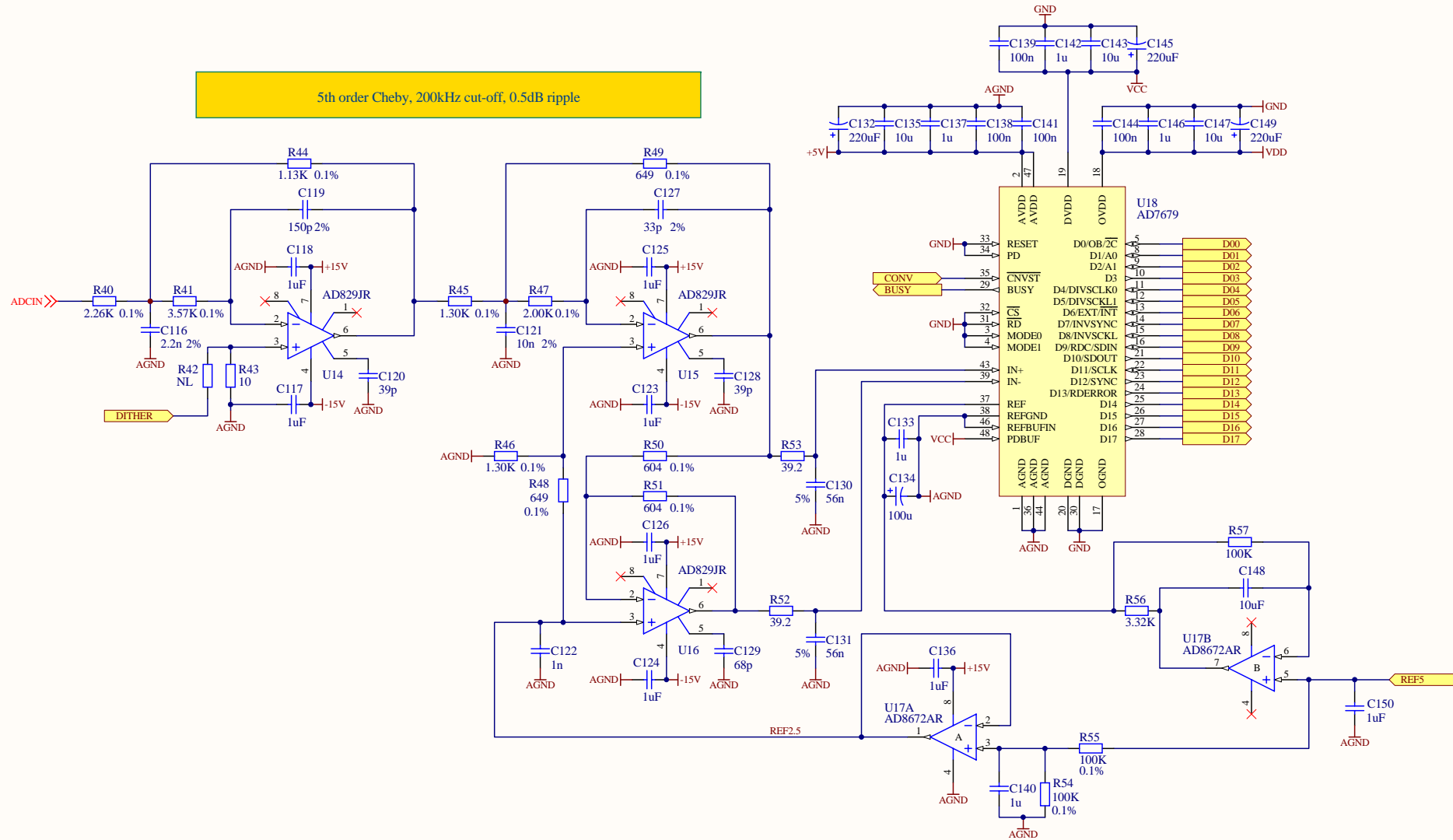
Title		
16 Channel ADC: FPGA 2		
Size	Number	Revision
B	D050361	A
Date:	10/17/2005	Sheet 4 of 11
File:	C:\User\...\StdADC04.SchDoc	Drawn By: Daniel Sigg



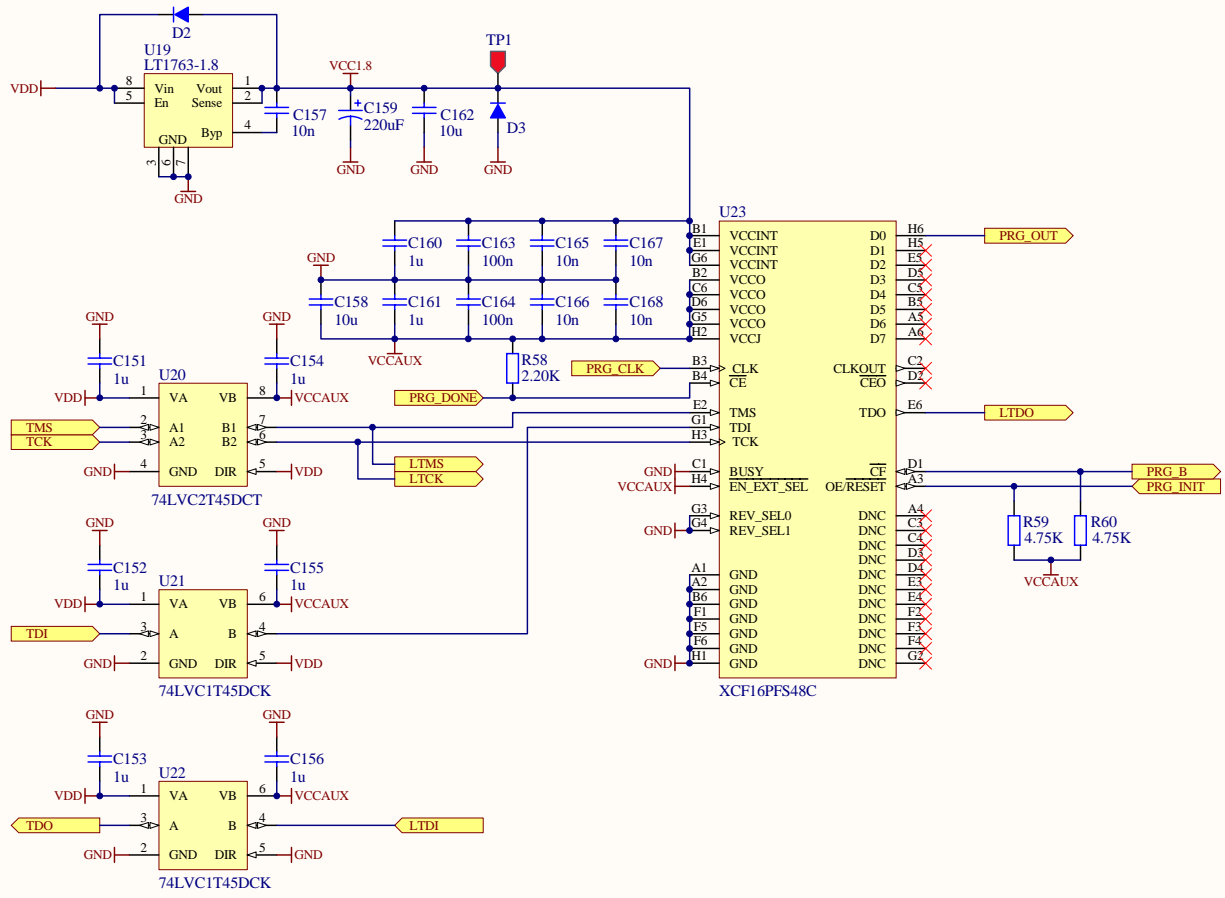
Title		
16 Channel ADC: FPGA 3		
Size B	Number	Revision
	D050361	A
Date:	10/17/2005	Sheet 5 of 11
File:	C:\User\...\StdADC05.SchDoc	Drawn By: Daniel Sigg



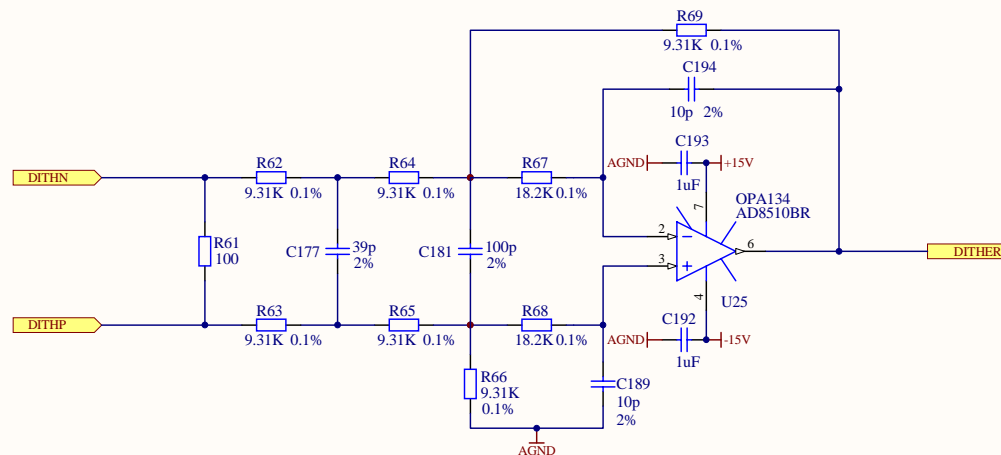
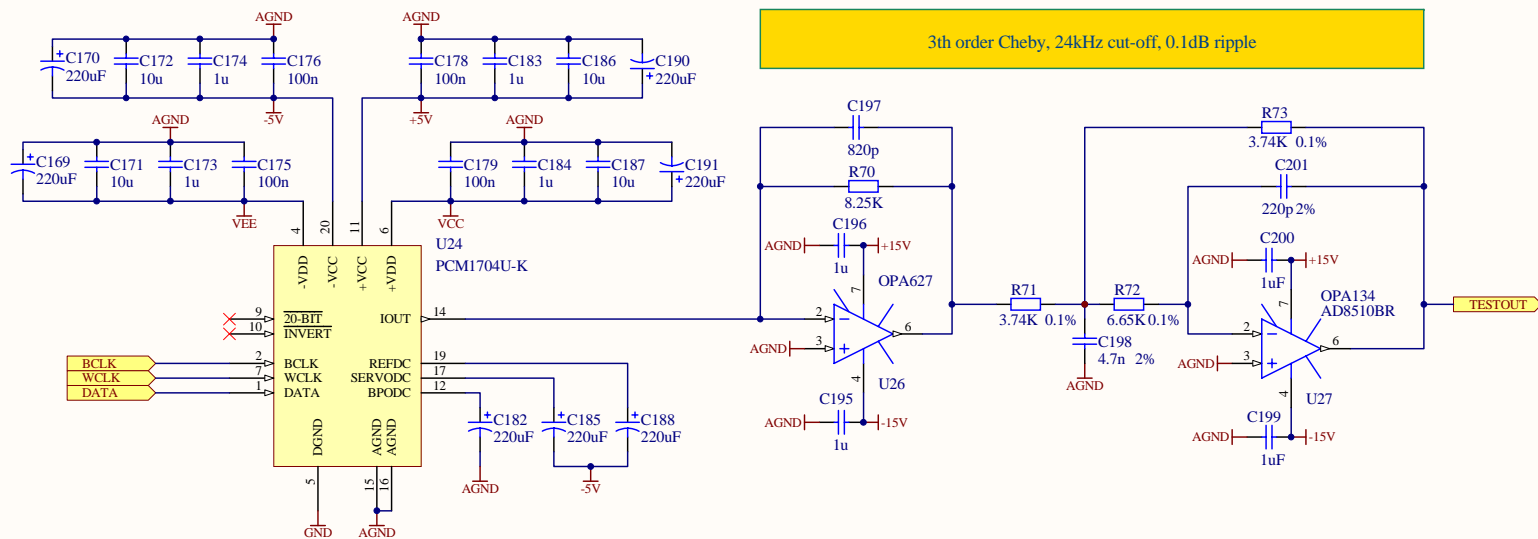
Title		
16 Channel ADC: ADC Front-end		
Size	Number	Revision
B	D050361	A
Date:	10/17/2005	Sheet 6 of 11
File:	C:\User\...\StdADC06.SchDoc	Drawn By: Daniel Sigg



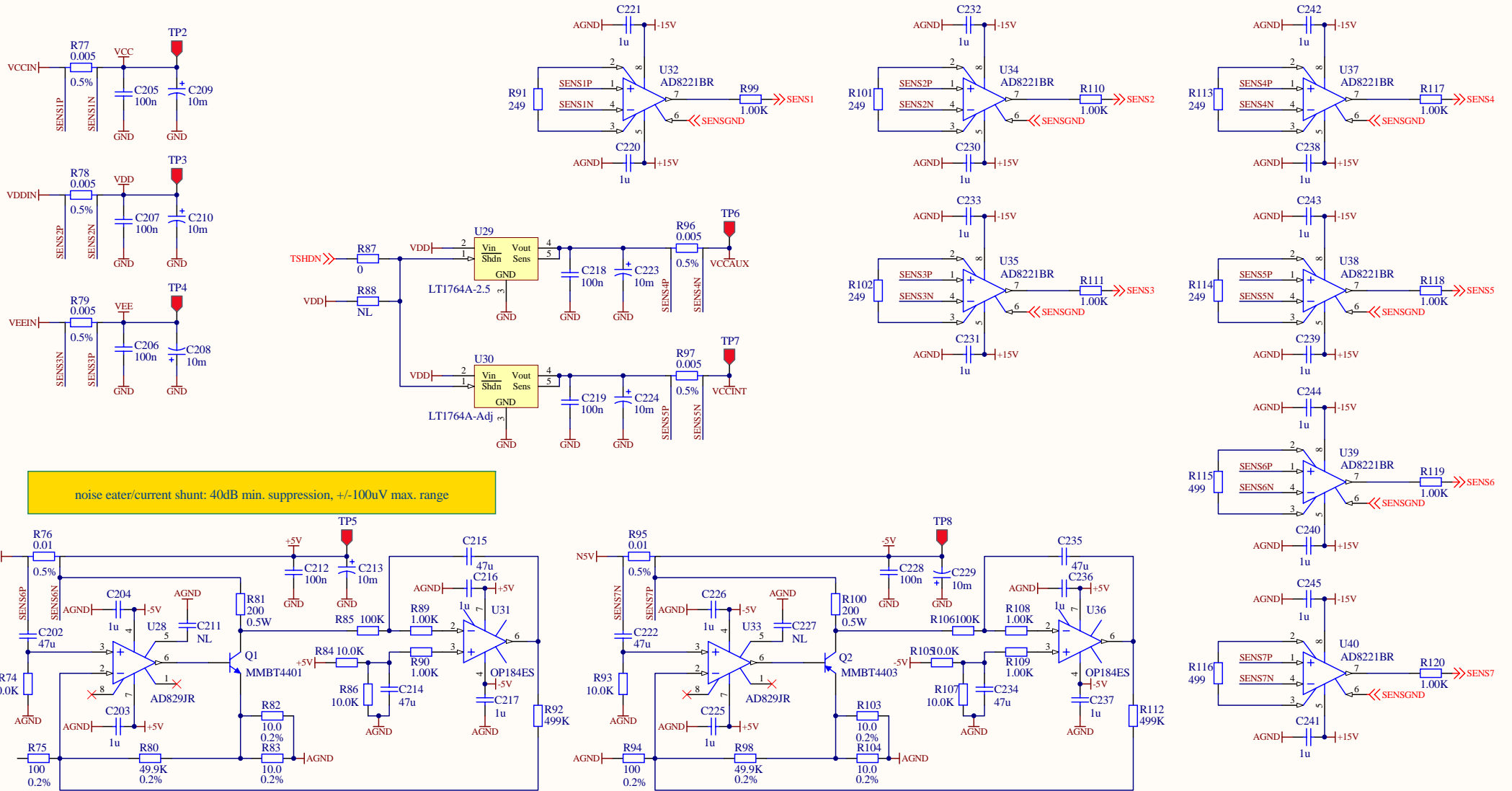
Title		
16 Channel ADC: ADC		
Size B	Number	Revision
	D050361	A
Date:	10/17/2005	Sheet 7 of 11
File:	C:\User\...\StdADC07.SchDoc	Drawn By: Daniel Sigg



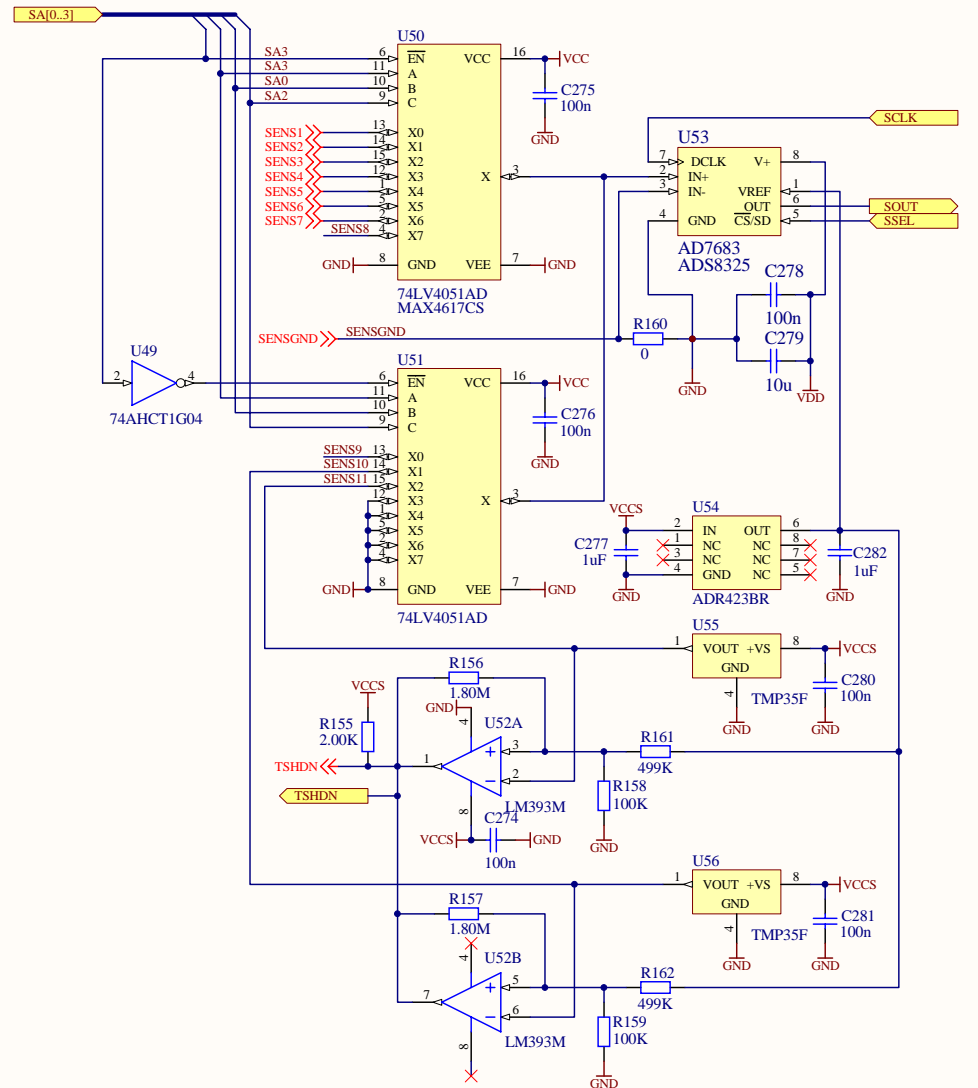
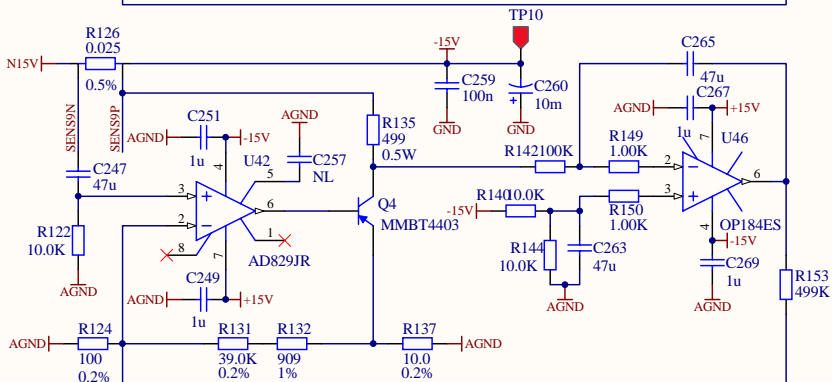
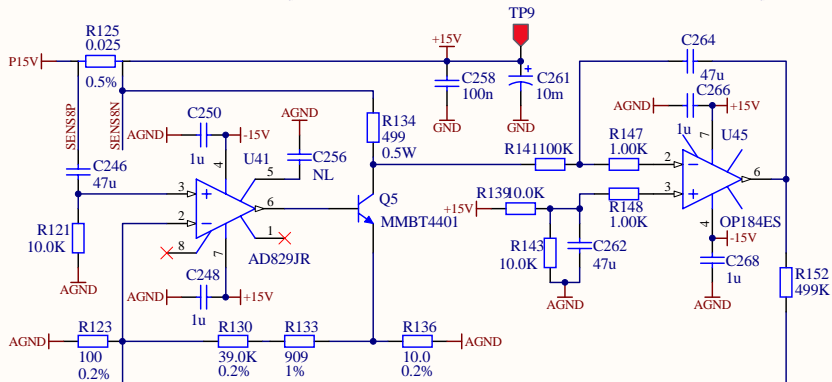
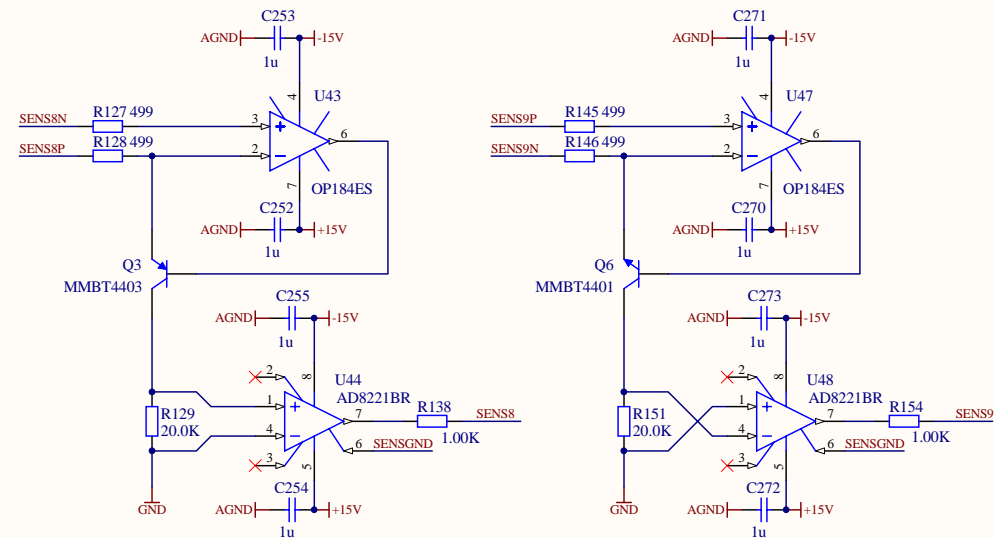
Title		
16 Channel ADC: Flash		
Size	Number	Revision
B	D050361	A
Date:	10/17/2005	Sheet 8 of 11
File:	C:\User\...\StdADC08.SchDoc	Drawn By: Daniel Sigg



Title		
16 Channel ADC: DAC		
Size	Number	Revision
B	D050361	A
Date:	10/17/2005	Sheet 9 of 11
File:	C:\User\...\StdADC09.SchDoc	Drawn By: Daniel Sigg



Title		
16 Channel ADC: Power		
Size	Number	Revision
B	D050361	A
Date:	10/17/2005	Sheet 10 of 11
File:	C:\User\...\StdADC10.SchDoc	Drawn By: Daniel Sigg



Title		
16 Channel ADC: Power		
Size	Number	Revision
B	D050361	A
Date:	10/17/2005	Sheet 1 of 11
File:	C:\User\...\StdADC11.SchDoc	Drawn By: Daniel Sigg