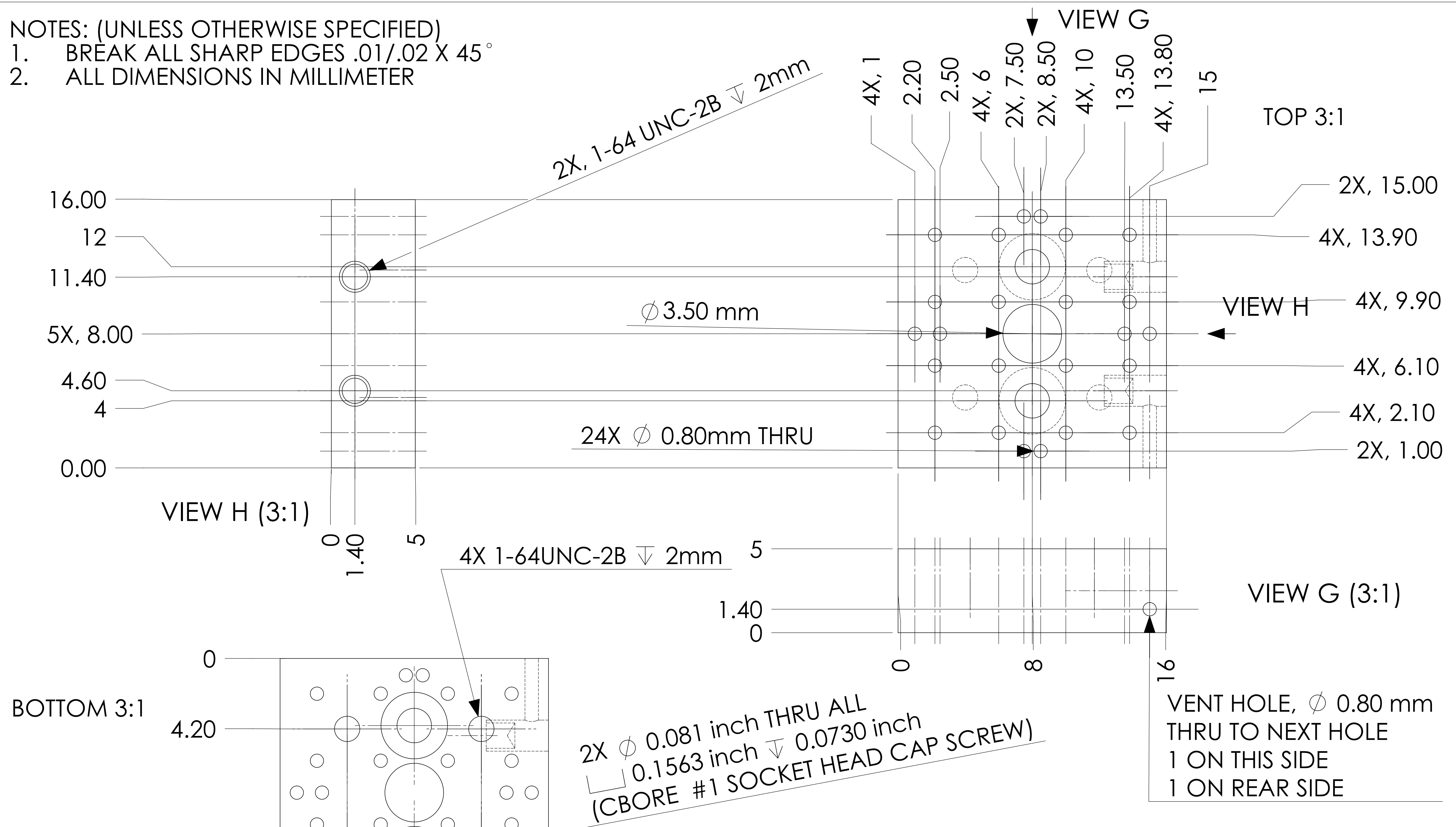


- NOTES: (UNLESS OTHERWISE SPECIFIED)
- BREAK ALL SHARP EDGES .01/.02 X 45°
 - ALL DIMENSIONS IN MILLIMETER



UNLESS OTHERWISE SPECIFIED:		NAME	DATE	Massachusetts Institute of Technology LIGO project	
DIMENSIONS ARE IN MILLIMETERS TOLERANCES ARE: \pm 0.05mm ANGULAR: \pm .25°		DRAWN E.INNERHOFER	10/07/2005	TITLE: OSEMbase	
INTERPRET GEOMETRIC TOLERANCING PER:		CHECKED		SIZE	
MATERIAL ALUMINUM		ENG APPR.		DWG. NO. LIGO-D050381-00-R	
FINISH 32		MFG APPR.		REV	
DO NOT SCALE DRAWING		Q.A.		SCALE: 3:1	
		COMMENTS:		SHEET 4 OF 7	