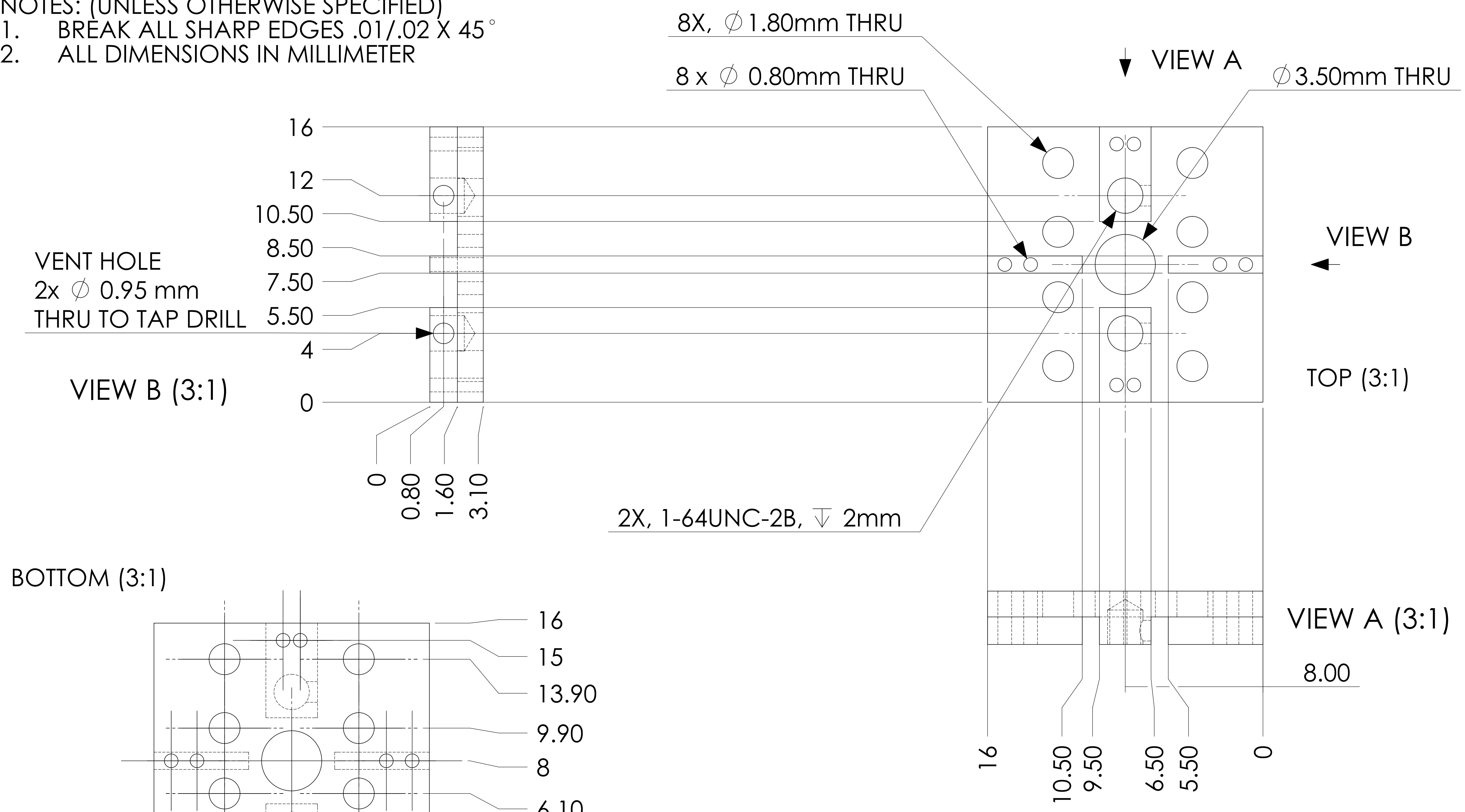


- NOTES: (UNLESS OTHERWISE SPECIFIED)
- BREAK ALL SHARP EDGES .01/.02 X 45°
 - ALL DIMENSIONS IN MILLIMETER



UNLESS OTHERWISE SPECIFIED:	NAME	DATE	Massachusetts Institute of Technology LIGO project	
DIMENSIONS ARE IN MILLIMETERS TOLERANCES ARE: \pm 0.05mm ANGULAR: \pm .25°	DRAWN	E.INNERHOFER	10/07/2005	TITLE: OSEMspacer
	CHECKED			
	ENG APPR.			
INTERPRET GEOMETRIC TOLERANCING PER:	Q.A.			SIZE DWG. NO. REV A LIGO-D050382-00-R
MATERIAL ALUMINUM	COMMENTS:			
FINISH 32/				SCALE: 3:1 SHEET 1 OF 7
DO NOT SCALE DRAWING				