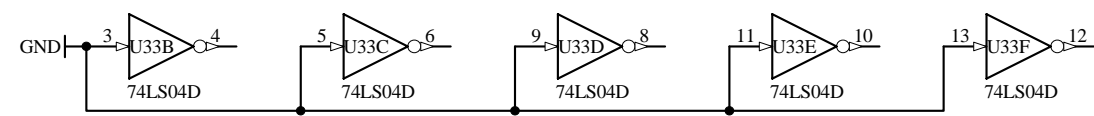
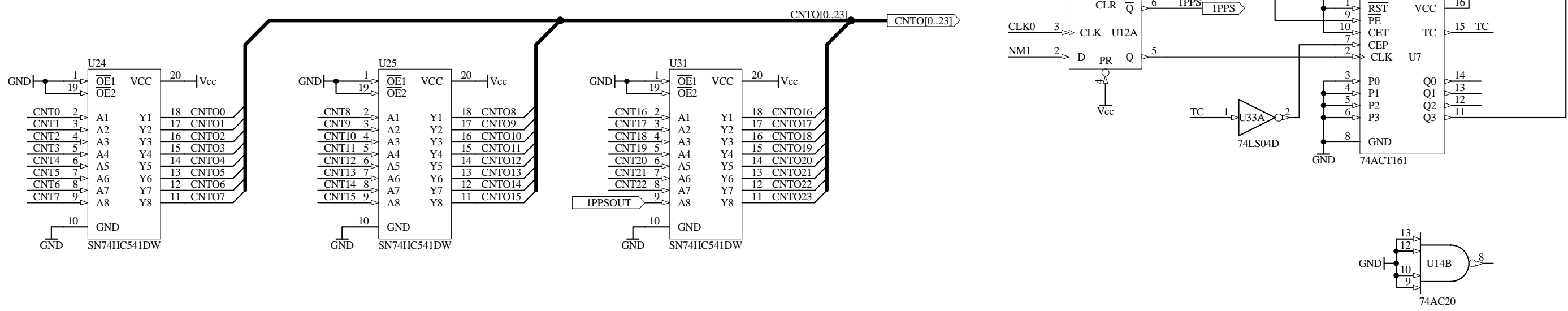
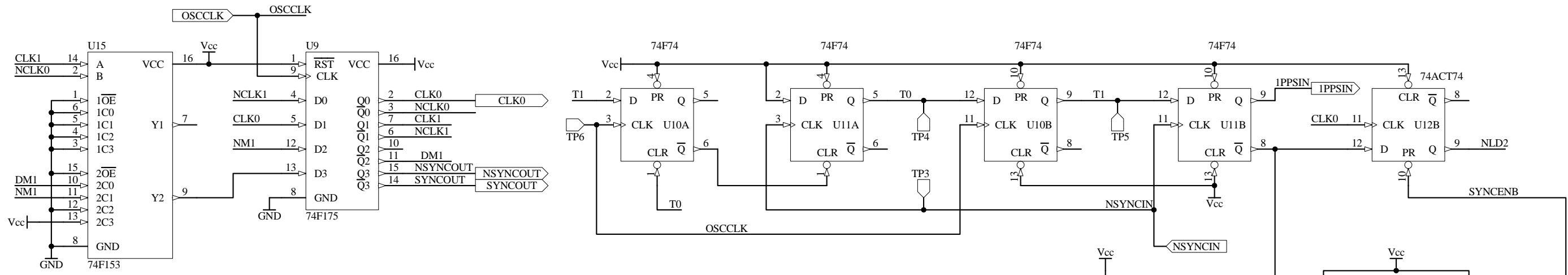
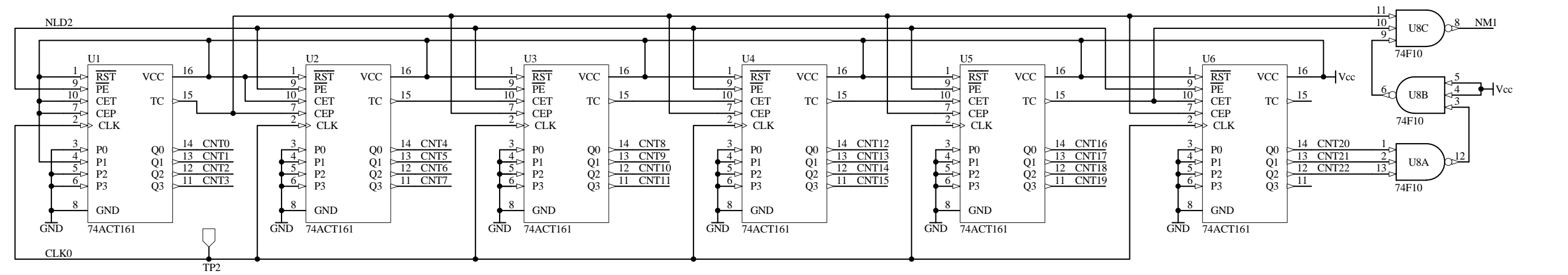
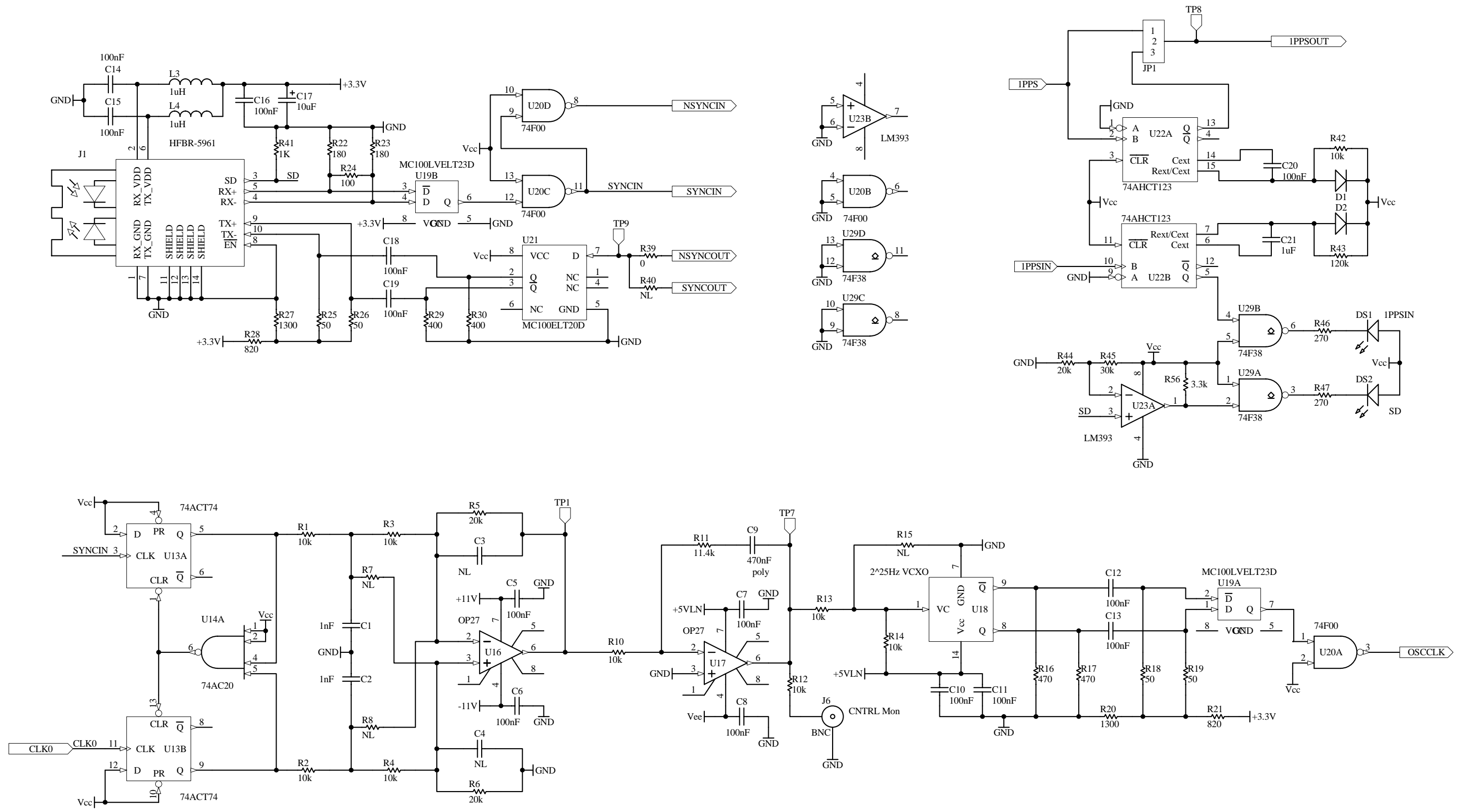


Title		LIGO Laboratory California Institute of Technology Massachusetts Institute of Technology		LIGO	
Size: B	DCC Number: D050442	SCH / PCB Revision: A	Engineer: Joshua R. Myers Paul Schwinberg	Date: 2/8/2006	Time: 8:24:29 AM
File: Z:\jmyers\LHOBoards\LASTI\LASTI Timing Slave\LTS0.SchDoc				Sheet 1 of 7	



Title <b>LASTI Timing System Slave</b>		LIGO Laboratory California Institute of Technology Massachusetts Institute of Technology		LIGO	
Size: B	DCC Number: D050442	SCH / PCB Revision: A	Joshua R. Myers Engineer	Date: 2/8/2006	
File: Z:\jmyers\LHOBoards\LASTI\LASTI Timing Slave\LTS1.SchDoc			Paul Schwinberg		Time: 8:24:29 AM
					Sheet 2 of 7



A

B

C

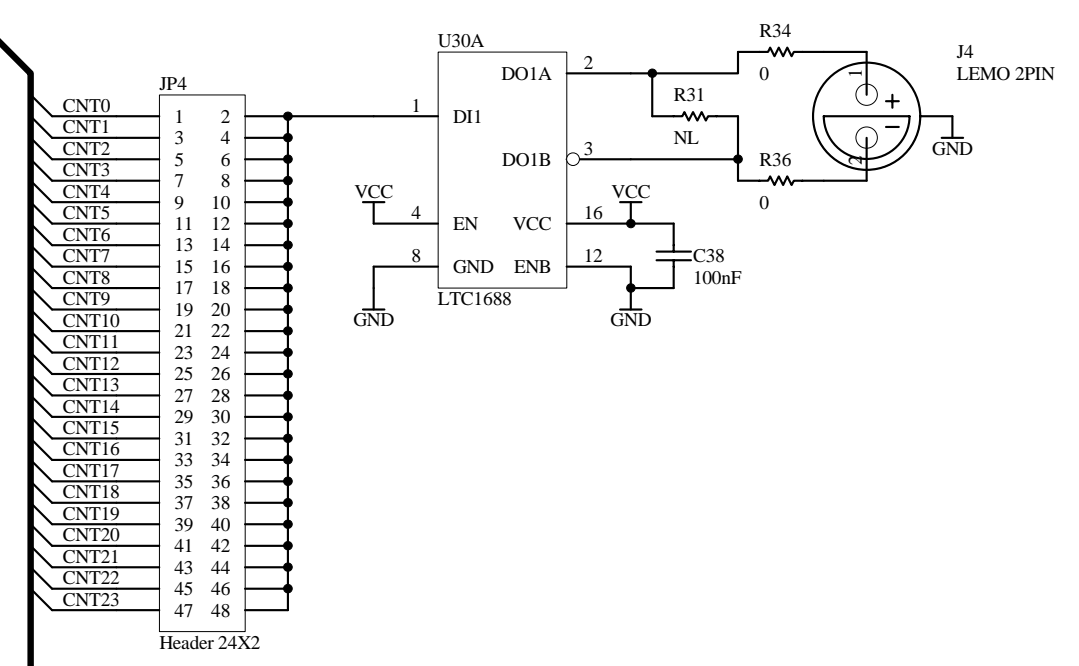
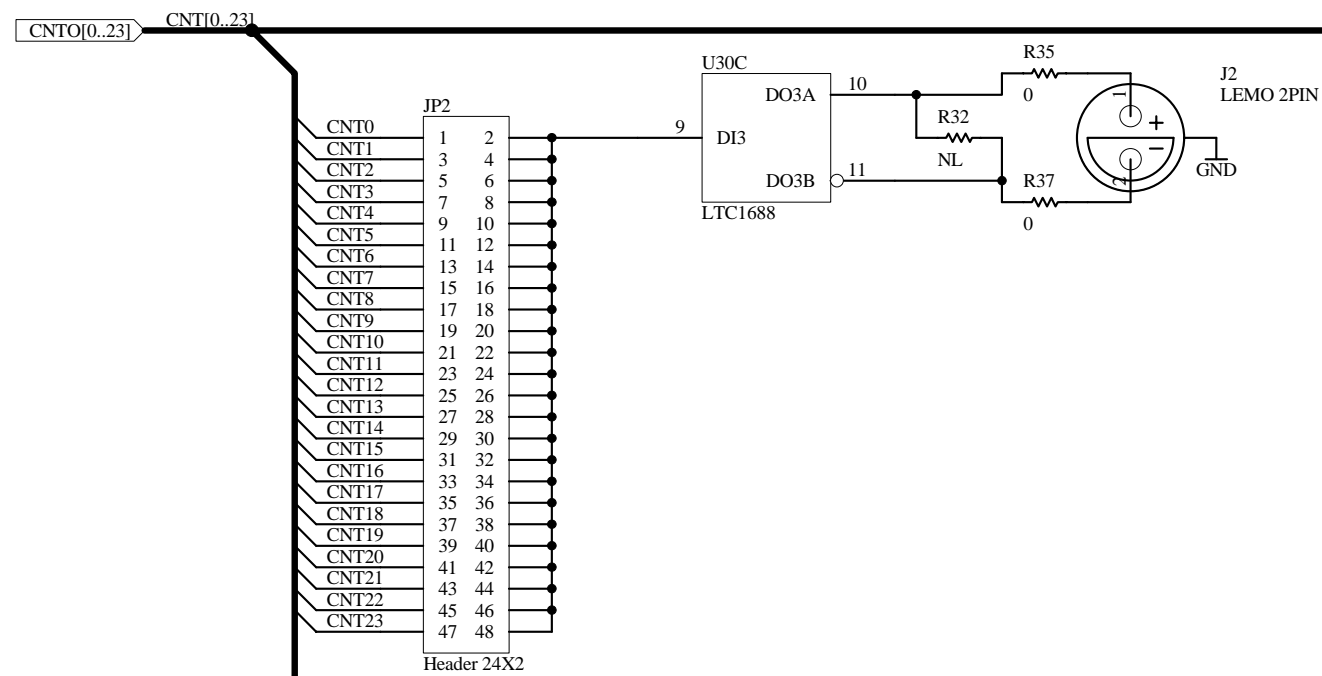
D

A

B

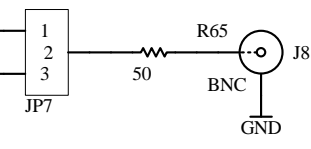
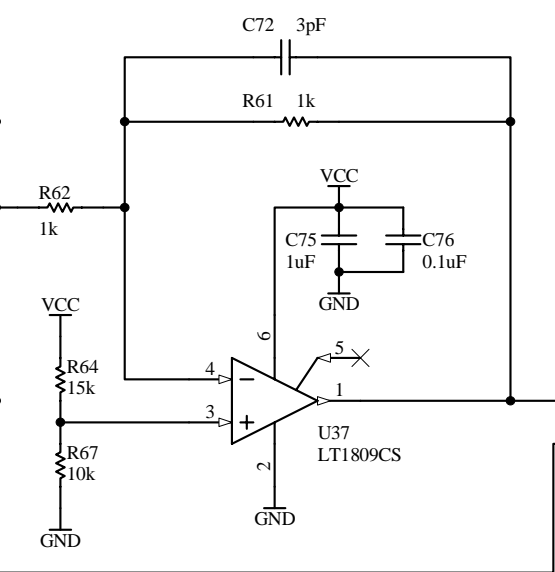
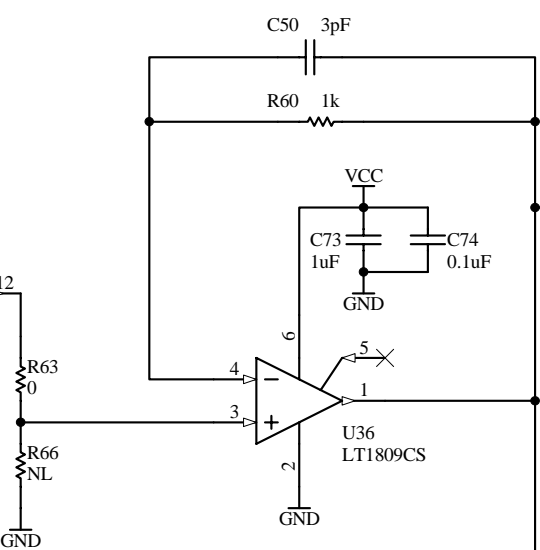
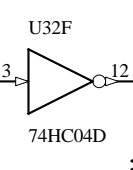
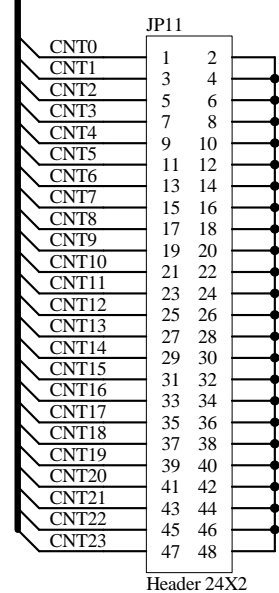
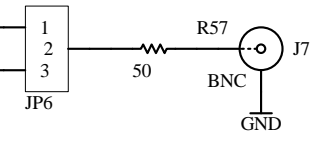
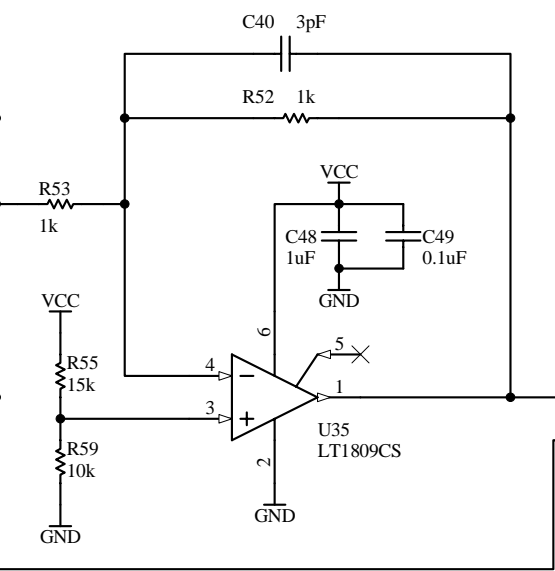
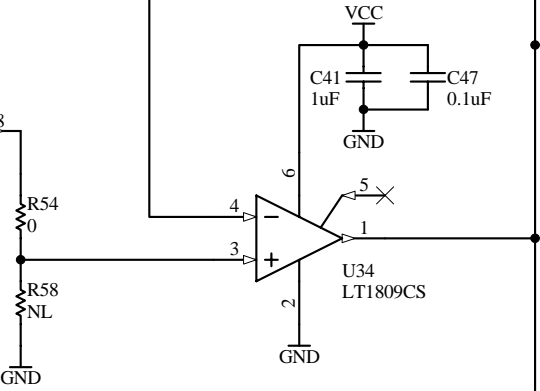
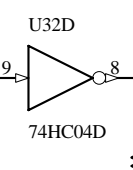
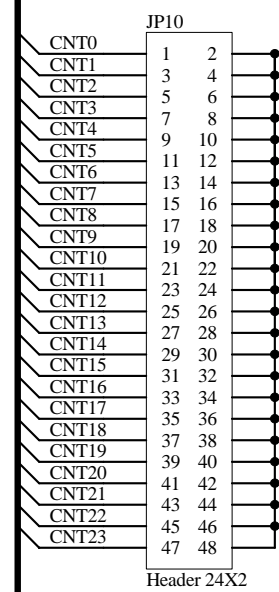
C

D



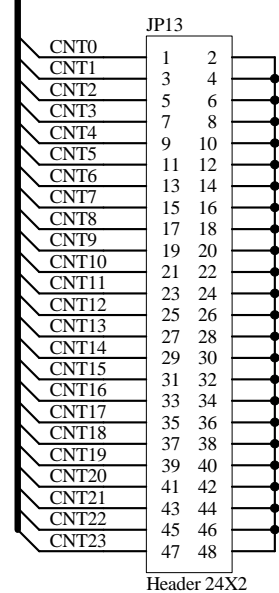
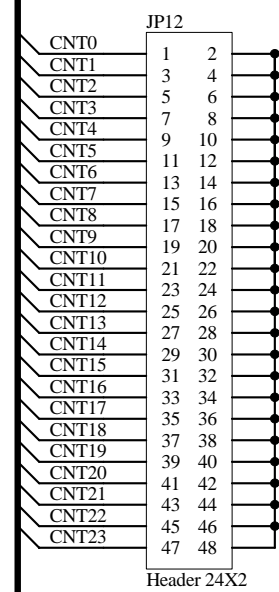
CNT0	4 MHz
CNT1	2 MHz
CNT2	1 MHz
CNT3	512 kHz
CNT4	256 kHz
CNT5	128 kHz
CNT6	64 kHz
CNT7	32 kHz
CNT8	16 kHz
CNT9	8 kHz
CNT10	4 kHz
CNT11	2 kHz
CNT12	1 kHz
CNT13	512 Hz
CNT14	256 Hz
CNT15	128 Hz
CNT16	64 Hz
CNT17	32 Hz
CNT18	16 Hz
CNT19	8 Hz
CNT20	4 Hz
CNT21	2 Hz
CNT22	1 Hz
CNT23	1 PPS

CNT0[0..23] CNT1[0..23]



CNT0	4 MHz
CNT1	2 MHz
CNT2	1 MHz
CNT3	512 kHz
CNT4	256 kHz
CNT5	128 kHz
CNT6	64 kHz
CNT7	32 kHz
CNT8	16 kHz
CNT9	8 kHz
CNT10	4 kHz
CNT11	2 kHz
CNT12	1 kHz
CNT13	512 Hz
CNT14	256 Hz
CNT15	128 Hz
CNT16	64 Hz
CNT17	32 Hz
CNT18	16 Hz
CNT19	8 Hz
CNT20	4 Hz
CNT21	2 Hz
CNT22	1 Hz
CNT23	1 PPS

CNT0[0..23] CNT1[0..23]



CNT0	4 MHz
CNT1	2 MHz
CNT2	1 MHz
CNT3	512 kHz
CNT4	256 kHz
CNT5	128 kHz
CNT6	64 kHz
CNT7	32 kHz
CNT8	16 kHz
CNT9	8 kHz
CNT10	4 kHz
CNT11	2 kHz
CNT12	1 kHz
CNT13	512 Hz
CNT14	256 Hz
CNT15	128 Hz
CNT16	64 Hz
CNT17	32 Hz
CNT18	16 Hz
CNT19	8 Hz
CNT20	4 Hz
CNT21	2 Hz
CNT22	1 Hz
CNT23	1 PPS

