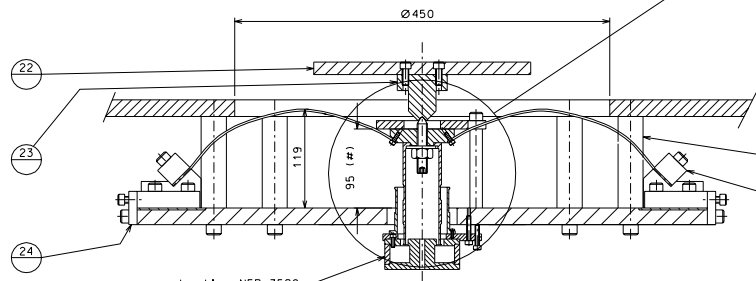
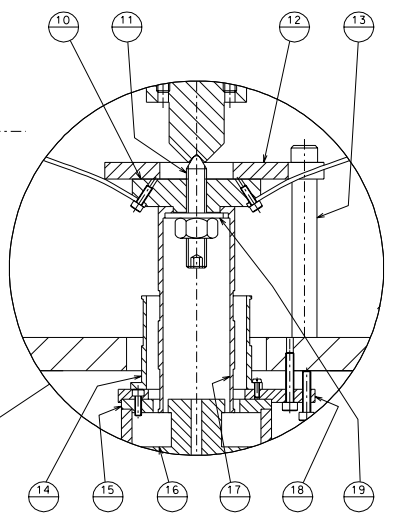
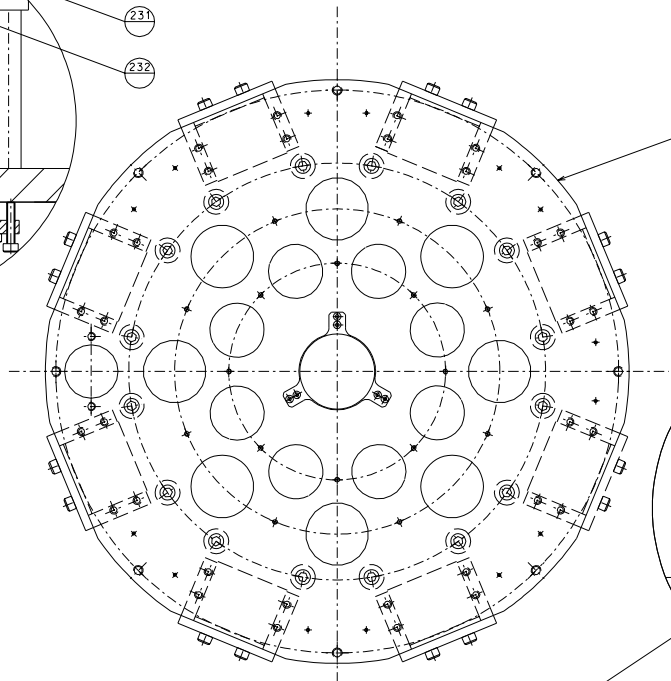
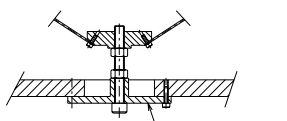


section B-B

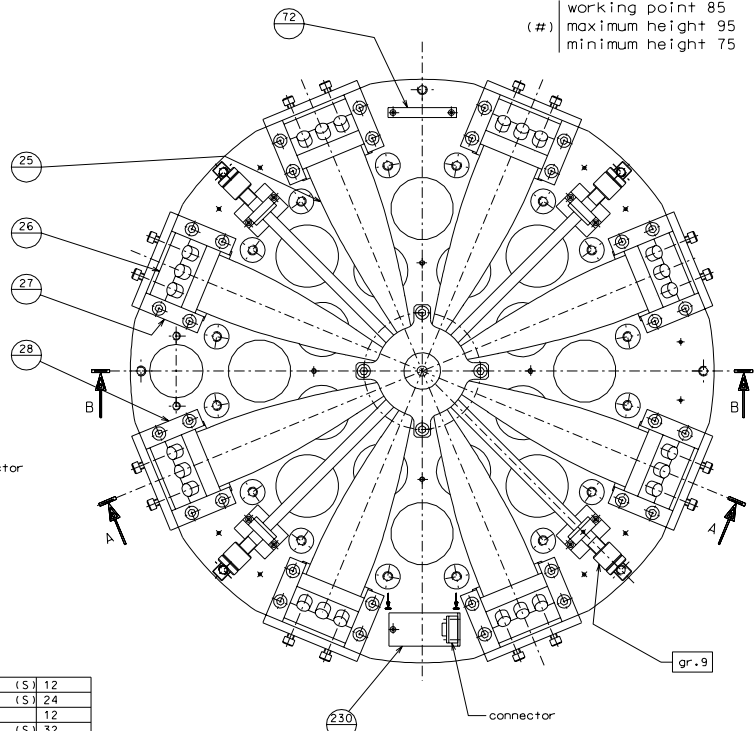


bunting NEB 3590 section A-A in position of maximum height

working point 85
maximum height 95
minimum height 75



Mounting tool



Note: Press fit of 10 into 17 after wiring disassemble yoke 16 to reach screw. Use only special wrench to lock unlock nut.
Note: Mount connector on opposite side on half of the filters to allow for cabling from the side of the spring box



Accu-Glass 9D-PKS 10440
9 pin sub-D female connector
on stand

- Connection convention:
- 1 LVDT drive +
 - 6 LVDT drive -
 - 2 LVDT sense -
 - 7 LVDT sense +
 - 3-4 act. coil -
 - 8-9 act. coil +
 - 5 shields

detail	type	n° piec.
14-18	flat head M3x8 (S)	12
18-9	tommy head M5x30 (S)	24
18-15	tommy head M4x12 (S)	12
25-10	tommy head M4x12 (S)	32
22-13-9	tommy head M10x25 (S)	16
22-23	tommy head M8x20 (S)	12
9-20	tommy head M12x40 (S)	64
21-26	tommy head M10x40 (S)	96
27-28-9	tommy head M10x35 (S)	128
24-26	tommy head M8x20 (S)	64
24-9	tommy head M10x25 (S)	64

Screw's table

ref.	desc	date	signature
modified working point blades		17-06-06	
changed position connector		25-05-06	
added connection and details		11-05-06	
modified detail 9		06-03-06	

ref.	desc	ref.	desc
22	207 connection table	gr.9	167 balance
21	123 blade clamp plate	233	168 washer
20	124 filter's struct. column	232	168 drilled screw
19	124 washer	231	168 spacer pipe
18	125 coil adjust. plate	230	124 support connector
17	126 LVDT act. coils	77	121 mounting tool
16	126 magnet yoke back	72	123 electrical conn. bar
15	125 magnet yoke front	28	123 guide right
14	125 LVDT coil	27	123 guide left
13	122 end-stop column	26	123 blade clamp
12	124 end-stop plate	25	120 GAS blade
11	124 central screw	24	123 tuning pusher
10	168 blade central support	23	122 connection nose
9	121 filter main platform		

designed by: R. De Salvo
drawn by: G. Gennaro-PROMECC

LIGO PROJECT

1116 HAM-OPTICAL BENCH
FILTER GR. 1

date: 10-12-04
LIGO-0051106-05-D
sheet: 1/3
A. 1